

**BONENG**



**博能** PS行星回转齿轮箱  
PS Planetary Slewing Gearbox

06 / 2017

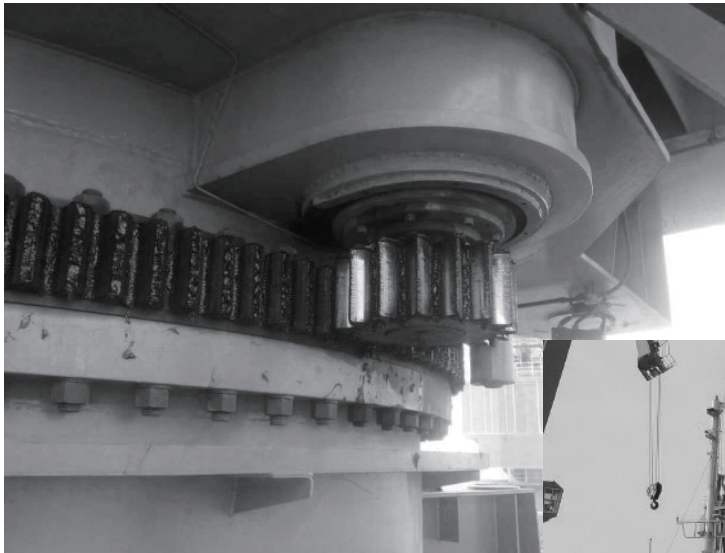
# PS行星回转齿轮箱

## PS Planetary Slewing Gearbox



- ◆ PS行星回转齿轮箱是回转机构的理想驱动装置。结构紧凑，性能良好。在繁重工作条件和恶劣环境下能提供卓越的品质和性能，并经过过考验。
  - ◆ 太阳轮、行星轮均采用优质合金钢渗碳淬火处理，内齿圈采用优质合金钢表面硬化处理，所有齿轮均磨齿加工。
  - ◆ 行星架和内齿圈连接法兰均采用球墨铸铁材料，且均通过计算机模拟变形和应力分析等优化设计。
  - ◆ 所有轴承采用知名品牌，轴承系统承载能力高，安全裕度大。
  - ◆ 输入、输出采用径向骨架油封，输出标准结构为双油封设计，在复杂和恶劣的工作环境中具有更高的安全性和更长的使用寿命。
  - ◆ 高度的模块化设计，批量生产更加经济，有效提高供货速度。
  - ◆ 两级、三级和四级行星齿轮传动设计，速比覆盖范围广。
  - ◆ 运转噪音低，传动效率高，使用寿命长。
  - ◆ 安装简单，维护方便。
- 
- ◆ PS planetary slewing gearbox is the ideal drive for the rotation mechanism. Compact structure, good performance. Boneng PS planetary slewing gearbox have proved highly successful under extreme bad operating conditions.
  - ◆ Sun and planet wheels material is excellent alloy steel and processed by carburization and quenching. Internal gear wheel material is excellent alloy steel and processed by hardening. All gears grinding.
  - ◆ The connection flange of planet carrier and internal gear wheel are made of ductile graphite iron, and are optimized by computer simulation and stress analysis.
  - ◆ All bearings are from famous brand. The bearings have high loading support and safety.
  - ◆ The input and output are protected with radial skeleton seals, the output standard structure is designed for double seals, in complex and harsh working environment with higher safety and longer service life.
  - ◆ High modular design. Volume production is more economic and speeds up the delivery period.
  - ◆ 2 stage, 3 stage and 4 stage design and wide range of ratio.
  - ◆ Low noise, high efficiency and long operation life.
  - ◆ Easy mounting and maintenance.





港口起重机/Harbour cranes

甲板起重机/Deck cranes

海上平台起重机/Offshore cranes

随车吊和汽车吊/Mobile cranes

拖车和救险车/Trailers and rescue vehicles

旋挖钻和履带式起重机/Rotary drilling and crawling cranes

建筑起重机和输送设备/Construction cranes and conveyors

集装箱龙门吊/Container gantries

装载和转载起重机/Loading and transshipment cranes

风力发电的偏航变桨机构/Wind power yaw pitching mechanism

博能公司全系列产品采用独创的模块化设计，零部件通用最大化，具有量产优势，标准零配件成本低，供货周期短，整个产品系列均采用高制造标准，保证了极好的承载能力和工作可靠性。

All series products of Boneng use the original modular design, parts general maximization, it has advantage of mass production, the standard parts of low costs, short delivery cycle. The whole product series adopt high manufacturing standards to ensure the excellent carrying capacity and working reliability.

## 注意事项！必须严格遵守以下各项！

Note: You must conform to the following instructions

- ◆ 样本中的结构示意图、外形图及其他附图只属范例，无严格比例要求。(未注尺寸单位均为mm)。
- ◆ 所注重量仅为平均值，并不具有约束力。
- ◆ 为防止意外事故发生，所有旋转部件均按照使用者所在国家和地区的安全规范由购置方加罩保护。
- ◆ 试车之前必须认真阅读使用说明书。
- ◆ 齿轮箱在供货时已处于准运行状态，运行前需加注润滑油。
- ◆ 说明书中注油量只作为参考值，实际注油量应以油镜上的标记为准。
- ◆ 润滑油粘度应按齿轮箱使用工况及使用环境温度选取。
- ◆ 只能采用国际知名品牌的润滑油。
- ◆ All the construction figures, dimension drawings and other drawings in the catalogue are only the examples, no strict scale defined.(The unmarked dimension units are mm)
- ◆ The marked weight is only the average value, no binding.
- ◆ To avoid the accident, all the rotation components should be covered by customer according to the local safety laws and regulations.
- ◆ Read the instruction carefully before operating.
- ◆ Fill the lubrication oil before running.
- ◆ The oil quantity in the instructions is only for reference. Actual oil filling level should be the same with the mark on oil glass.
- ◆ Lubrication oil viscosity is depending on the operating condition and the ambient temperature.
- ◆ Only choose the international famous brand lubrication oil.

### 产品功能标识/The functional label of gearbox



油 镜 /Oil glass



通气帽 /Breather



进油孔 /Oil filler



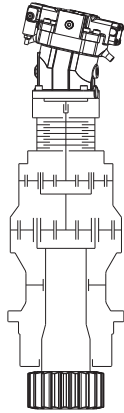
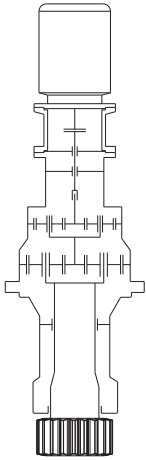
放油孔 /Oil drain

# 目 录 Contents

|        |                                 |    |
|--------|---------------------------------|----|
| ▲..... | 结构简图/Design and Construction    | 01 |
| ▲..... | 型号表示/Type description           | 02 |
| ▲..... | 输入方式/Input modes                | 02 |
| ▲..... | 产品说明/Product explanation        | 03 |
| ▲..... | 选型说明/Type selection explanation | 05 |
| ▲..... | 传动能力/Transmission capacity      | 08 |
| ▲..... | 外形尺寸 安装尺寸/Outline dimensions    | 09 |
| ▲..... | 安装要求/Mounting method            | 11 |
| ▲..... | 润滑说明/Lubrication                | 12 |
| ▲..... | 附件/Accessories                  | 12 |
| ▲..... | 轴端中心孔/End shaft central hole    | 13 |
| ▲..... | 平键与键槽尺寸/Key and Keyway size     | 14 |
| ▲..... | 设计参数表/Parameter table           | 15 |

## 1 结构简图

## 1 Design and Construction



### 二级行星传动齿轮箱

### 2 stage planetary gearbox

额定输出扭矩：11000至150000Nm

Output torques: 11000 to 150000 Nm

公称减速比14至29

Ratio from 14 to 29

电动机/液压马达驱动

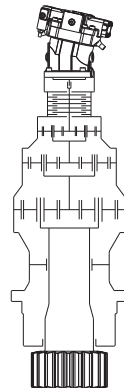
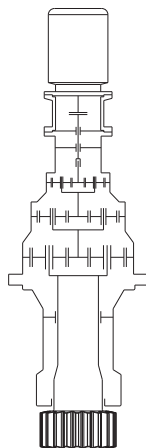
Electric motor/ hydraulic motor drive

法兰A/法兰B安装

Flange A/flange B installation

输入与输出旋转方向相同

Input and output in same direction of rotation



### 三级行星传动齿轮箱

### 3 stage planetary gearbox

额定输出扭矩：25000至230000Nm

Output torques: 25000 to 230000 Nm

公称减速比46至142

Ratio from 46 to 142

电动机/液压马达驱动

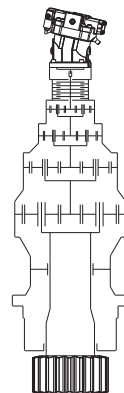
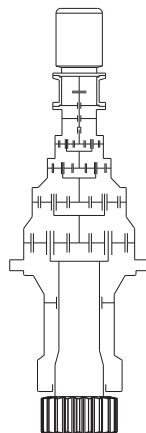
Electric motor/ hydraulic motor drive

法兰A/法兰B安装

Flange A/flange B installation

输入与输出旋转方向相同

Input and output in same direction of rotation



### 四级行星传动齿轮箱

### 4 stage planetary gearbox

额定输出扭矩：45000至590000Nm

Output torques: 45000 to 590000 Nm

公称减速比171至947

Ratio from 171 to 947

电动机/液压马达驱动

Electric motor/ hydraulic motor drive

法兰A/法兰B安装

Flange A/flange B installation

输入与输出旋转方向相同

Input and output in same direction of rotation

备注：各传动级的机械效率为98%，输出轴轴承及密封圈的机械效率为99%。

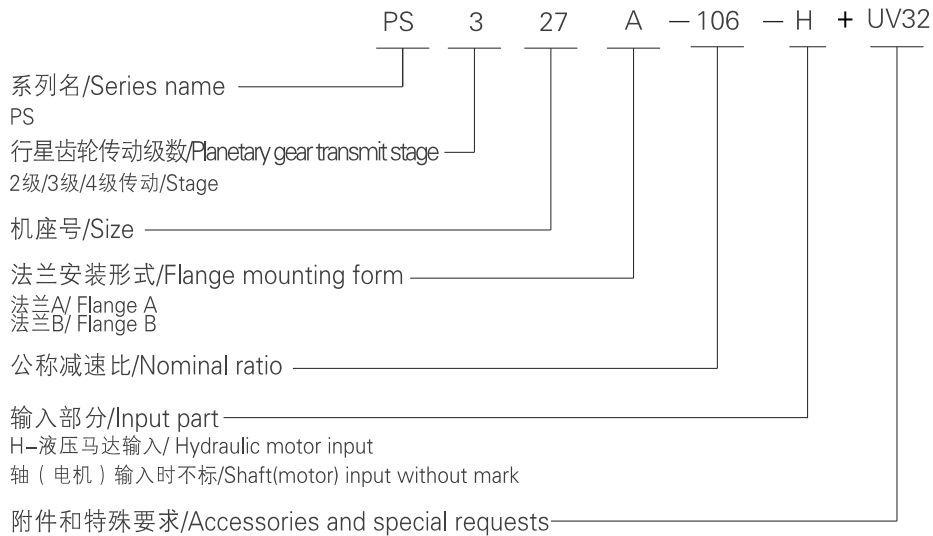
例如：三级行星传动齿轮箱机构的机械效率为  $\eta_{总} = 0.98 \times 0.98 \times 0.98 \times 0.99 = 0.93$

Remark: Mechanical efficiency of each stage is 98%, output shaft and the seal rings mechanical efficiency is 99%.

For example: the total mechanical efficiency for 3 stage planetary gearbox  $\eta = 0.98 \times 0.98 \times 0.98 \times 0.99 = 0.93$

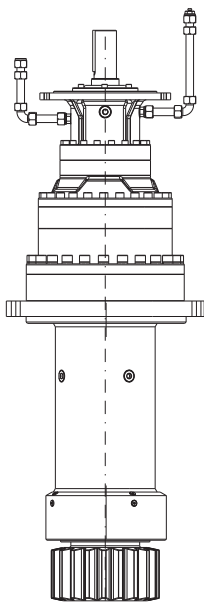
## 2 型号表示

## 2 Type Description

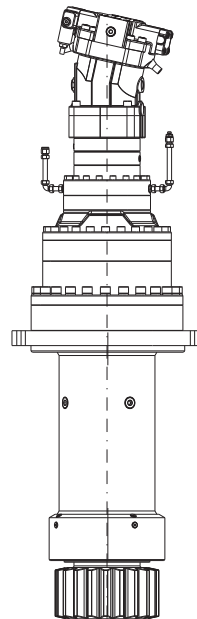
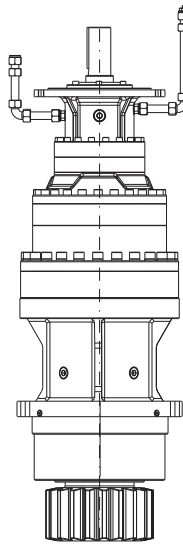


## 3 输入方式

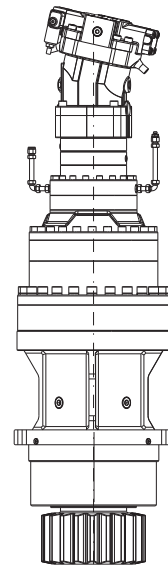
## 3 Input Modes



轴 (电机) 输入, 垂直安装/Shaft (motor) input, vertical mounted



液压马达输入, 垂直安装/Hydraulic motor input, vertical mounted



产品配备电动机、液压马达两种模块化输入系统。

- 1) 电机输入时, 根据客户使用要求, 电机和齿轮箱输入轴之间可适配极限力矩限制器/联轴器和制动器。当回转部分的外阻力矩超过传动系统的许用扭矩时, 极限力矩限制联轴器打滑, 从而保护传动系统零部件不受损坏; 制动器用于工作过程中回转机构的减速或制动, 可采用液压、气动等制动系统。
- 2) 液压马达输入时, 输入轴为DIN 5480规格的花键轴, 带具有液压松脱—弹簧制动装置的液压多片式驻车制动系统。该制动安全装置是独立的活塞或制动器, 其释放压力最小为15bar, 最大为300bar, 系统残留压力小于0.5bar, 压力管道接口为M12x1.5。

PS with two modular input systems: electric motor input and hydraulic motor input.

- (1) When electric motor is input, according to customer's requirements, between motor and gearbox input shaft can fit with ultimate torque limiters/ couplings and operating brake. When the external resistance torque of the slewing section exceeds the permissible torque of the transmission system, the ultimate torque limits the coupling to slip, thus protecting the drive system components from damaging. The working brake is used for deceleration or braking of the slewing mechanism during operation. It can use hydraulic, pneumatic and other braking systems.
- (2) When hydraulic motor is input, the input shaft is a DIN 5480 spline shaft, equipped with the hydraulically released spring-action multi-disc brake parking system. This brake safety device is a self contained piston and brake with a minimum release pressure of 15 bar, the maximum pressure is 300 bar. System residual pressure is less than 0.5 bar. The pressure pipe interface is M12X1.5.

## 4 产品说明

### 4.1 偏心距调整:

为了准确地调整输出轴齿轮与回转支承齿圈之间的齿隙，相对于输出齿轮轴与固定法兰，驱动轴可以是偏心的。其中法兰A安装相应安装孔分布圆和止口偏心距  $e_1=2.5\text{mm}$ ，法兰B安装相应安装孔分布圆和止口偏心距  $e_2=1.5\text{mm}$ ，且相应安装法兰有偏心高点标记，以便于识别。如图1、图2。

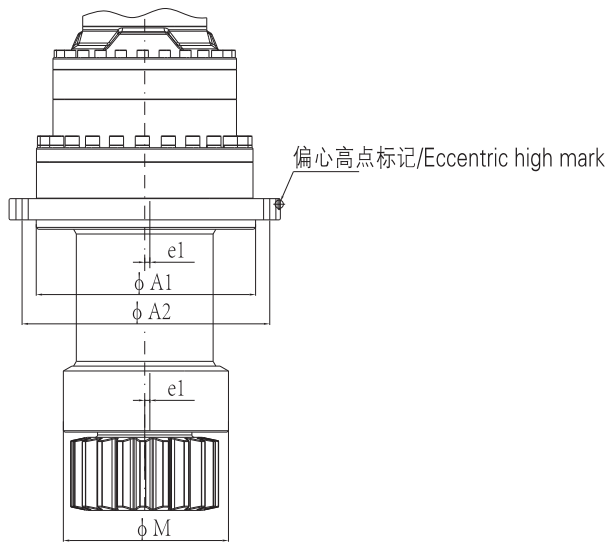


图1/Figure 1

## 4 Product Description

### 4.1 Eccentricity adjustment:

In order to adjust the gap between the output shaft gear and the slewing ring gear accurately, the drive shaft may be eccentric with respect to the output gear shaft and the fixed flange. Flange A installation corresponding mounting hole distribution circle and the spigot eccentricity is  $e_1=2.5\text{mm}$ , flange B installation corresponding mounting hole distribution circle and the spigot eccentricity is  $e_2=1.5\text{mm}$ . And the corresponding mounting flange has eccentric high markings for easy identification. As shown in figure 1, figure 2.

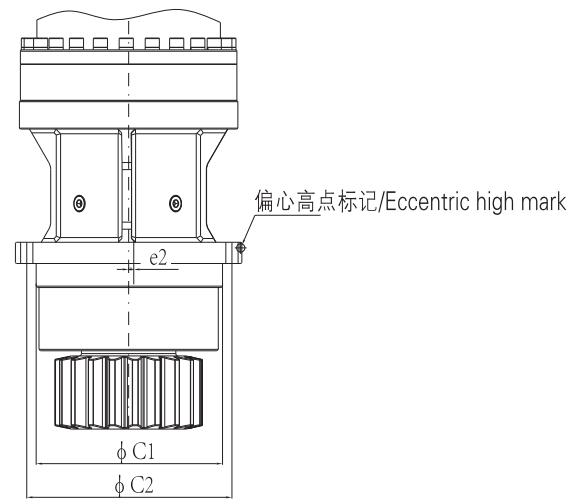
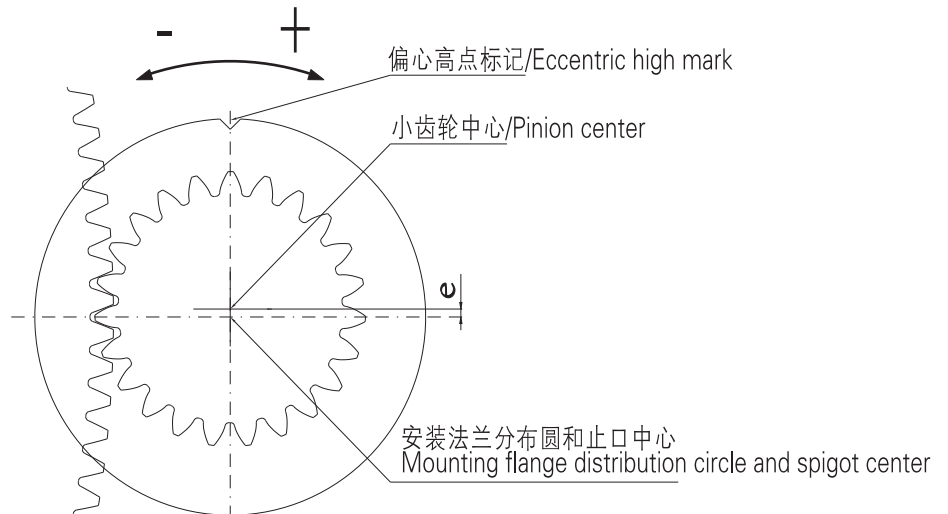


图2/Figure 2





## 4.2 输出法兰回转轴长度和小齿轮

- 4.2.1 输出法兰A回转轴长度可灵活设计，以满足客户回转支承安装尺寸；
- 4.2.2 输出端小齿轮参数可灵活设计，具体以客户提供的参数为准；
- 4.2.3 小齿轮和回转输出轴连接方式：DIN5480花键、平键和一体式设计。

## 4.3 齿轮箱安装方位说明

齿轮箱默认安装方位为垂直方向且小齿轮朝下，若是其余安装位置请事先声明！

## 4.2 Output flange slewing shaft length and pinion

- 4.2.1 Output flange A slewing shaft length can be flexibly designed to meet the mounting dimensions of slewing support;
- 4.2.2 The output pinion parameters can be designed flexibly, depending on the parameters provided by the customer;
- 4.2.3 Pinion and slewing output shaft connection methods: DIN 5480 splines, parallel keys and one-piece design.

## 4.3 Gearbox mounting position instructions

The default mounting position of the gearbox is vertical and the pinion is facing down, if using other mounting positions please declare in advance.

## 5 选型说明

### 5.1 使用说明

PS行星齿轮箱额定动态输出扭矩 $T_{dyn\ max}$ 按欧洲起重机械联合会标准FEM ( FEM—Federation Europeenne de la Manutention ) 第三版第一章, 驱动机构等级M5, 负载分组L2 ( P=常数, =15rpm ), 工况等级T5分组, 工作环境温度+20°C设计。客户在计算输出扭矩时, 注意回转机构加速、减速、风力及倾斜度。回转齿轮箱输出齿轮的最大扭矩的确定只能根据对整套设备的精确了解。如果回转机构分级为其它工作级别, 则其所需输出扭矩必须采用系数K进行修正。

下列参数必须根据 FEM 1998年第三版第一章确定

$S_{MF}$ =摩擦力产生的最大惯性力矩

$S_{MW8}$ =80N/m<sup>2</sup> 风力产生的最大扭矩

$S_{MS}$ =倾斜产生的最大扭矩

$S_{MA}$ =加速产生的最大扭矩

$S_{MW25}$ =250N/m<sup>2</sup> 风力产生的最大扭矩

$Y_m$ =机械组参数的负载放大系数 ( 见FEM-34 )

无风力影响的正常运行

$$S_{Mmax I}=(\bar{S}_{MF}+\bar{S}_{MA})Y_m$$

有风力影响的正常运行

$$S_{Mmax II}=(\bar{S}_{MF}+\bar{S}_{MA}+\bar{S}_{MW8})$$

$$S_{Mmax II}=(\bar{S}_{MF}+\bar{S}_{MW25})Y_m$$

有风力影响和倾斜角度的正常运行

$$S_{Mmax II}=(\bar{S}_{MW8}+\bar{S}_{MS})Y_m$$

$T_2$ : 输出扭矩 ( N · m )

$T_{2k}$ : 修正后的输出扭矩 ( N · m )

K: 工况系数 ( 设备分组工况系数 )

$$T_{2k} = T_2 * K$$

齿轮箱选型时 $T_{2k}$ 必须 $\leq T_{dyn\ max}$  ( 设计扭矩或样本扭矩 )

## 5 Type selection explanations

### 5.1 Operation instruction

PS planetary gearbox rated dynamic output torques  $T_{dyn\ max}$  are based on FEM standards section 1, 3rd edition (FEM—Federation Europeenne de la Manutention). Drive unit group M5, load conditions L2(P=constant, =15rpm), running time classification T5. Ambient temperature +20°C. When the customer calculates the output torques, pay attention to the slewing mechanism accelerates, decelerates, winds and inclines. The maximum torque of the slewing gearbox output gear can only be determined by the exact understanding of the equipment. If the slewing mechanism is classified as other working grades, the output torques must be multiplied by the factor K.

The following parameters must be determined in accordance with FEM 1998 section 1, 3rd edition.

$S_{MF}$ =the maximum moment of inertia produced by friction

$S_{MW8}$ =the maximum torque generated by 80N/m<sup>2</sup> wind

$S_{MS}$ = the maximum torque generated by the slope

$S_{MA}$ = the maximum torque generated by the accelerate

$S_{MW25}$ = the maximum torque generated by 250N/m<sup>2</sup> wind

$Y_m$ =Load amplification factor for mechanical group parameters (see FEM-34)

No wind impact of the normal operation

$$S_{Mmax I}=(\bar{S}_{MF}+\bar{S}_{MA})Y_m$$

With wind impact of the normal operation

$$S_{Mmax II}=(\bar{S}_{MF}+\bar{S}_{MA}+\bar{S}_{MW8})$$

$$S_{Mmax II}=(\bar{S}_{MF}+\bar{S}_{MW25})Y_m$$

With wind impact and slope of the normal operation

$$S_{Mmax II}=(\bar{S}_{MW8}+\bar{S}_{MS})Y_m$$

$T_2$ : Output torque

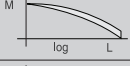
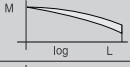
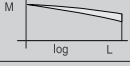
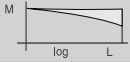
$T_{2k}$ : Corrected output torque

K: Application factor (equipment grouping factor)

$T_{2k}$  must  $\leq T_{dyn\ max}$  (design torque or sample torque)

5.2 工况系数 (机构利用等级和载荷状态分级)

5.2 Application factor (running time classification and load conditions)

| 工况等级<br>Running time classification | 运行时间级别/Symbol  | T2  | T3              | T4               | T5               | T6                | T7                 | T8                 |
|-------------------------------------|--|---|-----------------|------------------|------------------|-------------------|--------------------|--------------------|
|                                     | 一年内, 日平均工作时间 (小时)<br>Mean running time per day in hours, related to one year                     | 0.25至/to<br>0.5                                 | 0.5至/to1        | 1至/to2           | 2至/to4           | 4至/to8            | 8至/to16            | 多于/over16          |
|                                     | 使用寿命 (小时) 8年, 200天/年<br>Life in hours 8 years, 200 days/year                                     | 400至/to<br>800                                  | 800至/to<br>1600 | 1600至/to<br>3200 | 3200至/to<br>6300 | 6300至/to<br>12500 | 12500至/to<br>25000 | 25000至/to<br>50000 |
| 负载情况<br>Load conditions             | 集合系数/Collective coefficient Km   | 设备分组工况系数K/Drive unit class Application factor K |                 |                  |                  |                   |                    |                    |
| L1                                  |  至/to0.125      | M1<br>0.90                                      | M2<br>0.90      | M3<br>0.90       | M4<br>0.92       | M5<br>0.92        | M6<br>1.1          | M7<br>1.36         |
| L2                                  |  0.125至/to0.250 | M2<br>0.90                                      | M3<br>0.92      | M4<br>0.96       | M5<br>1          | M6<br>1.07        | M7<br>1.3          | M8<br>1.6          |
| L3                                  |  0.250至/to0.500 | M3<br>1.05                                      | M4<br>1.09      | M5<br>1.17       | M6<br>1.23       | M7<br>1.28        | M8<br>1.53         | M8<br>1.89         |
| L4                                  |  0.500至/to1.000 | M4<br>1.32                                      | M5<br>1.36      | M6<br>1.46       | M7<br>1.53       | M8<br>1.58        | M8<br>1.8          | M8<br>2.22         |

5.3 起重机械典型载荷谱 (图3)

5.3 Typical load spectrum for crane (figure 3)

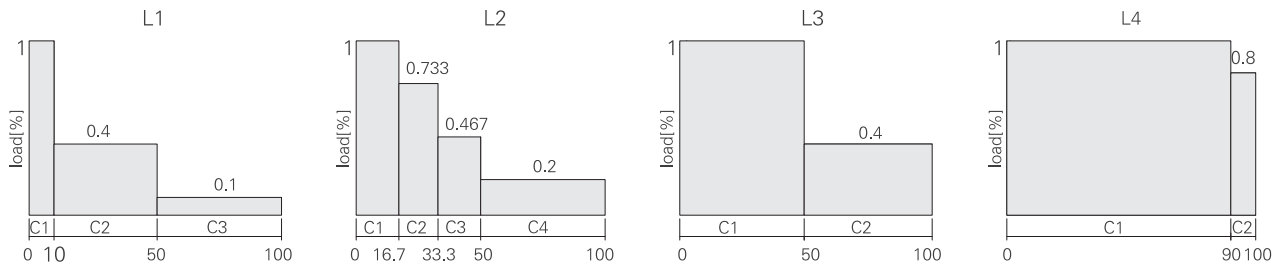


图3 起重机械典型载荷谱/Figure 3 Crane load spectrum

5.4设备分级指导 参见FEM标准第三版第一章，表T.2.1.3.5

5.4 Classification guidance According FEM section 1, 3rd edition, table T.2.1.3.5

| 起重机类型/Type of crane(name)  | 工作元件<br>Working accessories | 驱动机构类型/Type of mechanism |            |            |                  |             |
|--|-----------------------------|--------------------------|------------|------------|------------------|-------------|
|  |                             | 起升/Hoisting              | 回转/Slewing | 变幅/Luffing | 小车运行<br>Traverse | 大车运行/Travel |
| 安装用起重机/Erection crane  |                             | M2-M3                    | M2-M3      | M1-M2      | M1-M2            | M2-M3       |
| 桥式起重机/Bridge crane   | 吊钩/Hook                     | M5-M6                    | M4         | -          | M4-M5            | M5-M6       |
| 桥式起重机/Bridge crane   | 抓斗或磁铁<br>Grab or magnet     | M7-M8                    | M6         | -          | M6-M7            | M7-M8       |
| 车间用起重机/Workshop crane  | 抓斗或磁铁<br>Grab or magnet     | M6                       | M4         | -          | M4               | M5          |
| 天车, 旁锤起重机, 废钢场起重机<br>Crane, Ram crane, Scrap mill crane  | 吊钩或磁铁<br>Hook or magnet     | M8                       | M6         | -          | M6-M7            | M7-M8       |
| 卸料桥, 集装箱用门式起重机<br>Unloading bridge, Container gantry crane   | 吊钩/Hook                     | M6-M7                    | M5-M6      | M3-M4      | M6-M7            | M4-M5       |
| 其它门式起重机(带小车和/或转台)<br>Other gantry crane(with crab and/or slewing jib crane)  | 抓斗或磁铁<br>Grab or magnet     | M4-M5                    | M4-M5      | -          | M4-M5            | M4-M5       |
| 卸料桥, 集装箱用门式起重机(带小车和/或转台)<br>Unloading bridge, Container gantry crane(with crab and/or slewing jib crane)             | 吊钩/Hook                     | M8                       | M5-M6      | M3-M4      | M7-M8            | M4-M5       |
| 船台起重机船坞起重机, 拆卸用起重机<br>Shipyards crane, Dock crane, Disassembly crane   |                             | M5-M6                    | M4-M5      | M4-M5      | M4-M5            | M5-M6       |
| 港口起重机(可转动, 门式), 浮式起重机, 浮式起重架/Harbor crane(slewing, gantry), floating crane and floating derricks                     | 吊钩/Hook                     | M6-M7                    | M5-M6      | M5-M6      | -                | M3-M4       |
| 港口起重机(可转动, 门式), 浮式起重机, 浮式起重架/Harbor crane(slewing, gantry), floating crane and floating derricks                     | 抓斗或磁铁<br>Grab or magnet     | M7-M8                    | M6-M7      | M6-M7      | -                | M4-M5       |
| 浮式起重机和浮式起重架, 用于非常高的负荷(一般在100t以上)/Floating crane and floating derrick for very heavy loads(usually greater than 100t) |                             | M3-M4                    | M3-M4      | M3-M4      | -                | -           |
| 甲板起重机/Deck crane   | 吊钩/Hook                     | M4                       | M3-M4      | M3-M4      | M2               | M3          |
| 甲板起重机/Deck crane   | 抓斗或磁铁<br>Grab or magnet     | M5-M6                    | M3-M4      | M3-M4      | M4-M5            | M3-M4       |
| 塔式起重机用于建筑工地<br>Tower crane for construction site   |                             | M4                       | M5         | M4         | M3               | M3          |
| 门式塔架/Gantry tower  |                             | M2-M3                    | M1-M2      | M1-M2      | -                | -           |
| 铁路起重机, 批准用于铁路维修<br>Railway crane, approved for railway maintenance   |                             | M3-M4                    | M2-M3      | M2-M3      | -                | -           |
| 车辆起重机/Mobile crane   | 吊钩/Hook                     | M3-M4                    | M3-M4      | M2-M3      | -                | -           |

备注: 仅列出了回转机构的一些典型范围以供参考

Note: Above are only some typical applications for slewing mechanism

## 6 传动能力

## 6 Transmission capacity

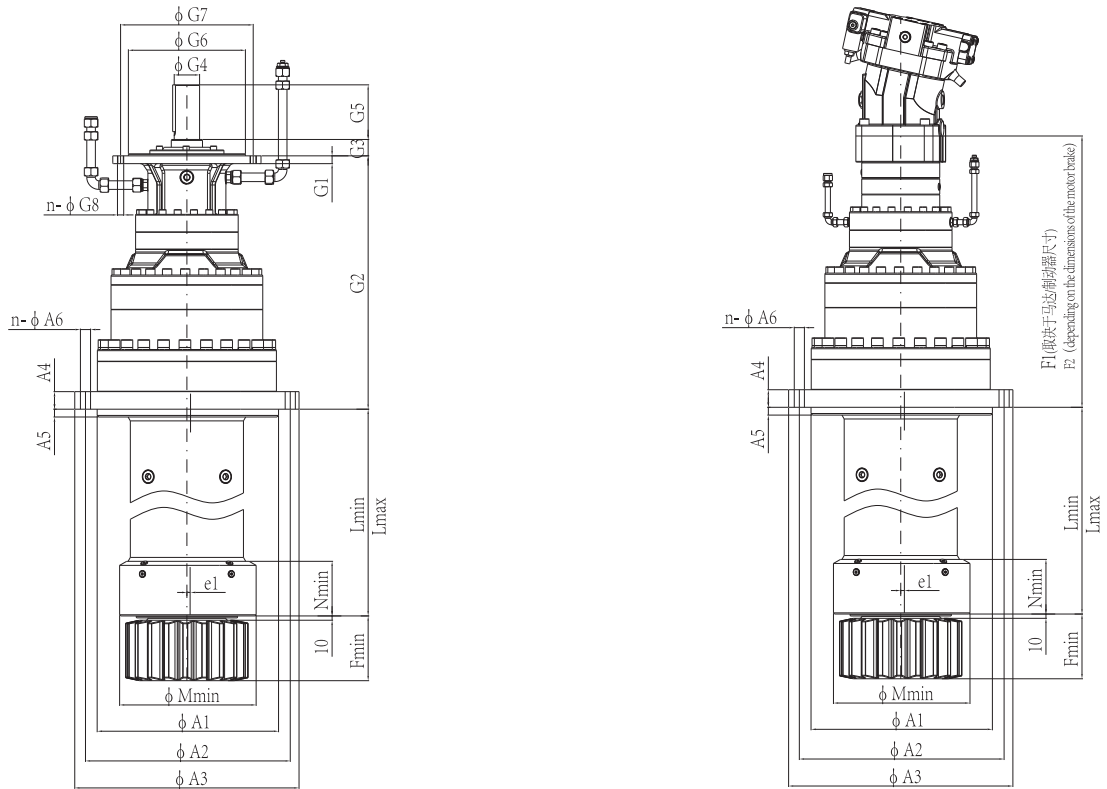
| 公称减速比<br>Nominal ratio | 精确减速比<br>Exact ratio | 型号/TypePS         | 20        | 22    | 24    | 25    | 26    | 27    | 29     | 31     | 32     | 33     | 34     | 36     |
|------------------------|----------------------|-------------------|-----------|-------|-------|-------|-------|-------|--------|--------|--------|--------|--------|--------|
| iN                     | iex                  | T动/dynamic<br>N·m | 11000     | 19000 | 25000 | 33000 | 45000 | 61000 | 91000  | 150000 | 230000 | 290000 | 370000 | 590000 |
|                        |                      | T静/static<br>N·m  | 16500     | 28500 | 37500 | 49500 | 67500 | 91500 | 136500 | 225000 | 345000 | 435000 | 555000 | 885000 |
| 14                     | 14.11                | 2 级/Stage         | ☆         | ☆     | ☆     | ☆     | ☆     | ☆     | ☆      | ☆      |        |        |        |        |
| 16                     | 16.14                |                   | ☆         | ☆     | ☆     | ☆     | ☆     | ☆     | ☆      | ☆      |        |        |        |        |
| 19                     | 19.22                |                   | ☆         | ☆     | ☆     | ☆     | ☆     | ☆     | ☆      | ☆      |        |        |        |        |
| 21                     | 21.45                |                   | ☆         | ☆     | ☆     | ☆     | ☆     | ☆     | ☆      | ☆      |        |        |        |        |
| 24                     | 24.47                |                   | ☆         | ☆     | ☆     | ☆     | ☆     | ☆     | ☆      | ☆      |        |        |        |        |
| 29                     | 28.79                |                   | ☆         | ☆     | ☆     | ☆     | ☆     | ☆     | ☆      | ☆      |        |        |        |        |
| 46                     | 45.97                | 3 级/Stage         | ☆         | ☆     | ☆     | ☆     | ☆     | ☆     | ☆      | ☆      | ☆      |        |        |        |
| 53                     | 52.56                |                   | ☆         | ☆     | ☆     | ☆     | ☆     | ☆     | ☆      | ☆      | ☆      |        |        |        |
| 60                     | 60.10                |                   | ☆         | ☆     | ☆     | ☆     | ☆     | ☆     | ☆      | ☆      | ☆      |        |        |        |
| 72                     | 71.57                |                   | ☆         | ☆     | ☆     | ☆     | ☆     | ☆     | ☆      | ☆      | ☆      |        |        |        |
| 80                     | 79.88                |                   | ☆         | ☆     | ☆     | ☆     | ☆     | ☆     | ☆      | ☆      | ☆      |        |        |        |
| 85                     | 85.23                |                   | ☆         | ☆     | ☆     | ☆     | ☆     | ☆     | ☆      | ☆      | ☆      |        |        |        |
| 91                     | 91.13                |                   | ☆         | ☆     | ☆     | ☆     | ☆     | ☆     | ☆      | ☆      | ☆      |        |        |        |
| 106                    | 106.18               |                   | ☆         | ☆     | ☆     | ☆     | ☆     | ☆     | ☆      | ☆      | ☆      |        |        |        |
| 121                    | 121.13               |                   | ☆         | ☆     | ☆     | ☆     | ☆     | ☆     | ☆      | ☆      | ☆      |        |        |        |
| 142                    | 142.49               |                   | ☆         | ☆     | ☆     | ☆     | ☆     | ☆     | ☆      | ☆      | ☆      |        |        |        |
| 171                    | 171.21               |                   | ☆         | ☆     | ☆     | ☆     | ☆     | ☆     | ☆      | ☆      |        |        |        |        |
| 196                    | 195.75               |                   | 4 级/Stage | ☆     | ☆     | ☆     | ☆     | ☆     | ☆      | ☆      | ☆      | ☆      | ☆      | ☆      |
| 224                    | 223.82               | ☆                 |           | ☆     | ☆     | ☆     | ☆     | ☆     | ☆      | ☆      | ☆      | ☆      | ☆      | ☆      |
| 267                    | 266.53               | ☆                 |           | ☆     | ☆     | ☆     | ☆     | ☆     | ☆      | ☆      | ☆      | ☆      | ☆      | ☆      |
| 278                    | 277.59               | ☆                 |           | ☆     | ☆     | ☆     | ☆     | ☆     | ☆      | ☆      | ☆      | ☆      | ☆      | ☆      |
| 297                    | 297.49               | ☆                 |           | ☆     | ☆     | ☆     | ☆     | ☆     | ☆      | ☆      | ☆      | ☆      | ☆      | ☆      |
| 317                    | 317.39               | ☆                 |           | ☆     | ☆     | ☆     | ☆     | ☆     | ☆      | ☆      | ☆      | ☆      | ☆      | ☆      |
| 339                    | 339.39               | ☆                 |           | ☆     | ☆     | ☆     | ☆     | ☆     | ☆      | ☆      | ☆      | ☆      | ☆      | ☆      |
| 354                    | 354.26               | ☆                 |           | ☆     | ☆     | ☆     | ☆     | ☆     | ☆      | ☆      | ☆      | ☆      | ☆      | ☆      |
| 378                    | 377.95               | ☆                 |           | ☆     | ☆     | ☆     | ☆     | ☆     | ☆      | ☆      | ☆      | ☆      | ☆      | ☆      |
| 399                    | 399.23               | ☆                 |           | ☆     | ☆     | ☆     | ☆     | ☆     | ☆      | ☆      | ☆      | ☆      | ☆      | ☆      |
| 422                    | 421.86               | ☆                 |           | ☆     | ☆     | ☆     | ☆     | ☆     | ☆      | ☆      | ☆      | ☆      | ☆      | ☆      |
| 451                    | 451.10               | ☆                 |           | ☆     | ☆     | ☆     | ☆     | ☆     | ☆      | ☆      | ☆      | ☆      | ☆      | ☆      |
| 481                    | 481.27               | ☆                 |           | ☆     | ☆     | ☆     | ☆     | ☆     | ☆      | ☆      | ☆      | ☆      | ☆      | ☆      |
| 515                    | 514.63               | ☆                 |           | ☆     | ☆     | ☆     | ☆     | ☆     | ☆      | ☆      | ☆      | ☆      | ☆      | ☆      |
| 537                    | 537.18               | ☆                 |           | ☆     | ☆     | ☆     | ☆     | ☆     | ☆      | ☆      | ☆      | ☆      | ☆      | ☆      |
| 566                    | 566.14               | ☆                 |           | ☆     | ☆     | ☆     | ☆     | ☆     | ☆      | ☆      | ☆      | ☆      | ☆      | ☆      |
| 600                    | 599.59               | ☆                 |           | ☆     | ☆     | ☆     | ☆     | ☆     | ☆      | ☆      | ☆      | ☆      | ☆      | ☆      |
| 632                    | 631.91               | ☆                 |           | ☆     | ☆     | ☆     | ☆     | ☆     | ☆      | ☆      | ☆      | ☆      | ☆      | ☆      |
| 684                    | 684.02               | ☆                 |           | ☆     | ☆     | ☆     | ☆     | ☆     | ☆      | ☆      | ☆      | ☆      | ☆      | ☆      |
| 705                    | 705.32               | ☆                 |           | ☆     | ☆     | ☆     | ☆     | ☆     | ☆      | ☆      | ☆      | ☆      | ☆      | ☆      |
| 805                    | 804.65               | ☆                 | ☆         | ☆     | ☆     | ☆     | ☆     | ☆     | ☆      | ☆      | ☆      | ☆      | ☆      |        |
| 848                    | 848.02               | ☆                 | ☆         | ☆     | ☆     | ☆     | ☆     | ☆     | ☆      | ☆      | ☆      | ☆      | ☆      |        |
| 947                    | 946.54               | ☆                 | ☆         | ☆     | ☆     | ☆     | ☆     | ☆     | ☆      | ☆      | ☆      | ☆      | ☆      |        |

备注：未注传动比请垂询

Note: For transmission ratios not listed, please contact us.

## 7 外形尺寸 安装尺寸

### 法兰A/Flange A

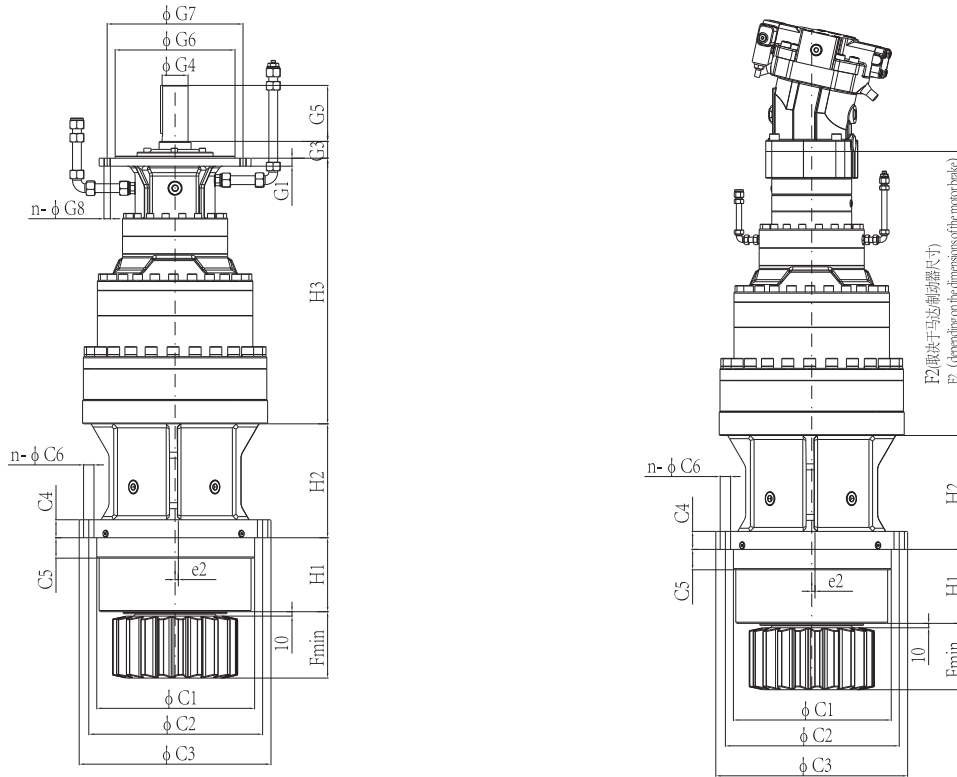


| PS | 额定输出扭矩<br>Rated output torque<br>(N.m) |           | 法兰A齿轮箱与钢结构连接螺栓强度等级10.9<br>The connecting bolt class of flange A gearbox with frame is 10.9 |            |      |    |    |          | 法兰B齿轮箱与钢结构连接螺栓强度等级10.9<br>The connecting bolt class of flange B gearbox with frame is 10.9 |            |     |    |    |          | 回转输出轴/Slewing output shaft |     |      |       |       |     |     |
|----|--|-----------|--|------------|------|----|----|----------|--|------------|-----|----|----|----------|----------------------------|-----|------|-------|-------|-----|-----|
|    | 动态/Dynamic                             | 静态/Static | A1   | A2<br>±0.2 | A3   | A4 | A5 | n-A6     | C1   | C2<br>±0.2 | C3  | C4 | C5 | n-C6     | H1                         | H2  | Lmin | Lmax  | Mmin  | e1  | e2  |
| 20 | 11000                                  | 16500     | 285h7  | 325        | 355  | 25 | 20 | 24-φ13.5 | 230h7  | 258        | 282 | 25 | 20 | 24-φ13.5 | 75                         | 165 | 230  | 1300  | 220h7 | 2.5 | 1.5 |
| 22 | 19000                                  | 28500     | 320h7  | 365        | 395  | 30 | 20 | 24-φ17.5 | 255h7  | 345        | 375 | 30 | 20 | 24-φ17.5 | 78                         | 175 | 250  | 1300  | 240h7 | 2.5 | 1.5 |
| 24 | 25000                                  | 37500     | 355h7  | 400        | 430  | 30 | 20 | 24-φ17.5 | 280h7  | 330        | 368 | 30 | 20 | 24-φ22   | 100                        | 195 | 300  | 1300  | 270h7 | 2.5 | 1.5 |
| 25 | 33000                                  | 49500     | 390h7  | 440        | 475  | 35 | 20 | 24-φ22   | 280h7  | 395        | 430 | 35 | 20 | 24-φ22   | 100                        | 255 | 330  | 1300  | 270h7 | 2.5 | 1.5 |
| 26 | 45000                                  | 67500     | 430h7  | 475        | 515  | 40 | 20 | 24-φ22   | 365h7  | 400        | 440 | 35 | 20 | 24-φ22   | 100                        | 260 | 340  | 1300  | 330h7 | 2.5 | 1.5 |
| 27 | 61000                                  | 91500     | 465h7  | 525        | 575  | 45 | 20 | 24-φ26   | 395h7  | 435        | 480 | 45 | 20 | 24-φ26   | 185                        | 285 | 350  | 1700  | 340h7 | 2.5 | 1.5 |
| 29 | 91000                                  | 136500    | 550h7  | 600        | 660  | 50 | 30 | 24-φ26   | 435h7  | 485        | 540 | 45 | 30 | 24-φ33   | 190                        | 310 | 420  | 1700  | 380h7 | 2.5 | 1.5 |
| 31 | 150000                                 | 225000    | 630h7  | 680        | 740  | 50 | 30 | 24-φ26   |  |            |     |    |    |          |                            | 450 | 1700 | 400h7 | 2.5   |     |     |
| 32 | 230000                                 | 345000    | 680h7  | 750        | 820  | 55 | 30 | 24-φ33   |  |            |     |    |    |          |                            | 480 | 1800 | 450h7 | 2.5   |     |     |
| 33 | 290000                                 | 435000    | 790h7  | 850        | 920  | 60 | 40 | 30-φ33   |  |            |     |    |    |          |                            | 500 | 1800 | 560h7 | 2.5   |     |     |
| 34 | 370000                                 | 555000    | 850h7  | 910        | 980  | 70 | 45 | 36-φ33   |  |            |     |    |    |          |                            | 650 | 1800 | 585h7 | 2.5   |     |     |
| 36 | 590000                                 | 885000    | 980h7  | 1070       | 1160 | 70 | 55 | 36-φ39   |  |            |     |    |    |          |                            | 720 | 1800 | 700h7 | 2.5   |     |     |

备注：1) 液压马达输入详细尺寸依据液压马达型号和制动器选型而定！2) 其余未注尺寸，请垂询！3) 法兰A回转轴长度按客户要求，重量仅供参考！

# 7 Outline dimensions Mounting dimensions

## 法兰B/Flange B



| 电机驱动/Motor drive |    |       |     |       |            |       |           |     |    |      |     |       |            |           |     |      |    |      |     | 重量/Weight (Kg) |            |       |     |                |                | PS   |                |                |                |                |
|------------------|----|-------|-----|-------|------------|-------|-----------|-----|----|------|-----|-------|------------|-----------|-----|------|----|------|-----|----------------|------------|-------|-----|----------------|----------------|------|----------------|----------------|----------------|----------------|
| 2 级/Stage        |    |       |     |       |            |       | 3 级/Stage |     |    |      |     |       |            | 4 级/Stage |     |      |    |      |     | 2级             |            | 3级    |     | 4级             |                |      |                |                |                |                |
| G2               | G3 | G4    | G5  | G6    | G7<br>±0.2 | n-G8  | H3        | G2  | G3 | G4   | G5  | G6    | G7<br>±0.2 | n-G8      | H3  | G2   | G3 | G4   | G5  | G6             | G7<br>±0.2 | n-G8  | H3  | 法兰A<br>FlangeA | 法兰B<br>FlangeB |      | 法兰A<br>FlangeA | 法兰B<br>FlangeB | 法兰A<br>FlangeA | 法兰B<br>FlangeB |
| 402              | 40 | 65m6  | 140 | 300h7 | 340        | 8-M16 | 412       | —   | —  | —    | —   | —     | —          | —         | —   | —    | —  | —    | —   | —              | —          | —     | —   | 207            | 179            | —    | —              | —              | —              | 20             |
| 414              | 40 | 65m6  | 140 | 300h7 | 340        | 8-M16 | 424       | —   | —  | —    | —   | —     | —          | —         | —   | —    | —  | —    | —   | —              | —          | —     | —   | 254            | 226            | —    | —              | —              | —              | 22             |
| 490              | 40 | 75m6  | 140 | 360h7 | 415        | 8-M16 | 515       | 587 | 40 | 65m6 | 140 | 300h7 | 340        | 8-M16     | 612 | —    | —  | —    | —   | —              | —          | —     | —   | 374            | 337            | 417  | 385            | —              | —              | 24             |
| 503              | 40 | 75m6  | 140 | 360h7 | 415        | 8-M16 | 518       | 599 | 40 | 65m6 | 140 | 300h7 | 340        | 8-M16     | 614 | —    | —  | —    | —   | —              | —          | —     | —   | 410            | 380            | 498  | 419            | —              | —              | 25             |
| 566              | 40 | 95m6  | 170 | 450h7 | 500        | 8-M16 | 581       | 637 | 40 | 65m6 | 140 | 300h7 | 340        | 8-M16     | 652 | 702  | 38 | 55m6 | 110 | 250h7          | 280        | 8-M16 | 717 | 653            | 563            | 735  | 614            | 809            | 675            | 26             |
| 579              | 40 | 95m6  | 170 | 450h7 | 500        | 8-M16 | 594       | 650 | 40 | 65m6 | 140 | 300h7 | 340        | 8-M16     | 665 | 715  | 38 | 55m6 | 110 | 250h7          | 280        | 8-M16 | 730 | 742            | 689            | 803  | 764            | 914            | 840            | 27             |
| 694              | 40 | 120m6 | 210 | 550h7 | 600        | 8-M16 | 724       | 828 | 40 | 95m6 | 170 | 450h7 | 500        | 8-M16     | 858 | 899  | 40 | 65m6 | 140 | 300h7          | 340        | 8-M16 | 929 | 1214           | 1102           | 1395 | 1284           | 1446           | 1334           | 29             |
| 702              | 40 | 120m6 | 210 | 550h7 | 600        | 8-M16 | —         | 836 | 40 | 95m6 | 170 | 450h7 | 500        | 8-M16     | —   | 906  | 40 | 65m6 | 140 | 300h7          | 340        | 8-M16 | —   | 1575           | —              | 1657 | —              | 1707           | —              | 31             |
|                  |    |       |     |       |            |       |           | 940 | 40 | 95m6 | 170 | 450h7 | 500        | 8-M16     | —   | 1010 | 40 | 65m6 | 140 | 300h7          | 340        | 8-M16 | —   | —              | —              | 2164 | —              | 2315           | —              | 32             |
|                  |    |       |     |       |            |       |           |     |    |      |     |       |            |           |     | 1234 | 40 | 95m6 | 170 | 450h7          | 500        | 8-M16 | —   | —              | —              | —    | —              | 3063           | —              | 33             |
|                  |    |       |     |       |            |       |           |     |    |      |     |       |            |           |     | 1249 | 40 | 95m6 | 170 | 450h7          | 500        | 8-M16 | —   | —              | —              | —    | —              | 3705           | —              | 34             |
|                  |    |       |     |       |            |       |           |     |    |      |     |       |            |           |     | 1314 | 40 | 95m6 | 170 | 450h7          | 500        | 8-M16 | —   | —              | —              | —    | —              | 5269           | —              | 36             |

Note: 1) The hydraulic motor input size depends on the hydraulic motor model and the brake selection.

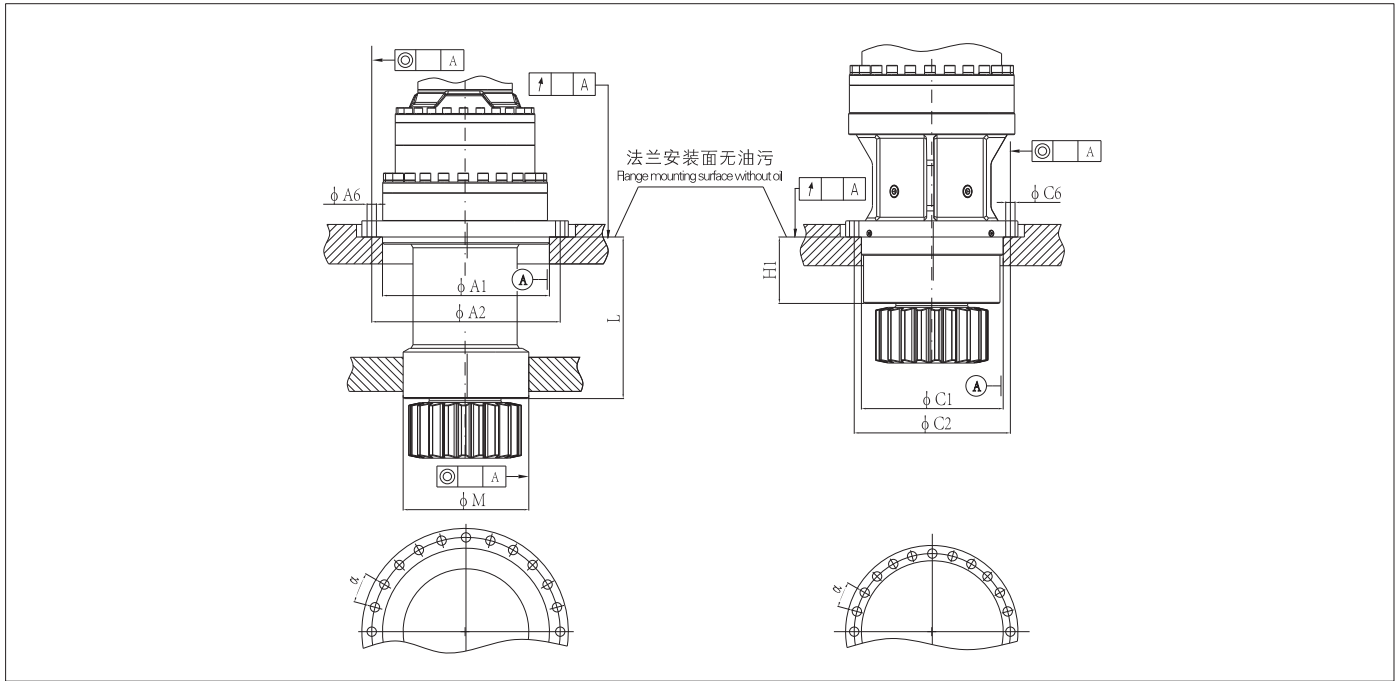
2) For other dimensions not listed, please contact us. 3) Flange A slewing shaft length according to customer requirements, weight is for reference only.

## 8 安装要求

回转齿轮箱须正确地安装在机械支架上。钢结构的安装中心孔必须同心，并且法兰安装面必须与其垂直。在运行时，中心孔和法兰的相对位置不应该受环境和外力影响。支架构件的制造公差和回转减速机的最大允许变形见下表。

## 8 Mounting Method

The slewing gearbox must be properly mounted on the mechanical support. The mounting center hole of the steel structure must be concentric, and the flange mounting surface must be perpendicular to it. During operation, the relative position of the center hole and the flange should not be affected by the environment and external forces. The manufacturing tolerances of the bracket components and the maximum allowable deformation of the slewing gearbox are shown in the table below.



| 型号<br>Type | 在外力作用下的最大允许变形<br>The maximum allowable deformation under the external forces |     |     |      |      |      |                 |      | 中心孔必须同心，允许最大加工误差为<br>The center hole must be concentric, allowing maximum machining error |      |              |      |                             | 回转机构的输出轴不允许由于外力和加工误差的作用产生变形，中心轴最大允许偏差为<br>The output shaft of the slewing mechanism is not allowed to be distorted by the function of external force and machining error. The maximum allowable deviation of the central axis is |      |      |      |             | 型号<br>Type |
|------------|--|-----|-----|------|------|------|-----------------|------|---|------|--------------|------|-----------------------------|--|------|------|------|-------------|------------|
|            | A1   | C1  | A2  | C2   | ⊙    | A    | ↑               | A    | A6  | C6   | $\alpha \pm$ | M    | 输出轴长度/Output shaft length L |  |      |      |      | PS          |            |
| PS         |  |     |     |      |      |      |                 |      | 200   | 400  | 600          | 800  | 1000 $\geq$                 | 200  | 400  | 600  | 800  | 1000 $\geq$ | PS         |
| 20         | 0.14   | 0.2 | 0.3 | 0.05 | 13.5 | 13.5 | 15 <sup>1</sup> | 0.14 | 0.05  | 0.10 | 0.10         | 0.10 | 0.15                        | 0.25   | 0.30 | 0.30 | 0.40 | 0.40        | 20         |
| 22         | 0.16   | 0.2 | 0.3 | 0.07 | 17.5 | 17.5 | 15 <sup>1</sup> | 0.16 | 0.05  | 0.10 | 0.10         | 0.15 | 0.20                        | 0.30   | 0.35 | 0.35 | 0.50 | 0.50        | 22         |
| 24         | 0.18   | 0.3 | 0.5 | 0.07 | 17.5 | 22   | 10 <sup>1</sup> | 0.18 | --  | 0.10 | 0.10         | 0.15 | 0.20                        | --   | 0.35 | 0.35 | 0.50 | 0.50        | 24         |
| 25         | 0.20   | 0.3 | 0.5 | 0.07 | 22   | 22   | 10 <sup>1</sup> | 0.20 | --  | 0.10 | 0.10         | 0.15 | 0.20                        | --   | 0.35 | 0.35 | 0.50 | 0.50        | 25         |
| 26         | 0.20   | 0.3 | 0.5 | 0.10 | 22   | 22   | 10 <sup>1</sup> | 0.20 | --  | 0.10 | 0.15         | 0.20 | 0.25                        | --   | 0.40 | 0.40 | 0.60 | 0.60        | 26         |
| 27         | 0.23   | 0.3 | 0.5 | 0.10 | 26   | 26   | 10 <sup>1</sup> | 0.23 | --  | 0.10 | 0.15         | 0.20 | 0.25                        | --   | 0.40 | 0.50 | 0.60 | 0.80        | 27         |
| 29         | 0.25   | 0.3 | 0.5 | 0.10 | 26   | 33   | 10 <sup>1</sup> | 0.25 | --  | --   | 0.15         | 0.20 | 0.25                        | --   | --   | 0.50 | 0.60 | 0.80        | 29         |
| 31         | 0.25   | 0.3 | 0.5 | 0.10 | 26   | --   | 10 <sup>1</sup> | 0.25 | --  | --   | 0.15         | 0.20 | 0.25                        | --   | --   | 0.50 | 0.60 | 0.80        | 31         |
| 32         | 0.25   | 0.3 | 0.5 | 0.10 | 33   | --   | 10 <sup>1</sup> | 0.25 | --  | --   | 0.15         | 0.20 | 0.25                        | --   | --   | 0.50 | 0.60 | 0.80        | 32         |
| 33         | 0.30   | 0.3 | 0.6 | 0.10 | 33   | --   | 10 <sup>1</sup> | 0.30 | --  | --   | 0.20         | 0.25 | 0.30                        | --   | --   | 0.60 | 0.80 | 0.80        | 33         |
| 34         | 0.30   | 0.3 | 0.6 | 0.10 | 33   | --   | 10 <sup>1</sup> | 0.30 | --  | --   | 0.20         | 0.25 | 0.30                        | --   | --   | 0.60 | 0.80 | 0.80        | 34         |
| 36         | 0.30   | 0.3 | 0.6 | 0.10 | 39   | --   | 10 <sup>1</sup> | 0.30 | --  | --   | 0.20         | 0.25 | 0.30                        | --   | --   | 0.60 | 0.80 | 0.80        | 36         |

DIN7184规定的形位公差标准定义为：  
工件的中心线必须位于与基准面中心线偏差 $t=0.2$ 直径的圆柱体内；  
工件在围绕基准线转动时，其加工面的偏差不允许超过 $t=0.2$ 。

The DIN 7184 geometric tolerance standard is defined as:  
The centerline of the workpiece must be in the cylinder with the base line deviation of  $t=0.2$  diameter.  
When the workpiece is rotated around the reference line, the tolerance of the machined surface is not allowed to exceed  $t=0.2$ .



## 9 润滑说明

润滑油(重负荷工业齿轮油)粘度牌号选用  
【VG320(附件代号:UV32)】

|                             |               |
|-----------------------------|---------------|
| 环境温度/Ambient temperature °C | -20°C ~ +40°C |
| 粘度牌号/Viscosity              | VG320         |

注: 1. 齿轮箱所有轴承采用浸油润滑, 除输出轴下端轴承, 为脂润滑。  
2. 上表中粘度牌号为40°C温度下的ISO—VG粘度。  
3. 环境温度低于-10°C必须使用合成油。  
4. 为保证产品寿命, 实际使用中建议使用合成油。  
5. 若环境温度超出上述范围, 敬请垂询。

## 9 Lubrication

Lubrication viscosity (heavy industrial gear oil)  
[VG320 (code: UV32)]

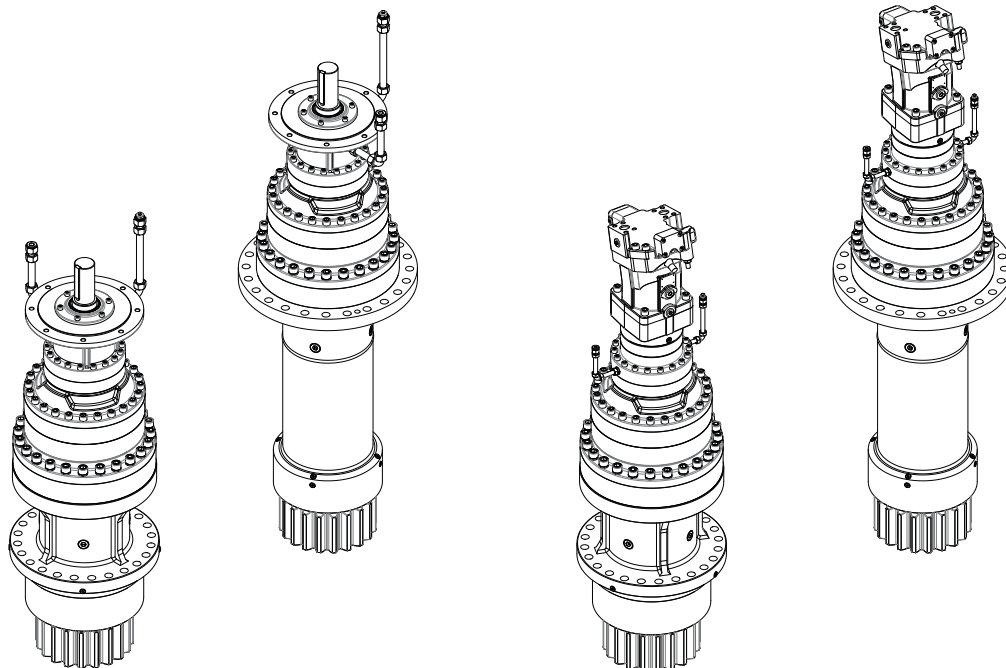
Note: 1, All bearings of gearbox are lubricated by oil, except for the end of the output shaft bearings is grease lubrication.  
2, Above table viscosity is only for the temperature under 40°C.  
3, Ambient temperature below -10°C must use synthetic oil.  
4, To make sure the long using life, we suggest to use synthetic oil.  
5, If the ambient temperature is not in the range of table, please contact BONENG.

## 10 附件 ( 具体请垂询 )

- 齿轮箱
- 液压马达
- 电动机
- 力矩限制器/力矩限制联轴器
- 电机安装法兰
- 阀块
- 制动器
- 小齿轮

## 10 Accessories (on request)

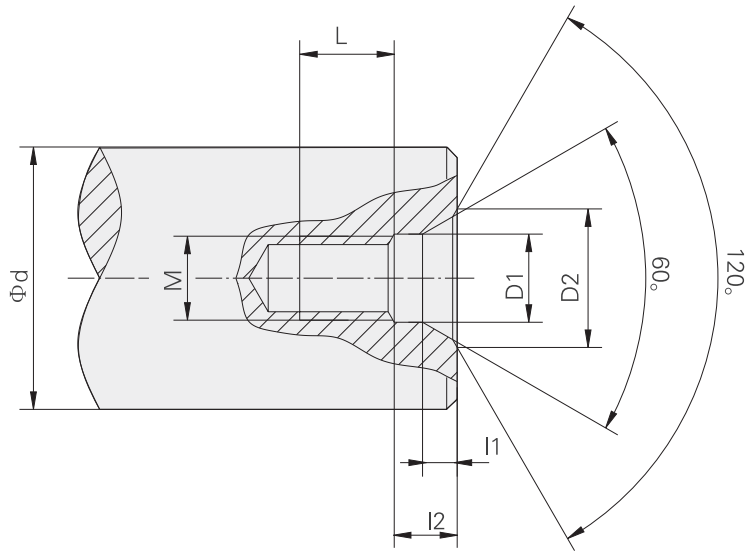
- Gearbox
- Hydraulic motor
- Electric motor
- Torque limiter/ torque limit coupling
- Motor mounting flange
- Valve block
- Brake
- Pinion



# 11 轴端中心孔

# 11 End shaft central hole

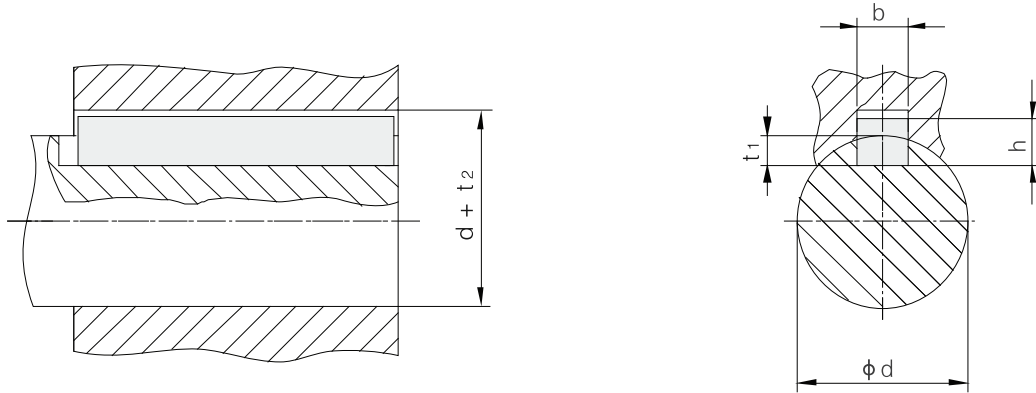
轴端C型螺纹中心孔/C type screw central hole



| d             | M   | L  | l2  | l1  | D1   | D2   |
|---------------|-----|----|-----|-----|------|------|
| 7 < d ≤ 10    | M3  | 10 | 2.6 | 1.8 | 3.2  | 5.8  |
| 10 < d ≤ 13   | M4  | 10 | 3.2 | 2.1 | 4.3  | 7.4  |
| 13 < d ≤ 16   | M5  | 10 | 4   | 2.4 | 5.3  | 8.8  |
| 16 < d ≤ 21   | M6  | 12 | 5   | 2.8 | 6.4  | 10.5 |
| 21 < d ≤ 24   | M8  | 12 | 6   | 3.3 | 8.4  | 13.2 |
| 24 < d ≤ 30   | M10 | 15 | 7.5 | 3.8 | 10.5 | 16.3 |
| 30 < d ≤ 38   | M12 | 20 | 9.5 | 4.4 | 13   | 19.8 |
| 38 < d ≤ 50   | M16 | 25 | 12  | 5.2 | 17   | 25.3 |
| 50 < d ≤ 85   | M20 | 30 | 15  | 6.4 | 21   | 31.3 |
| 85 < d ≤ 130  | M24 | 35 | 18  | 8   | 25   | 38   |
| 130 < d ≤ 225 | M30 | 45 | 18  | 11  | 31   | 48   |

## 12 平键与键槽尺寸

## 12 Key and keyway dimension



| d             | b  | h  | t <sub>1</sub> | d + t <sub>2</sub> |
|---------------|----|----|----------------|--------------------|
| 8 < d ≤ 10    | 3  | 3  | 1.8            | d + 1.4            |
| 10 < d ≤ 12   | 4  | 4  | 2.5            | d + 1.8            |
| 12 < d ≤ 17   | 5  | 5  | 3              | d + 2.3            |
| 17 < d ≤ 22   | 6  | 6  | 3.5            | d + 2.8            |
| 22 < d ≤ 30   | 8  | 7  | 4              | d + 3.3            |
| 30 < d ≤ 38   | 10 | 8  | 5              | d + 3.3            |
| 38 < d ≤ 44   | 12 | 8  | 5              | d + 3.3            |
| 44 < d ≤ 50   | 14 | 9  | 5.5            | d + 3.8            |
| 50 < d ≤ 58   | 16 | 10 | 6              | d + 4.3            |
| 58 < d ≤ 65   | 18 | 11 | 7              | d + 4.4            |
| 65 < d ≤ 75   | 20 | 12 | 7.5            | d + 4.9            |
| 75 < d ≤ 85   | 22 | 14 | 9              | d + 5.4            |
| 85 < d ≤ 95   | 25 | 14 | 9              | d + 5.4            |
| 95 < d ≤ 110  | 28 | 16 | 10             | d + 6.4            |
| 110 < d ≤ 130 | 32 | 18 | 11             | d + 7.4            |
| 130 < d ≤ 150 | 36 | 20 | 12             | d + 8.4            |
| 150 < d ≤ 170 | 40 | 22 | 13             | d + 9.4            |
| 170 < d ≤ 200 | 45 | 25 | 15             | d + 10.4           |
| 200 < d ≤ 230 | 50 | 28 | 17             | d + 11.4           |
| 230 < d ≤ 260 | 56 | 32 | 20             | d + 12.4           |

### 13 设计参数表

### 13 Parameter table

公司名称/Company name: \_\_\_\_\_

地址/Address: \_\_\_\_\_

联系人/Contact: \_\_\_\_\_

电话/Tel: \_\_\_\_\_ 传真/Fax: \_\_\_\_\_

应用/Application: \_\_\_\_\_ ( 举例: 门座起重机、克令吊、汽车吊、船载起重等 ) / ( e.g. gantry crane, crane, mobile crane, ship offshore harbor crane etc. )

用于/Used for: \_\_\_\_\_ ( 举例: 回转减速等 ) / ( e.g. slewing deceleration etc. )

| 工况概述/Operating condition   | 技术参数/Technical data  |
|--|--|
| 额定输出扭矩/Rated output torque $T_{dyn}$ : [KNm]   | 输出小齿轮/Output pinion:   |
| 最大动态输出扭矩/Max. dynamic output torque $T_{dyn\ max}$ : [KNm]                                       | 模数/Normal module $m$ : [mm]  |
| 静态输出扭矩/Static output torque $T_{stat}$ : [KNm]   | 齿数/Number of teeth $Z$ :   |
|  | 齿宽/Tooth width $b$ : [mm]  |
| 输入转速/Input speed $n_1$ : [m/min]   | 变位系数/Modification factor $X$ :   |
| 输出转速/Output speed $n_2$ : [m/min]  |  |
| 公称减速比/Nominal ratio $i_N$ :  | <input type="checkbox"/> 小齿轮分体/Pinion two-pieces:  |
| 偏心/Eccentricity: [mm]  | <input type="checkbox"/> DIN5480花键连接/Spline connection <input type="checkbox"/> 平键联接/Parallel key connection |
| 法兰安装形式: <input type="checkbox"/> 法兰/Flange A 输出长轴壳体长度 $L$ : [mm]                                 | <input type="checkbox"/> 小齿轮一体/Pinion one-piece  |
| Flange mounting method <input type="checkbox"/> 法兰/Flange B output long shaft housing length $L$ | <input type="checkbox"/> 小齿轮齿面高频淬火表面硬化/Pinion surface high frequency quenching, surface hardening            |
| 安装位置/Mounting position: 输出齿轮/output gear   | <input type="checkbox"/> 小齿轮渗碳淬火磨齿/Pinion quenching, grinding gears  |
| <input type="checkbox"/> 上/Up <input type="checkbox"/> 下/Down <input type="checkbox"/> 水平/Level  | 中心距/Center distance $A$ : [mm]   |

分类按/Classify as FEM1.001---ISO4301

设备分组/Drive unit group M: \_\_\_\_\_ 起重等级/The load spectrum L: \_\_\_\_\_ 工作时间等级/Running time classification T: \_\_\_\_\_

驱动单元/Drive unit

|   |  |
|---|--|
| <input type="checkbox"/> 电机驱动/electric motor drive:<br>型号/Type: _____<br>功率/Power $P$ : _____ [KW]<br>额定转速/Rated speed $n$ : _____ [rpm]<br>起动转矩/Starting torque $M_A$ : _____ [Nm]<br>极限转矩/Breakdown torque $T_k$ : _____ [Nm]<br>起动时间/Starting time $E_D$ : _____ [%]<br>每小时起动/Starting per hour: _____ | <input type="checkbox"/> 液压马达驱动/hydraulic motor drive<br>型号/Type: _____<br>有效流量/Available oil flow $q_v$ : _____ [L/min]<br>有效压力差/Available pressure difference $\Delta P$ : _____ [bar]<br>排量/Displacement $V_g$ : _____ [cm <sup>3</sup> ] |
|---|--|

制动/Brake

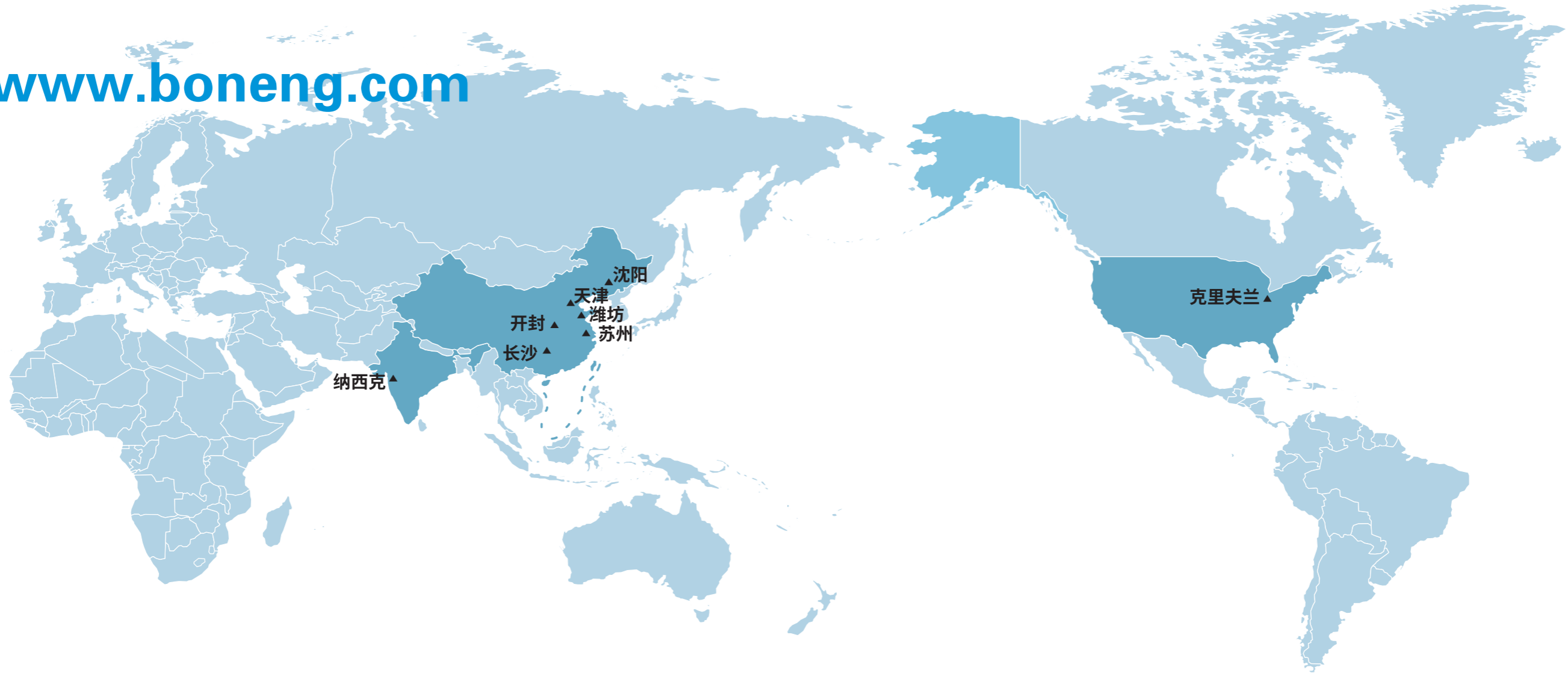
|   |  |
|---|--|
| 类型/Apply as <input type="checkbox"/> 驻车制动/parking brake | 应用类型/Actuation <input type="checkbox"/> 液压/hydraulically |
|   | 工作压力最小/Min. release pressure _____ [bar]                 |
|   | 工作压力最大/Max. release pressure _____ [bar]                 |
| <input type="checkbox"/> 工作制动/service braking           | <input type="checkbox"/> 电力/磁力 electric/ magnetic        |

目前供货范围 ( 具体请垂询 ) /Scope of supply (on request)

- 齿轮箱/Gearbox                       力矩限制器/力矩限制联轴器/Torque limiter/ torque limit coupling    制动器/Brake  
 液压马达/Hydraulic motor            电机安装法兰/Motor mounting flange                       小齿轮/Pinion  
 电动机/Electric motor                       阀块/Valve block

备注和特殊要求/Remarks and special requests: \_\_\_\_\_

有关本公司产品目录的内容，随着技术进步等，将会有变更，望谅解！



▲ 组装公司

**博能传动(印度)有限公司**

Plot No. E-10/3, MIDC sinnar (Malegaon)  
Industrial Area, Nashik, 422123,  
Maharashtra, India.  
TEL:+91-11- 4507 6293 (DELHI)  
TEL:+91-22-2781 3385 (MUMBAI)

**博能传动(沈阳)有限公司**

沈阳市沈北新区太平洋工业城A区A73-6号 110013  
TEL: 024-31271571

**博能传动(天津)有限公司**

天津市北辰区双海道6号宏鹏工业园7号车间 300021  
TEL: 022-26929556

**博能传动(潍坊)有限公司**

山东省潍坊市安丘市经济开发区汶水路与  
昆仑大街交叉口往北100米路东1号车间 261000  
TEL: 0536-2141166

**博能传动(开封)有限公司**

河南省开封市宋城路四大街11号海神机械院内五号厂房 475000  
TEL: 0371-23335238

**博能传动(长沙)有限公司**

长沙市望城经济开发区普瑞大道1288号 410205  
TEL: 0731-88386958

**博能传动(苏州)有限公司**

江苏省苏州市相城区如元路100号 215131  
TEL: 0512-66189662 (总部)

**博能传动(美国)有限公司**

1250 E 222nd Euclid, OH 44117, United Staes  
TEL: 1-216-618-3099  
TEL: 1-216-618-0138

**博能传动(苏州)有限公司 /BONENG TRANSMISSION (SUZHOU) CO.,LTD**

苏州市相城区如元路100号 /100#, Ruyuan Rd.,Xiangcheng District,Suzhou,China

TEL:+86-512-66189999

FAX:+86-512-66189888

info@boneng.com

www.boneng.com