

K 斜齿 - 锥齿齿轮马达

K Helical-Bevel Gearmotor



K斜齿-锥齿齿轮  
马达

K Helical-Bevel  
Gearmotor

Edit date 05/2026  
Selection Catalogue: C05.0018



控制器/驱动器/马达/  
齿轮马达/齿轮箱

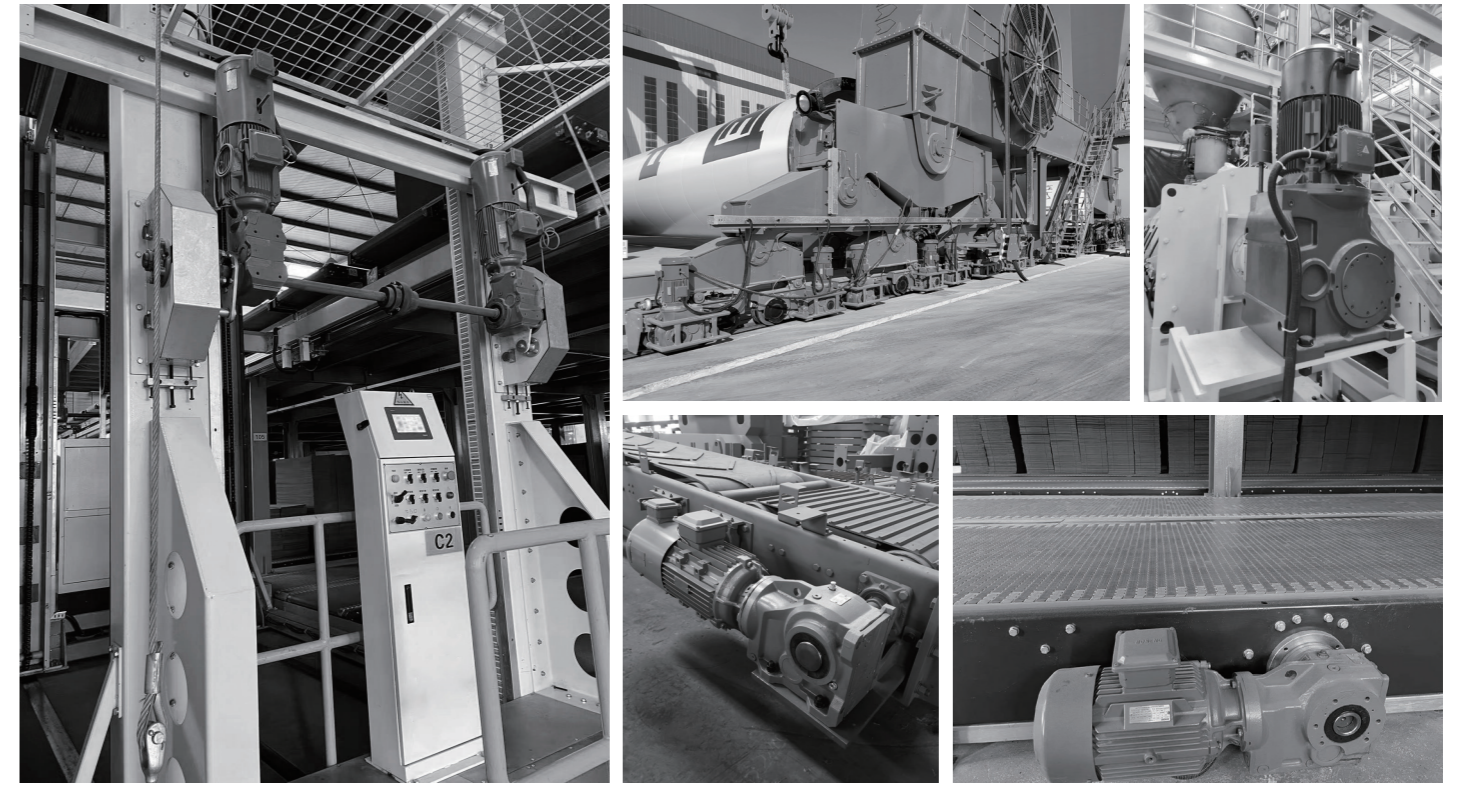
Controller/ Drive/ Motor/  
Gearmotor/ Gearbox

## K斜齿-锥齿齿轮马达

- ◆ 灵活多变的模块化理念设计的齿轮马达。
- ◆ 直交传动结构，节省安装空间，满足多种传动结构需求。
- ◆ 有限元优化铸造箱体，提高30%的运行稳定性和抗震性能。
- ◆ 高达94%的模块化设计，便于当地组装生产，更加快捷的生产和物流周期。
- ◆ 高可靠性和长设计寿命可有效降低您的使用成本及维护成本。
- ◆ 多种输出及布置形式可满足400多种安装使用方式。

## K Helical-Bevel Gearmotor

- ◆ Gearmotor with flexible and modular design.
- ◆ Orthogonal transmission structure saves mounting space and meets the needs of various transmission structures.
- ◆ The FEA design of the casting housing improves the stability of operation and seismic performance by 30%.
- ◆ Up to 94% modular design, international production, faster production and logistics cycles.
- ◆ High reliability and long design life can effectively reduce your use and maintenance costs.
- ◆ A variety of output and assemblies can meet more than 400 mounting cases.



产品广泛应用于港口、起重、电力、采矿、水泥、造纸、化工等各个领域。

博能传动公司总部和各大区域的技术专家以及各区域办事处的应用工程师、售后服务技师竭诚为您提供全面的技术咨询和完美的服务。

Products are widely used in Port, Crane, Power, Mining, Cement, Paper, Chemical and other fields.

Boneng Transmission company headquarters and major regional technical experts and regional offices of the application engineers, after-sales service technicians dedicated to provide you with comprehensive technical advice and perfect service.

# 目录

# Contents

## 注意事项:

- ◆ 样本中的结构示意图、外形图及其他附图只属范例，无严格比例要求。（未注尺寸单位均为mm）。
- ◆ 所注重量仅为平均值，并不具有约束力。

## ⚠️ 必须严格遵守以下各项:

- ◆ 为防止意外事故发生，所有旋转部件均按照使用者所在国家和地区的安全规范由购置方加罩保护。
- ◆ 试车之前必须认真阅读使用说明书。
- ◆ 齿轮马达在供货时已处于准运行状态，运行前需加注润滑油。
- ◆ 本样本中注油量只作为参考值，实际注油量应以油镜上的标记为准。
- ◆ 润滑油粘度应按齿轮马达使用工况及使用环境温度选取。
- ◆ 推荐采用知名品牌的润滑油。

## Note:

- ◆ The structure scheme, appearance diagram and other attached diagrams in sample are examples, there is no strict proportion requirement.(The unmarked dimension units are mm).
- ◆ The marked weight is average value,it has no constraint force.

## ⚠️ You must conform to the following instructions:

- ◆ To prevent accidents,all the rotation parts are added with protective covers according to the safety regulations of the nation and region.
- ◆ Before debugging,you should carefully read instruction book.
- ◆ Gearbox is on running-permission status when delivered,you should add lubrication oil before putting it into running.
- ◆ The marked oil quantity in sample is only reference value,actual oil filling quantity should be the same with the mark on oil immersion lens.
- ◆ Lubrication oil viscosity should be selected according to working situation and application environment temperature of gearmotor.
- ◆ You can only apply lubrication oil of internationally famous brand.

|                    |    |  |    |
|--------------------|----|--|----|
| 01.型号表示方法 .....    | 01 | 01.Type Designation .....                                  | 03 |
| 02.选型及举例 .....     | 05 | 02.Type Selection and Example .....                        | 07 |
| 03.传动能力表 .....     | 09 | 03.Transmission Capacity .....                             | 09 |
| 04.允许的径向力 .....    | 21 | 04.Permissible Radial Force .....                          | 21 |
| 05.外形尺寸图表 .....    | 23 | 05.Dimensions .....  | 23 |
| 06.输入法兰和输入轴 .....  | 53 | 06.Input Flange and Input shaft .....                      | 53 |
| 07.马达防雨罩尺寸 .....   | 62 | 07.Motor Rainproof Cover Dimensions .....                  | 62 |
| 08.被驱动轴推荐尺寸 .....  | 63 | 08.Recommended Dimensions for Driven Equipment Shaft ..... | 63 |
| 09.轴端中心孔尺寸 .....   | 65 | 09.Shaft End Centre Hole .....                             | 65 |
| 10.平键与键槽的尺寸 .....  | 66 | 10.Dimension of Parallel Key and Keyway .....              | 66 |
| 11.可选附件和指定配置 ..... | 67 | 11.Accessories & Specific Configuration .....              | 67 |
| 12.润滑油 .....       | 69 | 12.Oil .....   | 69 |
| 13.重量表 .....       | 71 | 13.Weight .....  | 71 |

### 1 型号表示方法

K 3 04 H A - C32 - D1 0 1 -

系列名 \_\_\_\_\_

传动级数 \_\_\_\_\_  
3级

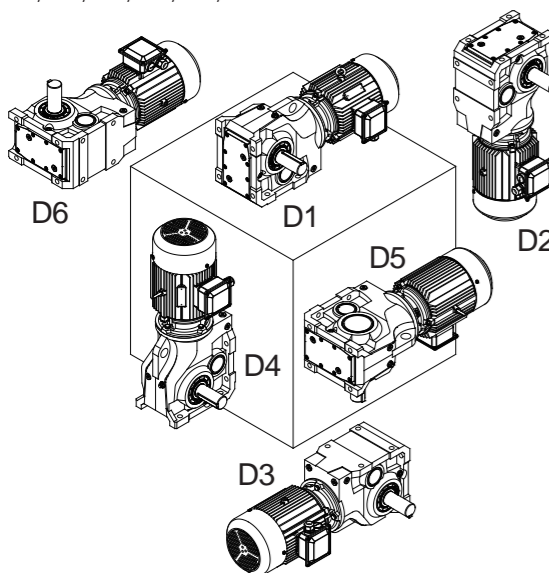
机座号 \_\_\_\_\_

安装形式 \_\_\_\_\_  
H=底脚安装  
F=法兰安装  
S=小法兰安装  
A=轴装式安装  
T=带底面扭力臂附件安装  
U=带侧面扭力臂附件安装

输出形式 \_\_\_\_\_  
A/B/D/E=单向平键实心轴  
C/F=双向平键实心轴  
G/H=平键空心轴  
I/J=锁紧盘空心轴  
K/L=渐开线花键空心轴

公称减速比代号 \_\_\_\_\_

安装方位 \_\_\_\_\_  
D1/D2/D3/D4/D5/D6



可选附件和指定配置 \_\_\_\_\_  
0=无可选  
1=齿轮非常规安装

润滑油代号 \_\_\_\_\_  
0=不加润滑油 (不加油出厂时, 请选此项)  
1=矿物润滑油VG220 (环境温度为-20°C~+40°C, K303~K312需加油出厂时, 请选此项)  
2=矿物润滑油VG320 (环境温度为-20°C~+40°C, K315~K318需加油出厂时, 请选此项)  
5=合成润滑油VG220 (环境温度<0°C,需加油出厂时, 推荐选用此项)

- ◆配IEC马达输入法兰的齿轮箱型号示例:K308HA-C32-D101-AP112
- ◆配NEMA马达输入法兰的齿轮箱型号示例:K308HA-C32-D101-AN145
- ◆配输入轴的齿轮箱型号示例:K308HA-C32-D101-AE3

MP132M4B55AC 3 - A 0 N 0 0 - 0 1 1

进线孔位置  
1/2/3/4

接线盒位置  
1/2/3/4

安装方位0

防护等级

0=标准配置

热保护和加热保护

0=无绕组保护 1=热敏电阻 2=热敏开关 3=温度传感器PT100 4=加热带  
5=热敏电阻和加热带 6=热敏开关和加热带 7=温度传感器PT100和加热带

制动器和逆止器 (旋向关系见: “可选附件和指定配置”)

|  |  |
|--|--|
| N=无制动器<br>A=220-240VAC制动器<br>D=220-240VAC制动器带手柄<br>B=380-415VAC制动器<br>E=380-415VAC制动器带手柄<br>R=220-240VAC双制动器带手柄<br>S=380-415VAC双制动器带手柄<br>P=逆止器(顺时针) <sup>1)</sup><br>Q=逆止器(逆时针) | N=无制动器<br>B=380-415VAC制动器<br>E=380-415VAC制动器带手柄<br>S=380-415VAC双制动器带手柄<br>P=逆止器(顺时针)<br>Q=逆止器(逆时针) |
|--|--|

编码器

0=无编码器 3=经济型HTL编码器(1024P) 4=高性能TTL编码器(1024P)  
1=高性能HTL编码器(1024P) 2=标配编码器附件

冷却方式

A=自扇冷却 F=强冷风机 (配编码器必选;其他不建议选) N=自然冷却 (双制动马达专用)

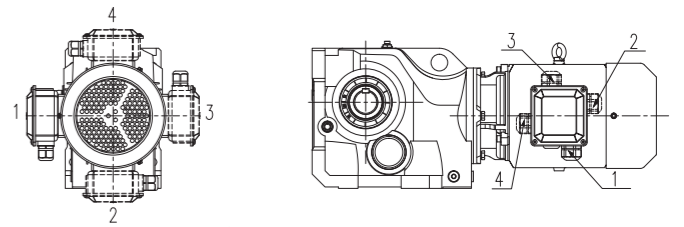
|   |   |
|---|---|
| 频率/电压<br>1=50Hz 220V△/380VY<br>2=50Hz 230V△/400VY<br>7=60Hz 440VY<br>8=60Hz 460VY<br>A=50Hz 240V△/415VY<br>C=60Hz 480VY<br>E=60Hz 220V△/380VY | 频率/电压<br>3=50Hz 380V△/660VY<br>4=50Hz 400V△/690VY<br>5=60Hz 440V△<br>6=60Hz 460V△<br>B=50Hz 415V△<br>D=60Hz 480V△<br>F=60Hz 380V△ |
|---|---|

#### 三相交流异步马达4极规格

| 功率 (kW) | MP=IE3       | MU=IE4       | 功率 (kW) | MP=IE3       | MU=IE4       |
|---------|--------------|--------------|---------|--------------|--------------|
| 0.12    | MP063M4A12AL | MU063M4A12AL | 4       | MP112L4B40AC | MU132S4B40AC |
| 0.18    | MP063M4A18AL | MU071M4A18AL | 5.5     | MP132M4B55AC | MU132M4B55AC |
| 0.25    | MP071M4A25AL | MU071M4A25AL | 7.5     | MP132L4B75AC | MU160M4B75AC |
| 0.37    | MP071M4A37AL | MU080M4A37AL | 11      | MP160M4C11AC | MU160L4C11AC |
| 0.55    | MP080M4A55AL | MU080M4A55AL | 15      | MP160L4C15AC | MU180M4C15AC |
| 0.75    | MP080M4A75AL | MU090S4A75AL | 18.5    | MP180M4C18AC | MU180L4C18AC |
| 1.1     | MP090S4B11AL | MU090L4B11AL | 22      | MP180L4C22AC | MU200L4C22AC |
| 1.5     | MP090M4B15AL | MU100L4B15AL | 30      | MP200M4C30AC | MU225S4C30AC |
| 2.2     | MP100M4B22AL | MU100L4B22AL | 37      | MP225M4C37AC | MU225M4C37AC |
| 3       | MP100M4B30AL | MU112M4B30AC | 45      | MP225M4C45AC | MU250M4C45AC |
| /       | /            | /            | 55      | MP250M4C55AC | MU280S4C55AC |
| /       | /            | /            | 75      | MP280S4C75AC | MU280M4C75AC |
| /       | /            | /            | 90      | MP280M4C90AC | MU280M4C90AC |

- 1) 逆止器可选电机机座号范围为100~280, 顺逆时针视角为从电机轴伸端向电机风扇罩;
- 2) 齿轮箱输出轴旋向和逆止器选项的关系详见“可选附件和指定配置”。

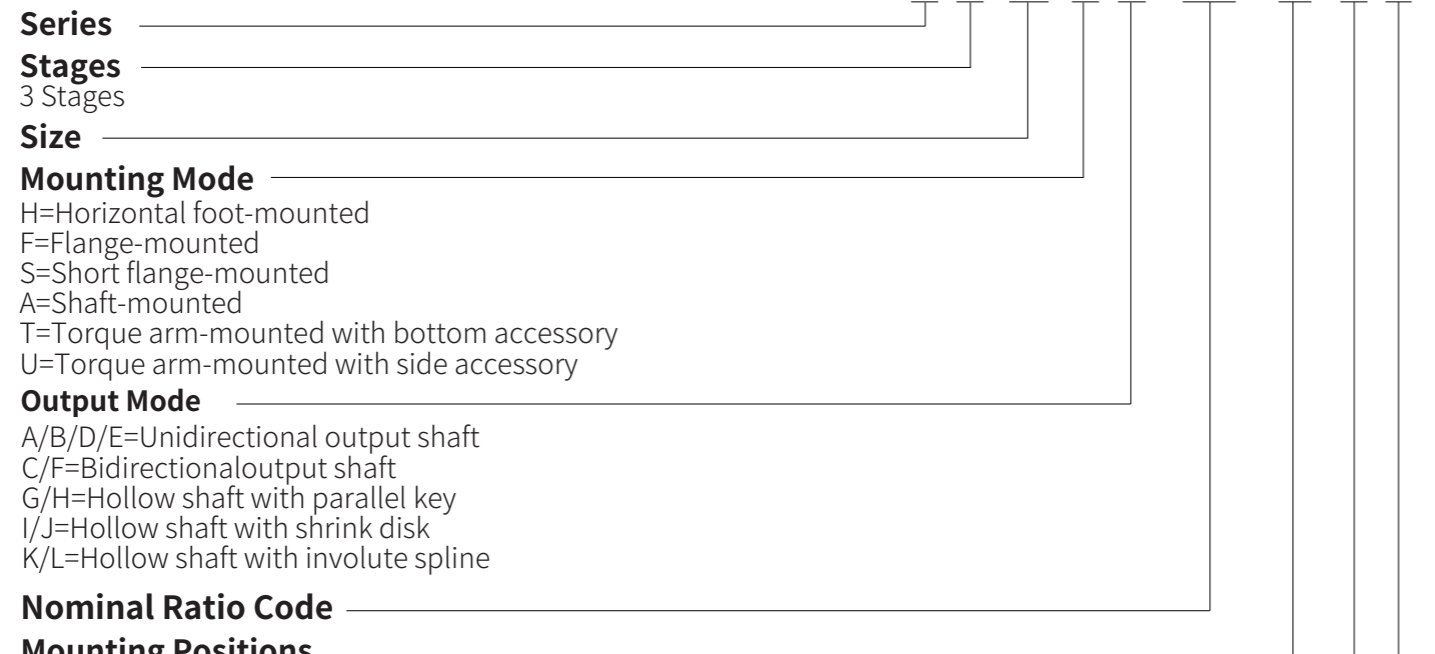
#### 马达接线盒和进线孔位置 (视角:D1方位马达尾部)



整机标配颜色 (RAL5015), 满足C2低腐蚀环境, 干膜总厚度80-100μm

1=带防雨罩 J=带金属接头 K=带金属接头和防雨罩  
4=IP65/金属接头 (制动器和风机防护IP55) 5=IP65/金属接头和带防雨罩 (制动器和风机防护IP55)

### 1 Type Designation



**Series** \_\_\_\_\_

**Stages** \_\_\_\_\_

3 Stages

**Size** \_\_\_\_\_

**Mounting Mode** \_\_\_\_\_

- H=Horizontal foot-mounted
- F=Flange-mounted
- S=Short flange-mounted
- A=Shaft-mounted
- T=Torque arm-mounted with bottom accessory
- U=Torque arm-mounted with side accessory

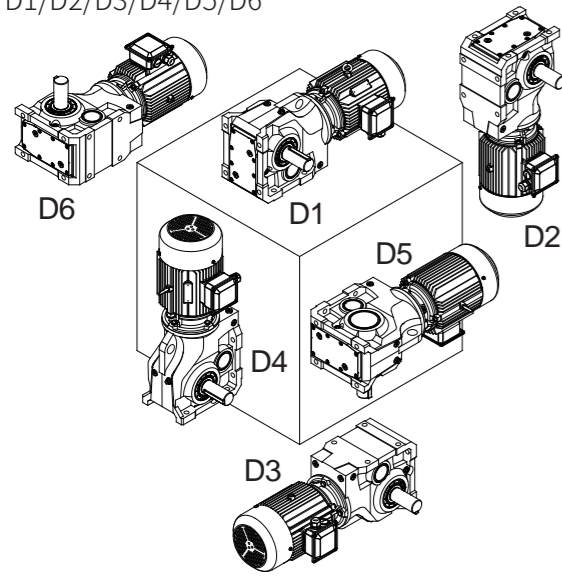
**Output Mode** \_\_\_\_\_

- A/B/D/E=Unidirectional output shaft
- C/F=Bidirectional output shaft
- G/H=Hollow shaft with parallel key
- I/J=Hollow shaft with shrink disk
- K/L=Hollow shaft with involute spline

**Nominal Ratio Code** \_\_\_\_\_

**Mounting Positions** \_\_\_\_\_

D1/D2/D3/D4/D5/D6



### Accessories and Specific Configuration

- 0=None
- 1=Unconventional installation of gear

**Oil Code** \_\_\_\_\_

- 0=Without oil filling(Please select this option when you do not need lubricating oil);
- 1=With mineral oil VG220(Please select this option when the ambient temperature is -20°C~+40°C, and K303~K312 need lubricating oil);
- 2=With mineral oil VG320(Please select this option when the ambient temperature is -20°C~+40°C, and K315~K318 need lubricating oil);
- 5=With synthetic lubricating oil VG220(It is recommended to select this option when you need lubricating oil and the ambient temperature is below 0°C);

- ◆ Example of gearbox with input flange for IEC motor connection:K308HA-C32-D101-AP112
- ◆ Example of gearbox with input flange for NEMA motor connection:K308HA-C32-D101-AN145
- ◆ Example of gearbox with input shaft:K308HA-C32-D101-AE3

MP132M4B55AC 3 - A 0 N 0 0 - 0 1 1

**Cable Entry Position**

1/2/3/4

**Terminal Box Position**

1/2/3/4

**Motor Mounting Position 0**

**Motor protection**

- 0=Standard configuration
- 1=With rain cover
- J=With metal joint

Assembly colour of gearmotor (RAL 5015), can be applied in C2 low-corrosion environment. Thickness of dry film can be 80-100 μm

- K=With metal joint and rain cover
- 4=IP65/with metal joint (brake and forced-fan IP55)
- 5=IP65/with metal joint and rain cover

**Thermal Protection and Heating Protection**

- 0=Without thermal protection
- 1=Thermistor
- 2=Thermal switch
- 3= PT100 temperature sensor
- 4=Heating belt
- 5=Thermistor and heating belt and heating protection
- 6=Thermal switch and heating belt
- 7= PT100 temperature sensor and heating belt

**Brakes and Backstop (Relationship of rotational direction can be checked in "Accessories & Specific Configuration".)**

- N=No brake
- A=220-240VAC Brake
- D=220-240VAC Brake with release handle
- B=380-415VAC Brake
- E=380-415VAC Brake with release handle
- R=220-240VAC Double brake with release handle
- S=380-415VAC Double brake with release handle
- P=Backstop (CW)<sup>1)</sup>
- Q=Backstop (CCW)

- N=No brake
- B=380-415VAC Brake
- E=380-415VAC Brake with release handle
- S=380-415VAC Double brake with release handle
- P=Backstop (CW)
- Q=Backstop (CCW)

**Encoder**

- 0=No encoder
- 1=High-performance HTL encoder(1024P)
- 4=High-performance TTL encoder(1024P)
- 2=Standard encoder accessories
- 3=Economic HTL encoder(1024P)

**Cooling Method**

- A=Self-fan cooling
- F=Forced-fan cooling
- N=Natural cooling (for motor with double brake)

|                       |                    |                       |                    |
|-----------------------|--------------------|-----------------------|--------------------|
| Frequency<br>/Voltage | 1=50Hz 220V△/380VY | Frequency<br>/Voltage | 3=50Hz 380V△/660VY |
|                       | 2=50Hz 230V△/400VY |                       | 4=50Hz 400V△/690VY |
|                       | 7=60Hz 440VY       |                       | 5=60Hz 440V△       |
|                       | 8=60Hz 460VY       |                       | 6=60Hz 460V△       |
|                       | A=50Hz 240V△/415VY |                       | B=50Hz 415V△       |
|                       | C=60Hz 480VY       |                       | D=60Hz 480V△       |
|                       | E=60Hz 220V△/380VY |                       | F=60Hz 380V△       |

**Efficiency three-phase asynchronous motor (4 pole)**

| Power (kW) | MP=IE3       | MU=IE4       | Power (kW) | MP=IE3       | MU=IE4       |
|------------|--------------|--------------|------------|--------------|--------------|
| 0.12       | MP063M4A12AL | MU063M4A12AL | 4          | MP112L4B40AC | MU132S4B40AC |
| 0.18       | MP063M4A18AL | MU071M4A18AL | 5.5        | MP132M4B55AC | MU132M4B55AC |
| 0.25       | MP071M4A25AL | MU071M4A25AL | 7.5        | MP132L4B75AC | MU160M4B75AC |
| 0.37       | MP071M4A37AL | MU080M4A37AL | 11         | MP160M4C11AC | MU160L4C11AC |
| 0.55       | MP080M4A55AL | MU080M4A55AL | 15         | MP160L4C15AC | MU180M4C15AC |
| 0.75       | MP080M4A75AL | MU090S4A75AL | 18.5       | MP180M4C18AC | MU180L4C18AC |
| 1.1        | MP090S4B11AL | MU090L4B11AL | 22         | MP180L4C22AC | MU200L4C22AC |
| 1.5        | MP090M4B15AL | MU100L4B15AL | 30         | MP200M4C30AC | MU225S4C30AC |
| 2.2        | MP100M4B22AL | MU100L4B22AL | 37         | MP225M4C37AC | MU225M4C37AC |
| 3          | MP100M4B30AL | MU112M4B30AC | 45         | MP225M4C45AC | MU250M4C45AC |
| /          | /            | /            | 55         | MP250M4C55AC | MU280S4C55AC |
| /          | /            | /            | 75         | MP280S4C75AC | MU280M4C75AC |
| /          | /            | /            | 90         | MP280M4C90AC | MU280M4C90AC |

1) Range of motor flame with backstop is 100~280.

View of CW (clockwise) or CCW (counter-clockwise) rotation is from motor shaft-head to fan cover.

2) Relationship of output shaft rotational direction and motor backstop selection can be checked in "Accessories & Specific Configuration".

2 选型及举例

| 序号   | 说明                                | 代号                               | 单位        | 参数   |      |             |       |  |    |      |       |      |      |      |      |      |      |      |      |      |      |      |      |
|------|-----------------------------------|----------------------------------|-----------|--|------|-------------|-------|--|----|------|-------|------|------|------|------|------|------|------|------|------|------|------|------|
| 1    | 确定马达的功率                           | P <sub>1</sub>                   | kW        | 按设备需求确认马达功率  |      |             |       |  |    |      |       |      |      |      |      |      |      |      |      |      |      |      |      |
| 2    | 由马达极数、频率、电压确认马达额定转速               | n <sub>1N</sub>                  | r/min     | ≤3000rpm 更高转速请咨询   |      |             |       |  |    |      |       |      |      |      |      |      |      |      |      |      |      |      |      |
| 3    | 齿轮箱的输出转速                          | n <sub>2N</sub>                  | r/min     | i=n <sub>1N</sub> /n <sub>2N</sub>   |      |             |       |  |    |      |       |      |      |      |      |      |      |      |      |      |      |      |      |
| 4    | 输出扭矩                              | T                                | N.m       | T=P <sub>1</sub> •9550/n <sub>2N</sub> , 需要校核输出扭矩是否满足负载设备需求  |      |             |       |  |    |      |       |      |      |      |      |      |      |      |      |      |      |      |      |
| 5    | 选择齿轮箱的服务系数                        | f <sub>1</sub>                   | /         | <table border="1"> <thead> <tr> <th rowspan="2">负荷性质</th> <th colspan="3">每天使用时间 (小时)</th> </tr> <tr> <th>≤2</th> <th>2~10</th> <th>10~24</th> </tr> </thead> <tbody> <tr> <td>均匀负载</td> <td>1.00</td> <td>1.00</td> <td>1.25</td> </tr> <tr> <td>一般冲击</td> <td>1.00</td> <td>1.25</td> <td>1.50</td> </tr> <tr> <td>强烈冲击</td> <td>1.25</td> <td>1.50</td> <td>1.75</td> </tr> </tbody> </table> | 负荷性质 | 每天使用时间 (小时) |       |  | ≤2 | 2~10 | 10~24 | 均匀负载 | 1.00 | 1.00 | 1.25 | 一般冲击 | 1.00 | 1.25 | 1.50 | 强烈冲击 | 1.25 | 1.50 | 1.75 |
|      |                                   |                                  |           | 负荷性质   |      | 每天使用时间 (小时) |       |  |    |      |       |      |      |      |      |      |      |      |      |      |      |      |      |
|      |                                   |                                  |           |  | ≤2   | 2~10        | 10~24 |  |    |      |       |      |      |      |      |      |      |      |      |      |      |      |      |
|      |                                   |                                  |           | 均匀负载   | 1.00 | 1.00        | 1.25  |  |    |      |       |      |      |      |      |      |      |      |      |      |      |      |      |
| 一般冲击 | 1.00                              | 1.25                             | 1.50      |  |      |             |       |  |    |      |       |      |      |      |      |      |      |      |      |      |      |      |      |
| 强烈冲击 | 1.25                              | 1.50                             | 1.75      |  |      |             |       |  |    |      |       |      |      |      |      |      |      |      |      |      |      |      |      |
| 6    | 确定齿轮箱所需的最小扭矩                      | T <sub>2N</sub>                  | N.m       | T <sub>2N</sub> ≥T•f <sub>1</sub>  |      |             |       |  |    |      |       |      |      |      |      |      |      |      |      |      |      |      |      |
| 7    | 根据输出转速和齿轮箱所需的最小扭矩选定齿轮箱的机座号        | /                                | /         | 查传动能力表和外形尺寸图   |      |             |       |  |    |      |       |      |      |      |      |      |      |      |      |      |      |      |      |
| 8    | 选择齿轮箱的安装形式、输出形式、安装方位、附件、润滑油以及马达附件 | /                                | /         | 查型号表示方法、安装方位及外形尺寸图, 并确认马达附件参数: 制动器、编码器、冷却方式、热保护和加热保护、防护等级(标准IP55)、绝缘等级(F级标准)、接线盒位置和进线孔位置   |      |             |       |  |    |      |       |      |      |      |      |      |      |      |      |      |      |      |      |
| 9    | 确定型号                              | /                                | /         | 查型号表示方法  |      |             |       |  |    |      |       |      |      |      |      |      |      |      |      |      |      |      |      |
| 10   | 根据齿轮级数, 确定齿轮箱传动效率                 | η                                | /         | K3.. 三级: 94%, K4.. 四级: 92%<br>K5.. 五级: 90%, K6.. 六级: 88%   |      |             |       |  |    |      |       |      |      |      |      |      |      |      |      |      |      |      |      |
| 11   | 准确的输出扭矩和输出转速校核                    | T <sub>2</sub> 、n <sub>2</sub>   | N.m、r/min | T <sub>2</sub> =9550•P <sub>1</sub> •i <sub>ex</sub> •η/n <sub>1N</sub> 和 n <sub>2</sub> =n <sub>1N</sub> /i <sub>ex</sub><br>查传动能力表, 确定精确减速比i <sub>ex</sub>   |      |             |       |  |    |      |       |      |      |      |      |      |      |      |      |      |      |      |      |
| 12   | 径向力校核                             | F <sub>r1</sub> /F <sub>r2</sub> | N         | 查输入轴/输出轴径向力表   |      |             |       |  |    |      |       |      |      |      |      |      |      |      |      |      |      |      |      |
| 13   | 标准环境                              | /                                | /         | 海拔1000m以下, 环境温度-20℃~40℃, 无防腐要求   |      |             |       |  |    |      |       |      |      |      |      |      |      |      |      |      |      |      |      |
| 14   | 其他环境选型要求需要注意事项                    | /                                | /         | 高海拔(>1000m): 马达降额使用系数参照马达选型手册。<br>高温(>40℃): 马达降额使用系数参照马达选型手册。  |      |             |       |  |    |      |       |      |      |      |      |      |      |      |      |      |      |      |      |
| 15   | 产品特殊要求在订单中备注                      | /                                | /         | 1、油漆RAL色标号的颜色要求:<br>1)、面漆颜色银白色RAL9006;<br>2)、底漆标配颜色氧化铁红RAL3009供货;<br>2、油漆漆膜厚度要求:<br>1)、C3中腐蚀环境, 干膜总厚度150-180um;<br>2)、C5-M高腐蚀环境, 干膜总厚度300-360um;<br>3、低温(-40℃~-20℃), 高速轴油封更换为丁腈橡胶油封;<br>4、马达H级绝缘等级;  |      |             |       |  |    |      |       |      |      |      |      |      |      |      |      |      |      |      |      |
| 16   | 其他特殊要求需非标设计                       | /                                | /         |  |      |             |       |  |    |      |       |      |      |      |      |      |      |      |      |      |      |      |      |

| 序号         | 已知条件   | 选型举例   |           |   |           |            |          |            |
|------------|--|--|-----------|---|-----------|------------|----------|------------|
| 1          | 马达功率P <sub>1</sub> =11kW   | P <sub>1</sub> =11kW   |           |   |           |            |          |            |
| 2          | 50HZ, 380V, 4极电机   | n <sub>1N</sub> =1450r/min   |           |   |           |            |          |            |
| 3          | 设备所需转速n <sub>2</sub> =13r/min  | 查传动能力表, 取公称输出转速n <sub>2N</sub> =12.9r/min, 公称减速比i <sub>N</sub> =112, 公称减速比代号D11  |           |   |           |            |          |            |
| 4          |  | T=P <sub>1</sub> •9550/n <sub>2N</sub> =11x9550/12.9=8143N.m, 满足负载所需扭矩。  |           |   |           |            |          |            |
| 5          | 负荷性质: 一般冲击, 工作16h/天  | f <sub>1</sub> =1.5  |           |   |           |            |          |            |
| 6          | /  | T <sub>2N</sub> ≥T•f <sub>1</sub> =8143x1.5=12215N.m,  |           |   |           |            |          |            |
| 7          | /  | 查传动能力表, 初定减速机型号K312, T <sub>2N</sub> =14500N.m>12215N.m;<br>查K312外形尺寸图, 可直联。   |           |   |           |            |          |            |
| 8          | 齿轮箱: 法兰安装, 单向实心输出A向, D1安装, 无附件, 出厂不加注润滑油;<br>马达: 配380VAC制动器(带手柄)、无编码器、无热保护和特殊防护要求接线盒1号位, 进线孔1号位。 | <table border="1"> <tr> <td>安装形式代号: F</td> <td rowspan="5">自扇冷却代号: A<br/>配380VAC制动器(带手柄)代号: E<br/>马达接线盒位置代号: 1<br/>马达进线孔位置代号: 1</td> </tr> <tr> <td>输出形式代号: A</td> </tr> <tr> <td>安装方位代号: D1</td> </tr> <tr> <td>无附件代号: 0</td> </tr> <tr> <td>不加润滑油代号: 0</td> </tr> </table> | 安装形式代号: F | 自扇冷却代号: A<br>配380VAC制动器(带手柄)代号: E<br>马达接线盒位置代号: 1<br>马达进线孔位置代号: 1 | 输出形式代号: A | 安装方位代号: D1 | 无附件代号: 0 | 不加润滑油代号: 0 |
| 安装形式代号: F  | 自扇冷却代号: A<br>配380VAC制动器(带手柄)代号: E<br>马达接线盒位置代号: 1<br>马达进线孔位置代号: 1                                |  |           |   |           |            |          |            |
| 输出形式代号: A  |  |  |           |   |           |            |          |            |
| 安装方位代号: D1 |  |  |           |   |           |            |          |            |
| 无附件代号: 0   |  |  |           |   |           |            |          |            |
| 不加润滑油代号: 0 |  |  |           |   |           |            |          |            |
| 9          | /  | 查型号表示方法, 选择K312FA-D11-D100-MH160S4C11AC3-A0E00-011   |           |   |           |            |          |            |
| 10         | η  | 0.94   |           |   |           |            |          |            |
| 11         | 设备所需转速n <sub>2</sub> =13r/min  | i <sub>ex</sub> =109.1,<br>T <sub>2</sub> =9550•P <sub>1</sub> •i <sub>ex</sub> •η/n <sub>1N</sub> =9550x11x109.1x0.94/1450=7430N.m,<br>n <sub>2</sub> =n <sub>1N</sub> /i <sub>ex</sub> =1450/109.1=13.3r/min,<br>综上, 满足设备所需输出扭矩及输出转速。                                      |           |   |           |            |          |            |
| 12         | 输出轴径向力45000N   | 查输入轴/输出轴径向力表, 许用径向力71280N, 满足要求。   |           |   |           |            |          |            |
| 13         | 标准环境   | /  |           |   |           |            |          |            |
| 14         | 无其他要求  | /  |           |   |           |            |          |            |
| 15         | 无防腐要求  | /  |           |   |           |            |          |            |
| 16         | 无特殊要求  | /  |           |   |           |            |          |            |

## 2 Type Selection & Example

| Step | Description   | Symbol      | Unit         | Parameters  |
|------|---|-------------|--------------|---|
| 1    | Confirm motor power   | P1          | kW           | Confirm motor power according to equipment requirement  |
| 2    | Confirm nominal motor speed, frequency and voltage.                                 | n1N         | r/min        | ≤3000rpm Consult us if higher speed required.   |
| 3    | Output speed of Gearbox   | n2N         | r/min        | $i=n1N/n2N$   |
| 4    | Output torque   | T           | N.m          | $T=P1 \cdot 9550/n2N$ , It is necessary to check whether output torque can meet the requirement of driven machine.  |
| 5    | Select gearbox service factor   | f1          | /            | Load property   |
|      |   |             |              | Uniform   |
|      |   |             |              | Moderate  |
|      |   |             |              | Heavy   |
| 6    | Confirm minimum torque of gearbox   | T2N         | N.m          | $T2N \geq T \cdot f1$   |
| 7    | Determine gearbox size according to output speed and minimum torque of gearbox      | /           | /            | Check transmission capacity and dimensions.   |
| 8    | Select mounting mode, output mode, accessories, lubricant oil and motor accessories | /           | /            | Check type designation, mounting position and dimensions, confirm motor accessory parameters (brake, protection, protection level (standard IP55), insulation level (standard F), cable entry position and terminal box position)   |
| 9    | Determine type  | /           | /            | Check type designation  |
| 10   | Confirm gearbox transmission efficiency according to gear stages.                   | η           | /            | K3.. 3-stage:94%, K4.. 4-stage:92%<br>K5.. 5-stage:90%, K6.. 6-stage:88%  |
| 11   | Calculate exact output torque and output speed                                      | T2,n2       | N.m<br>r/min | $T2=9550 \cdot P1 \cdot i_{ex} \cdot \eta / n1N$ , $n2=n1N/i_{ex}$<br>Check transmission capacity table to get exact ratio $i_{ex}$   |
| 12   | Proofread radial force  | Fr1/<br>Fr2 | N            | Check radial force table of input/output shaft  |
| 13   | Standard environment  | /           | /            | under 1000m altitude, ambient temperature -20°C~40°C, no anti-corrosion requirement   |
| 14   | Caution for selection requirement of extra environment                              | /           | /            | High altitude (>1000m): Check motor selection catalogue for motor derating service factor.<br>High temperature (>40°C): Check motor selection catalogue for motor derating service factor   |
| 15   | Please comment in the order if special requirement is needed.                       | /           | /            | 1. RAL colour number requirement of Painting:<br>1) Topcoat is silver RAL9006;<br>2) Undercoat is provided with standard iron oxide red RAL3009;<br>2. Film thickness requirement of painting:<br>1) C3 medium-corrosion environment, total thickness of dry film 150~180 μm;<br>2) C5-M high-corrosion environment, total thickness of dry film 300~360 μm;<br>3. With low temperature (-40°C~-20°C), oil seals of high-speed shaft should be replaced by NBR oil seals;<br>4. Motor insulation level H. |
| 16   | Non-standard designation is necessary for extra special requirement                 | /           | /            |   |

| Step | Known Conditions   | Selection Example  |
|------|--|--|
| 1    | Motor power P1 =11kW   | P1=11kW  |
| 2    | 50Hz, 380V, 4-pole motor   | n1N=1450r/min  |
| 3    | Required output speed n2=13r/min   | Check transmission capacity table, select nominal output speed n2N=12.9r/min, nominal ratio $i_N=112$ , nominal ratio code D11   |
| 4    |  | $T=P1 \cdot 9550/n2N=11 \times 9550/12.9=8143N.m$ , can be satisfied with the required torque.   |
| 5    | Load property: Moderate, Operation period 16h perday   | f1=1.5   |
| 6    | /  | $T2N \geq T \cdot f1=8143 \times 1.5=12215N.m$ ,   |
| 7    | /  | Check transmission capacity table to preliminarily select K312 as gearbox type, T2N=14500N.m>12215N.m;<br>Check K312 dimension which can be directly-connected.  |
| 8    | Gearbox: Flange-mounted, unidirectional solid shaft output A, mounting position D1, without accessory, without adding lubricant oil before delivery;<br>Motor: 380VAC brake with handle release is required, without encoder, without thermal protection and heating protection, cable entry position 1 and terminal box position 1. | Mounting mode code: F<br>Output mode code: A<br>Mounting position code: D1<br>Code for no accessory: 0<br>Code for no lubricant oil: 0   |
| 9    | /  | Check type designation and select K312FA-D11-D100-MH160S4C11AC3-A0E00-011  |
| 10   | η  | 0.94   |
| 11   | Required output speed n2=13r/min   | $i_{ex}=109.1$ ,<br>$T2=9550 \cdot P1 \cdot i_{ex} \cdot \eta / n1N=9550 \times 11 \times 109.1 \times 0.94/1450=7430N.m$ ,<br>$n2=n1N/i_{ex}=1450/109.1=13.3r/min$ ,<br>According to the above, output torque and output speed are satisfied. |
| 12   | Radial force of output shaft 45000N  | Check radial force table of input/output shaft, allowable radial force 71280N, which is satisfied with the requirement.  |
| 13   | Standard environment   | /  |
| 14   | Without extra requirement  | /  |
| 15   | Without anti-corrosion requirement   | /  |
| 16   | Without special requirement  | /  |

### 3 传动能力表

3.1 K系列传动能力表  
(n<sub>1N</sub>=1450 r/min, i<sub>N</sub>=4~180)

### 3 Transmission Capacity

3.1 K Transmission Capacity  
(n<sub>1N</sub>=1450 r/min, i<sub>N</sub>=4~180)

| 公称输入转速                     | 公称输出转速                     | 公称减速比代号            | 公称减速比          | 额定输出扭矩                   | 精确减速比           | 额定输入功率                  | 额定输出功率                   | 精确减速比           | 额定输入功率                  | 额定输出功率                   | 精确减速比           | 额定输入功率                  | 额定输出功率                   | 精确减速比           | 额定输入功率                  | 额定输出功率                   | 精确减速比           | 额定输入功率                  |  |  |
|----------------------------|----------------------------|--------------------|----------------|--------------------------|-----------------|-------------------------|--------------------------|-----------------|-------------------------|--------------------------|-----------------|-------------------------|--------------------------|-----------------|-------------------------|--------------------------|-----------------|-------------------------|--|--|
| Nominal Input Speed        | Nominal Output Speed       | Nominal Ratio Code | Nominal Ratio  | Rated Output Torque      | Exact Ratio     | Rated Input Power       | Rated Output Power       | Exact Ratio     | Rated Input Power       | Rated Output Power       | Exact Ratio     | Rated Input Power       | Rated Output Power       | Exact Ratio     | Rated Input Power       | Rated Output Power       | Exact Ratio     | Rated Input Power       |  |  |
| n <sub>1N</sub><br>(r/min) | n <sub>2N</sub><br>(r/min) | Code               | i <sub>N</sub> | T <sub>2N</sub><br>(N.m) | i <sub>ex</sub> | P <sub>1N</sub><br>(kW) | T <sub>2N</sub><br>(N.m) | i <sub>ex</sub> | P <sub>1N</sub><br>(kW) | T <sub>2N</sub><br>(N.m) | i <sub>ex</sub> | P <sub>1N</sub><br>(kW) | T <sub>2N</sub><br>(N.m) | i <sub>ex</sub> | P <sub>1N</sub><br>(kW) | T <sub>2N</sub><br>(N.m) | i <sub>ex</sub> | P <sub>1N</sub><br>(kW) |  |  |
|                            |                            |                    |                | K303                     |                 |                         | K304                     |                 |                         | K305                     |                 |                         | K306                     |                 |                         | K307                     |                 |                         |  |  |
| 1450                       | 363                        | B40                | 4              | 150                      | 3.95            | 5.8                     | 200                      | 4.13            | 7.4                     | 360                      | 4.08            | 13.4                    | 680                      | 4.20            | 24.6                    |                          |                 |                         |  |  |
|                            | 322                        | B45                | 4.5            | 150                      | 4.46            | 5.1                     | 230                      | 4.63            | 7.5                     | 360                      | 4.58            | 11.9                    | 680                      | 4.82            | 21.4                    |                          |                 |                         |  |  |
|                            | 290                        | B50                | 5              | 150                      | 5.08            | 4.48                    | 250                      | 5.23            | 7.3                     | 360                      | 5.18            | 10.6                    | 700                      | 5.14            | 20.7                    |                          |                 |                         |  |  |
|                            | 259                        | B56                | 5.6            | 160                      | 5.74            | 4.23                    | 260                      | 5.81            | 6.8                     | 380                      | 5.75            | 10.0                    | 730                      | 5.59            | 19.8                    |                          |                 |                         |  |  |
|                            | 230                        | B63                | 6.3            | 180                      | 6.42            | 4.25                    | 280                      | 6.19            | 6.9                     | 400                      | 6.56            | 9.3                     | 750                      | 6.02            | 18.9                    |                          |                 |                         |  |  |
|                            | 204                        | B71                | 7.1            | 180                      | 7.24            | 3.77                    | 280                      | 6.95            | 6.1                     | 420                      | 7.41            | 8.6                     | 750                      | 6.90            | 16.5                    | 1300                     | 6.86            | 28.8                    |  |  |
|                            | 181                        | B80                | 8              | 180                      | 8.25            | 3.31                    | 300                      | 7.85            | 5.8                     | 420                      | 8.23            | 7.7                     | 750                      | 8.00            | 14.2                    | 1300                     | 7.81            | 25.3                    |  |  |
|                            | 161                        | B90                | 9              | 180                      | 9.33            | 2.93                    | 310                      | 8.71            | 5.4                     | 430                      | 9.43            | 6.9                     | 750                      | 9.17            | 12.4                    | 1300                     | 8.66            | 22.8                    |  |  |
|                            | 145                        | C10                | 10             | 180                      | 10.6            | 2.59                    | 340                      | 9.98            | 5.2                     | 450                      | 10.4            | 6.6                     | 750                      | 9.78            | 11.6                    | 1300                     | 9.93            | 19.9                    |  |  |
|                            | 129                        | C11                | 11.2           | 180                      | 11.4            | 2.40                    | 360                      | 11.0            | 4.98                    | 460                      | 10.7            | 6.5                     | 750                      | 11.4            | 10.0                    | 1300                     | 11.2            | 17.7                    |  |  |
|                            | 116                        | C13                | 12.5           | 180                      | 12.7            | 2.16                    | 380                      | 12.4            | 4.66                    | 500                      | 12.0            | 6.3                     | 750                      | 13.0            | 8.7                     | 1380                     | 12.0            | 17.4                    |  |  |
|                            | 104                        | C14                | 14             | 200                      | 14.3            | 2.13                    | 400                      | 13.5            | 4.48                    | 550                      | 13.6            | 6.1                     | 850                      | 13.9            | 9.3                     | 1550                     | 13.7            | 17.2                    |  |  |
|                            | 90.6                       | C16                | 16             | 200                      | 16.3            | 1.87                    | 420                      | 15.2            | 4.19                    | 600                      | 15.1            | 6.0                     | 850                      | 15.7            | 8.2                     | 1650                     | 15.2            | 16.5                    |  |  |
|                            | 80.6                       | C18                | 18             | 210                      | 18.4            | 1.73                    | 420                      | 17.2            | 3.71                    | 620                      | 17.3            | 5.4                     | 850                      | 18.0            | 7.2                     | 1650                     | 17.4            | 14.4                    |  |  |
|                            | 72.5                       | C20                | 20             | 220                      | 20.8            | 1.60                    | 450                      | 19.1            | 3.58                    | 650                      | 19.0            | 5.2                     | 850                      | 19.2            | 6.7                     | 1650                     | 19.6            | 12.8                    |  |  |
|                            | 64.7                       | C22                | 22.4           | 225                      | 22.4            | 1.52                    | 450                      | 21.8            | 3.13                    | 680                      | 21.4            | 4.82                    | 950                      | 22.7            | 6.3                     | 1650                     | 22.0            | 11.4                    |  |  |
|                            | 58.0                       | C25                | 25             | 230                      | 25.6            | 1.36                    | 450                      | 24.0            | 2.85                    | 680                      | 22.9            | 4.51                    | 950                      | 26.0            | 5.5                     | 1750                     | 25.1            | 10.6                    |  |  |
|                            | 51.8                       | C28                | 28             | 230                      | 27.6            | 1.26                    | 450                      | 27.1            | 2.53                    | 680                      | 29.5            | 3.50                    | 950                      | 27.8            | 5.2                     | 1750                     | 27.8            | 9.6                     |  |  |
|                            | 46.0                       | C32                | 31.5           | 230                      | 32.2            | 1.09                    | 450                      | 31.5            | 2.17                    | 680                      | 33.1            | 3.12                    | 950                      | 31.2            | 4.62                    | 1750                     | 31.0            | 8.6                     |  |  |
|                            | 40.8                       | C36                | 35.5           | 230                      | 36.3            | 0.96                    | 450                      | 37.2            | 1.83                    | 680                      | 37.4            | 2.76                    | 950                      | 35.8            | 4.03                    | 1750                     | 35.3            | 7.5                     |  |  |
|                            | 36.3                       | C40                | 40             | 230                      | 41.3            | 0.85                    | 450                      | 41.8            | 1.63                    | 680                      | 41.5            | 2.49                    | 950                      | 38.2            | 3.78                    | 1750                     | 39.2            | 6.8                     |  |  |
|                            | 32.2                       | C45                | 45             | 230                      | 46.7            | 0.75                    | 450                      | 47.2            | 1.45                    | 680                      | 47.5            | 2.17                    | 950                      | 45.5            | 3.17                    | 1750                     | 44.9            | 5.9                     |  |  |
|                            | 29.0                       | C50                | 50             | 230                      | 52.9            | 0.66                    | 450                      | 52.4            | 1.30                    | 680                      | 52.3            | 1.98                    | 950                      | 50.7            | 2.85                    | 1750                     | 50.5            | 5.3                     |  |  |
|                            | 25.9                       | C56                | 56             | 230                      | 57.0            | 0.61                    | 450                      | 60.1            | 1.14                    | 680                      | 58.9            | 1.75                    | 950                      | 55.7            | 2.59                    | 1750                     | 56.5            | 4.71                    |  |  |
|                            | 23.0                       | C63                | 63             | 230                      | 66.7            | 0.52                    | 450                      | 66.0            | 1.04                    | 630                      | 62.9            | 1.52                    | 950                      | 63.3            | 2.28                    | 1750                     | 62.9            | 4.23                    |  |  |
|                            | 20.4                       | C71                | 71             | 230                      | 75.6            | 0.46                    | 450                      | 74.4            | 0.92                    | 520                      | 73.2            | 1.08                    | 950                      | 69.1            | 2.09                    | 1750                     | 68.9            | 3.86                    |  |  |
|                            | 18.1                       | C80                | 80             | 230                      | 83.3            | 0.42                    | 450                      | 79.5            | 0.86                    | 520                      | 82.3            | 0.96                    | 950                      | 78.7            | 1.83                    | 1750                     | 74.9            | 3.55                    |  |  |
|                            | 16.1                       | C90                | 90             | 230                      | 91.1            | 0.38                    | 450                      | 92.4            | 0.74                    | 520                      | 89.9            | 0.88                    | 900                      | 83.6            | 1.63                    | 1750                     | 84.2            | 3.15                    |  |  |
|                            | 14.5                       | D10                | 100            | 230                      | 99.6            | 0.35                    | 450                      | 104.0           | 0.66                    | 520                      | 98.6            | 0.80                    | 850                      | 96.7            | 1.33                    | 1750                     | 92.3            | 2.88                    |  |  |
|                            | 12.9                       | D11                | 112            |                          |                 |                         | 450                      | 113.6           | 0.60                    | 520                      | 107.1           | 0.74                    | 850                      | 115.0           | 1.12                    | 1750                     | 108.3           | 2.45                    |  |  |
|                            | 11.6                       | D13                | 125            |                          |                 |                         | 450                      | 124.6           | 0.55                    |                          |                 |                         | 850                      | 122.3           | 1.05                    | 1700                     | 120.4           | 2.14                    |  |  |
|                            | 10.4                       | D14                | 140            |                          |                 |                         |                          |                 |                         |                          |                 |                         |                          | 1650            | 132.5                   | 1.89                     |                 |                         |  |  |
|                            | 9.06                       | D16                | 160            |                          |                 |                         |                          |                 |                         |                          |                 |                         |                          |                 | 1600                    | 149.3                    | 1.63            |                         |  |  |
|                            | 8.06                       | D18                | 180            |                          |                 |                         |                          |                 |                         |                          |                 |                         |                          |                 | 1600                    | 175.7                    | 1.38            |                         |  |  |

| 额定输出扭矩                   | 精确减速比           | 额定输入功率                  | 额定输出功率                   | 精确减速比           | 额定输入功率                  | 额定输出功率                   | 精确减速比           | 额定输入功率                  | 额定输出功率                   | 精确减速比           | 额定输入功率                  | 额定输出功率                   | 精确减速比           | 额定输入功率                  | 额定输出功率                   | 精确减速比           | 额定输入功率                  | 额定输出功率                   |       |     |
|--------------------------|-----------------|-------------------------|--------------------------|-----------------|-------------------------|--------------------------|-----------------|-------------------------|--------------------------|-----------------|-------------------------|--------------------------|-----------------|-------------------------|--------------------------|-----------------|-------------------------|--------------------------|-------|-----|
| Rated Output Torque      | Exact Ratio     | Rated Input Power       | Rated Output Power       | Exact Ratio     | Rated Input Power       | Rated Output Power       | Exact Ratio     | Rated Input Power       | Rated Output Power       | Exact Ratio     | Rated Input Power       | Rated Output Power       | Exact Ratio     | Rated Input Power       | Rated Output Power       | Exact Ratio     | Rated Input Power       | Rated Output Power       |       |     |
| T <sub>2N</sub><br>(N.m) | i <sub>ex</sub> | P <sub>1N</sub><br>(kW) | T <sub>2N</sub><br>(N.m) | i <sub>ex</sub> | P <sub>1N</sub><br>(kW) | T <sub>2N</sub><br>(N.m) | i <sub>ex</sub> | P <sub>1N</sub><br>(kW) | T <sub>2N</sub><br>(N.m) | i <sub>ex</sub> | P <sub>1N</sub><br>(kW) | T <sub>2N</sub><br>(N.m) | i <sub>ex</sub> | P <sub>1N</sub><br>(kW) | T <sub>2N</sub><br>(N.m) | i <sub>ex</sub> | P <sub>1N</sub><br>(kW) | T <sub>2N</sub><br>(N.m) |       |     |
| K308                     |                 | K309                    |                          | K310            |                         | K312                     |                 | K315                    |                          | K316            |                         | K318                     |                 |                         |                          |                 |                         |                          |       |     |
| 1800                     | 7.07            | 38.6                    | 3500                     | 7.24            | 73                      |                          |                 |                         | 9500                     | 7.14            | 202                     |                          |                 |                         |                          |                 |                         |                          |       |     |
| 1800                     | 8.04            | 34.0                    | 3500                     | 7.93            | 67                      | 6000                     | 8.14            | 112                     | 9500                     | 8.11            | 178                     |                          |                 |                         |                          |                 |                         |                          |       |     |
| 1800                     | 9.33            | 29.3                    | 3800                     | 9.37            | 62                      | 6000                     | 9.11            | 100                     | 9500                     | 9.45            | 153                     |                          |                 |                         |                          |                 |                         |                          |       |     |
| 1800                     | 10.2            | 26.9                    | 4000                     | 10.5            | 58                      | 6000                     | 10.7            | 85                      | 9500                     | 10.5            | 137                     | 20000                    | 10.1            | 299                     | 36000                    | 9.97            | 548                     | 47000                    | 10.1  | 704 |
| 2100                     | 11.4            | 27.9                    | 4000                     | 11.2            | 54                      | 6500                     | 11.7            | 85                      | 10500                    | 11.7            | 136                     | 20000                    | 11.5            | 264                     | 38000                    | 11.2            | 517                     | 47000                    | 11.4  | 624 |
| 2350                     | 12.5            | 28.5                    | 4500                     | 12.8            | 53                      | 7500                     | 12.5            | 91                      | 12000                    | 12.6            | 145                     | 20000                    | 13.4            | 226                     | 38000                    | 12.4            | 465                     | 47000                    | 13.2  | 541 |
| 2350                     | 14.0            | 25.5                    | 5000                     | 14.3            | 53                      | 7900                     | 14.0            | 86                      | 13100                    | 14.3            | 140                     | 20000                    | 14.9            | 204                     | 38000                    | 14.0            | 413                     | 47000                    | 15.1  | 474 |
| 2600                     | 15.9            | 24.8                    | 5000                     | 16.2            | 46.9                    | 8300                     | 16.5            | 76                      | 14500                    | 16.6            | 133                     | 20000                    | 16.6            | 183                     | 38000                    | 16.1            | 358                     | 47000                    | 16.1  | 442 |
| 2600                     | 18.5            | 21.4                    | 5000                     | 18.1            | 41.9                    | 8300                     | 17.9            | 70                      | 14500                    | 18.5            | 119                     | 20000                    | 18.4            | 165                     | 38000                    | 17.8            | 325                     | 47000                    | 17.4  | 409 |
| 2600                     | 20.1            | 19.6                    | 5000                     | 19.4            | 39.2                    | 8300                     | 20.9            | 60                      | 14500                    | 20.6            | 107                     | 20000                    | 19.9            | 152                     | 38000                    | 19.7            | 293                     | 50000                    | 20.2  | 376 |
| 2850                     | 22.6            | 19.1                    | 5000                     | 22.2            | 34.3                    | 8300                     | 23.2            | 54                      | 14500                    | 22.7            | 97                      | 20000                    | 22.9            | 133                     | 38000                    | 21.7            | 265                     | 53000                    | 22.5  | 357 |
| 3000                     | 24.8            | 18.4                    | 5000                     | 24.6            | 30.8                    | 8300                     | 24.6            | 51                      | 14500                    | 24.6            | 89                      | 20000                    | 24.1            | 126                     | 38000                    | 24.3            | 237                     | 53000                    | 24.1  | 334 |
| 3000                     | 28.6            | 15.9                    | 5000                     | 27.9            | 27.2                    | 8300                     | 27.9            | 45.1                    | 14500                    | 28.3            | 78                      | 20000                    | 27.4            | 111                     | 38000                    | 27.0            | 213                     | 58000                    | 27.1  | 324 |
| 3000                     | 30.5            | 14.9                    | 5000                     | 31.3            | 24.2                    | 8300                     | 31.2            | 40.3                    | 14500                    | 32.1            | 69                      | 20000                    | 31.9            | 95                      | 38000                    | 30.5            | 189                     | 58000                    | 31.4  | 281 |
| 3000                     | 35.7            | 12.8                    | 5000                     | 34.5            | 22.0                    | 8300                     | 34.5            | 36.6                    | 14500                    | 34.6            | 64                      | 20000                    | 35.4            | 86                      | 38000                    | 35.1            | 164                     | 58000                    | 35.8  | 246 |
| 3000                     | 40.6            | 11.2                    | 5000                     | 37.8            | 20.1                    | 8300                     | 38.6            | 32.7                    | 14500                    | 39.3            | 56                      | 20000                    | 39.5            | 77                      | 38000                    | 38.7            | 149                     | 58000                    | 38.3  | 230 |
| 3000                     | 47.0            | 9.7                     | 5000                     | 44.6            | 17.0                    | 8300                     | 45.5            | 27.7                    | 14500                    | 45.8            | 48.1                    | 20000                    | 43.6            | 70                      | 38000                    | 42.9            | 134                     | 58000                    | 41.4  | 213 |
| 3000                     | 51.3            | 8.9                     | 5000                     | 50.0            | 15.2                    | 8500                     | 49.4            | 26.1                    | 14500                    | 50.9            | 43.3                    | 20000                    | 47.3            | 64                      | 38000                    | 47.8            | 121                     | 58000                    | 47.9  | 184 |
| 3000                     | 57.7            | 7.9                     | 5000                     | 53.4            | 14.2                    | 9000                     | 57.6            | 23.7                    | 14500                    | 56.7            | 38.8                    | 20000                    | 54.4            | 56                      | 38000                    | 54.2            | 106                     | 58000                    | 53.5  | 165 |
| 3000                     | 63.2            | 7.2                     | 5000                     | 61.1            | 12.4                    | 9000                     | 63.9            | 21.4                    | 14500                    | 62.6            | 35.1                    | 20000                    | 61.6            | 49.3                    | 38000                    | 60.2            | 96                      | 58000                    | 60.3  | 146 |
| 3000                     | 73.0            | 6.2                     | 5000                     | 67.9            | 11.2                    | 9000                     | 67.7            | 20.2                    | 14500                    | 68.0            | 32.4                    | 20000                    | 68.6            | 44.3                    | 38000                    | 68.8            | 84                      | 58000                    | 66.7  | 132 |
| 3000                     | 77.9            | 5.8                     | 5000                     | 77.1            | 9.9                     | 9000                     | 77.0            | 17.7                    | 14500                    | 78.1            | 28.2                    | 20000                    | 75.9            | 40.0                    | 38000                    | 78.1            | 74                      | 58000                    | 75.0  | 117 |
| 3000                     | 90.0            | 5.1                     | 5000                     | 86.4            | 8.8                     | 9000                     | 86.2            | 15.9                    | 14500                    | 88.5            | 24.9                    | 20000                    | 87.4            | 34.7                    | 38000                    | 86.8            | 67                      | 58000                    | 83.0  | 106 |
| 3000                     | 102.3           | 4.45                    | 5000                     | 98.6            | 7.7                     | 9000                     | 95.7            | 14.3                    | 14500                    | 98.5            | 22.3                    | 20000                    | 97.3            | 31.2                    | 38000                    | 98.6            | 59                      | 58000                    | 99.2  | 89  |
| 3000                     | 113.6           | 4.01                    | 5000                     | 105.1           | 7.2                     | 9000                     | 112.0           | 12.2                    | 14500                    | 109.1           | 20.2                    | 20000                    | 107.7           | 28.2                    | 38000                    | 113.1           | 51                      | 58000                    | 109.8 | 80  |
| 3000                     | 127.8           | 3.56                    | 4300                     | 120.8           | 5.4                     | 9000                     | 120.4           | 11.3                    | 14500                    | 127.3           | 17.3                    | 20000                    | 125.7           | 24.2                    | 38000                    | 127.9           | 45.1                    | 58000                    | 124.0 | 71  |
| 3000                     | 140.6           | 3.24                    | 4300                     | 135.8           | 4.81                    | 9000                     | 135.3           | 10.1                    | 14500                    | 135.0           | 16.3                    | 20000                    | 133.4           | 22.8                    | 38000                    | 140.4           | 41.1                    | 58000                    | 141.6 | 62  |
| 2500                     | 153.7           | 2.47                    | 4300                     | 150.0           | 4.35                    | 8500                     | 155.8           | 8.3                     | 14500                    | 153.1           | 14.4                    |                          |                 |                         | 38000                    | 155.1           | 37.2                    | 58000                    | 159.1 | 55  |
| 2000                     | 177.9           | 1.71                    | 4300                     | 168.7           | 3.87                    | 8500                     |                 |                         |                          |                 |                         |                          |                 |                         |                          |                 |                         |                          |       |     |

3.2 K/C组合型传动能力表  
( $n_{1N}=1450r/min, i_N=112\sim 14000$ )

3.2 K&C Combi-type Transmission Capacity  
( $n_{1N}=1450r/min, i_N=112\sim 14000$ )

| 公称输入转速              | 公称输出转速               | 公称减速比代号            | 公称减速比         | 额定输出扭矩              | 精确减速比       | 额定输入功率            | 额定输出扭矩              | 精确减速比       | 额定输入功率            | 额定输出扭矩              | 精确减速比       | 额定输入功率            |  |
|---------------------|----------------------|--------------------|---------------|---------------------|-------------|-------------------|---------------------|-------------|-------------------|---------------------|-------------|-------------------|--|
| Nominal Input Speed | Nominal Output Speed | Nominal Ratio Code | Nominal Ratio | Rated Output Torque | Exact Ratio | Rated Input Power | Rated Output Torque | Exact Ratio | Rated Input Power | Rated Output Torque | Exact Ratio | Rated Input Power |  |
| $n_{1N}$<br>(r/min) | $n_{2N}$<br>(r/min)  | Code               | $i_N$         | $T_{2N}$<br>(N.m)   | $i_{ex}$    | $P_{1N}$<br>(kW)  | $T_{2N}$<br>(N.m)   | $i_{ex}$    | $P_{1N}$<br>(kW)  | $T_{2N}$<br>(N.m)   | $i_{ex}$    | $P_{1N}$<br>(kW)  |  |
| 1450                | 12.90                | D11                | 112           | 230                 | 116.2       | 0.30              | 450                 | 110.4       | 0.62              | 680                 | 106.8       | 0.97              |  |
|                     | 11.60                | D13                | 125           | 230                 | 129.5       | 0.27              | 450                 | 126.5       | 0.54              | 680                 | 122.4       | 0.84              |  |
|                     | 10.36                | D14                | 140           | 230                 | 144.8       | 0.24              | 450                 | 138.9       | 0.49              | 680                 | 134.4       | 0.77              |  |
|                     | 9.06                 | D16                | 160           | 230                 | 153.7       | 0.23              | 450                 | 156.2       | 0.44              | 680                 | 151.2       | 0.68              |  |
|                     |                      |                    |               |                     | K303/C301   |                   |                     |             |                   |                     |             |                   |  |
|                     | 8.06                 | D18                | 180           | 230                 | 182.9       | 0.19              | 450                 | 167.4       | 0.41              | 680                 | 162.0       | 0.64              |  |
|                     |                      |                    |               |                     | K304/C303   |                   |                     |             |                   |                     | K305/C303   |                   |  |
|                     | 7.25                 | D20                | 200           | 230                 | 209.6       | 0.17              | 450                 | 189.7       | 0.36              | 680                 | 183.6       | 0.56              |  |
|                     | 6.47                 | D22                | 224           | 230                 | 238.8       | 0.15              | 450                 | 214.5       | 0.32              | 680                 | 207.6       | 0.50              |  |
|                     |                      |                    |               |                     | K303/C201   |                   |                     | K304/C203   |                   |                     | K305/C203   |                   |  |
|                     | 5.80                 | D25                | 250           | 230                 | 248.3       | 0.14              | 450                 | 264.1       | 0.26              | 680                 | 265.5       | 0.39              |  |
|                     | 5.18                 | D28                | 280           | 230                 | 281.3       | 0.12              | 450                 | 298.3       | 0.23              | 680                 | 299.9       | 0.34              |  |
|                     | 4.60                 | D32                | 315           | 230                 | 332.1       | 0.11              | 450                 | 331.1       | 0.21              | 680                 | 332.9       | 0.31              |  |
|                     | 4.08                 | D36                | 355           | 230                 | 370.3       |                   | 450                 | 379.4       | 0.18              | 680                 | 381.5       | 0.27              |  |
|                     | 3.63                 | D40                | 400           | 230                 | 413.8       |                   | 450                 | 416.6       | 0.16              | 680                 | 418.9       | 0.25              |  |
|                     | 3.22                 | D45                | 450           | 230                 | 439.2       |                   | 450                 | 468.7       | 0.15              | 680                 | 471.2       | 0.22              |  |
|                     |                      |                    |               |                     | K303/C301   |                   |                     |             |                   |                     |             |                   |  |
|                     | 2.90                 | D50                | 500           | 230                 | 522.7       |                   | 450                 | 502.2       | 0.14              | 680                 | 504.9       | 0.20              |  |
|                     |                      |                    |               |                     | K304/C303   |                   |                     | K305/C303   |                   |                     |             |                   |  |
|                     | 2.59                 | D56                | 560           | 230                 | 599.0       |                   | 450                 | 569.2       | 0.12              | 680                 | 572.2       | 0.18              |  |
|                     | 2.30                 | D63                | 630           | 230                 | 682.4       |                   | 450                 | 643.6       | 0.11              | 680                 | 647.0       | 0.16              |  |
|                     | 2.04                 | D71                | 710           | 230                 | 740.5       |                   | 450                 | 732.8       |                   | 680                 | 736.8       | 0.14              |  |
|                     |                      |                    |               |                     |             |                   |                     |             |                   |                     |             |                   |  |
|                     | 1.81                 | D80                | 800           | 230                 | 805.9       |                   | 450                 | 825.8       |                   | 680                 | 830.3       | 0.12              |  |
|                     | 1.61                 | D90                | 900           | 230                 | 893.0       |                   | 450                 | 937.4       |                   | 680                 | 942.5       | 0.11              |  |
|                     | 1.45                 | E10                | 1000          | 230                 | 998.3       |                   | 450                 | 1001        |                   | 680                 | 1006        |                   |  |
|                     | 1.29                 | E11                | 1120          | 230                 | 1172        |                   | 450                 | 1127        |                   | 680                 | 1133        |                   |  |
|                     | 1.16                 | E13                | 1250          | 230                 | 1285        |                   | 450                 | 1283        |                   | 680                 | 1290        |                   |  |
|                     | 1.04                 | E14                | 1400          | 230                 | 1394        |                   | 450                 | 1455        |                   | 680                 | 1462        |                   |  |
|                     | 0.91                 | E16                | 1600          | 230                 | 1681        |                   | 450                 | 1644        |                   | 680                 | 1653        |                   |  |
|                     | 0.81                 | E18                | 1800          | 230                 | 1880        |                   | 450                 | 1771        |                   | 680                 | 1780        |                   |  |
|                     | 0.73                 | E20                | 2000          | 230                 | 1997        |                   | 450                 | 2072        |                   | 680                 | 2083        |                   |  |
|                     | 0.65                 | E22                | 2240          | 230                 | 2207        |                   | 450                 | 2351        |                   | 680                 | 2364        |                   |  |
|                     | 0.58                 | E25                | 2500          | 230                 | 2561        |                   | 450                 | 2581        |                   | 680                 | 2459        |                   |  |
|                     | 0.52                 | E28                | 2800          | 230                 | 3088        |                   | 450                 | 2917        |                   | 680                 | 2780        |                   |  |
|                     | 0.46                 | E32                | 3150          | 230                 | 3455        |                   | 450                 | 3142        |                   | 680                 | 2994        |                   |  |
|                     | 0.41                 | E36                | 3550          | 230                 | 3669        |                   | 450                 | 3676        |                   | 680                 | 3504        |                   |  |
|                     | 0.36                 | E40                | 4000          | 230                 | 4055        |                   | 450                 | 4171        |                   | 680                 | 3975        |                   |  |
|                     | 0.32                 | E45                | 4500          | 230                 | 4756        |                   | 450                 | 4594        |                   | 680                 | 4378        |                   |  |
|                     | 0.29                 | E50                | 5000          | 230                 | 5403        |                   | 450                 | 5023        |                   | 680                 | 4787        |                   |  |
|                     | 0.26                 | E56                | 5600          | 230                 | 5830        |                   | 450                 | 5491        |                   | 680                 | 5233        |                   |  |
|                     | 0.23                 | E63                | 6300          |                     |             |                   | 450                 | 6431        |                   | 680                 | 6257        |                   |  |
| 0.20                | E71                  | 7100               |               |                     |             | 450               | 7032                |             | 680               | 6841                |             |                   |  |
| 0.18                | E80                  | 8000               |               |                     |             | 450               | 7688                |             | 680               | 7480                |             |                   |  |
| 0.16                | E90                  | 9000               |               |                     |             |                   |                     |             |                   |                     |             |                   |  |
| 0.15                | F10                  | 10000              |               |                     |             |                   |                     |             |                   |                     |             |                   |  |
| 0.13                | F11                  | 11200              |               |                     |             |                   |                     |             |                   |                     |             |                   |  |
| 0.12                | F13                  | 12500              |               |                     |             |                   |                     |             |                   |                     |             |                   |  |
| 0.10                | F14                  | 14000              |               |                     |             |                   |                     |             |                   |                     |             |                   |  |

| 额定输出扭矩              | 精确减速比       | 额定输入功率            | 额定输出扭矩              | 精确减速比       | 额定输入功率            | 额定输出扭矩              | 精确减速比       | 额定输入功率            |
|---------------------|-------------|-------------------|---------------------|-------------|-------------------|---------------------|-------------|-------------------|
| Rated Output Torque | Exact Ratio | Rated Input Power | Rated Output Torque | Exact Ratio | Rated Input Power | Rated Output Torque | Exact Ratio | Rated Input Power |
| $T_{2N}$<br>(N.m)   | $i_{ex}$    | $P_{1N}$<br>(kW)  | $T_{2N}$<br>(N.m)   | $i_{ex}$    | $P_{1N}$<br>(kW)  | $T_{2N}$<br>(N.m)   | $i_{ex}$    | $P_{1N}$<br>(kW)  |
| K306/C203           |             |                   | K307/C203           |             |                   | K308/C205           |             |                   |
| 950                 | 115.7       | 1.25              | 1750                | 106.8       | 2.49              | 3000                | 113.3       | 4.02              |
| 950                 | 132.6       | 1.09              | 1750                | 122.4       | 2.17              | 3000                | 120.8       | 3.77              |
| 950                 | 145.6       | 0.99              | 1750                | 134.4       | 1.98              | 3000                | 135.0       | 3.37              |
| 950                 | 163.8       | 0.88              | 1750                | 151.2       | 1.76              | 3000                | 150.0       | 3.04              |
|                     |             |                   |                     |             |                   |                     |             |                   |
| 950                 | 175.5       | 0.82              | 1750                | 162.0       | 1.64              | 3000                | 187.5       | 2.43              |
| K306/C303           |             |                   | K307/C303           |             |                   |                     |             |                   |
| 950                 | 198.9       | 0.73              | 1750                | 183.6       | 1.45              | 3000                | 205.0       | 2.22              |
| 950                 | 224.9       | 0.64              | 1750                | 207.6       | 1.28              | 3000                | 233.8       | 1.95              |
| K306/C203           |             |                   | K307/C203           |             |                   |                     |             |                   |
| 950                 | 254.2       | 0.57              | 1750                | 250.6       | 1.06              | 3000                | 258.8       | 1.76              |
| 950                 | 287.1       | 0.50              | 1750                | 283.1       | 0.94              | 3000                | 284.9       | 1.60              |
| 950                 | 318.6       | 0.45              | 1750                | 314.2       | 0.85              | 3000                | 323.4       | 1.41              |
| 950                 | 365.2       | 0.40              | 1750                | 360.1       | 0.74              | 3000                | 344.9       | 1.32              |
| 950                 | 401.0       | 0.36              | 1750                | 395.4       | 0.67              | 3000                | 385.6       | 1.18              |
| 950                 | 451.1       | 0.32              | 1750                | 444.8       | 0.60              | 3000                | 428.4       | 1.06              |
|                     |             |                   |                     |             |                   |                     |             |                   |
| 950                 | 483.3       | 0.30              | 1750                | 476.6       | 0.56              | 3000                | 535.5       | 0.85              |
| K306/C303           |             |                   | K307/C303           |             |                   |                     |             |                   |
| 950                 | 547.7       | 0.26              | 1750                | 540.1       | 0.49              | 3000                | 585.5       | 0.78              |
| 950                 | 619.3       | 0.23              | 1750                | 610.7       | 0.44              | 3000                | 667.6       | 0.68              |
| 950                 | 705.3       | 0.20              | 1750                | 695.4       | 0.38              | 3000                | 710.4       | 0.64              |
|                     |             |                   |                     |             |                   | K308/C305           |             |                   |
| 950                 | 794.8       | 0.18              | 1750                | 783.7       | 0.34              | 3000                | 799.7       | 0.57              |
| 950                 | 902.2       | 0.16              | 1750                | 889.6       | 0.30              | 3000                | 899.6       | 0.51              |
| 950                 | 963.0       | 0.15              | 1750                | 949.6       | 0.28              | 3000                | 1014        | 0.45              |
| 950                 | 1085        | 0.13              | 1750                | 1070        | 0.25              | 3000                | 1125        | 0.41              |
| 950                 | 1235        | 0.12              | 1750                | 1218        | 0.22              | 3000                | 1289        | 0.35              |
| 950                 | 1400        | 0.10              | 1750                | 1380        | 0.19              | 3000                | 1417        | 0.32              |
| 950                 | 1582        |                   | 1750                | 1560        | 0.17              | 3000                | 1681        | 0.27              |
| 950                 | 1704        |                   | 1750                | 1680        | 0.16              | 3000                | 1867        | 0.24              |
| 950                 | 1994        |                   | 1750                | 1966        | 0.14              | 3000                | 2138        | 0.21              |
| 950                 | 2263        |                   | 1750                | 2231        | 0.12              | 3000                | 2349        | 0.19              |
| 950                 | 2475        |                   | 1750                | 2459        | 0.11              | 3000                | 2509        | 0.18              |
| 950                 | 2798        |                   | 1750                | 2780        |                   | 3000                | 2977        | 0.15              |
| 950                 | 3013        |                   | 1750                | 2994        |                   | 3000                | 3305        | 0.14              |
| 950                 | 3526        |                   | 1750                | 3504        |                   | 3000                | 3786        | 0.12              |
| 950                 | 4001        |                   | 1750                | 3975        |                   | 3000                | 4159        | 0.11              |
| 950                 | 4406        |                   | 1750                | 4378        |                   | 3000                | 4689        |                   |
| 950                 | 4817        |                   | 1750                | 4787        |                   | 3000                | 5012        |                   |
| 950                 | 5267        |                   | 1750                | 5233        |                   | 3000                | 5827        |                   |
| 950                 | 5819        |                   | 1750                | 5860        |                   | 3000                | 6678        |                   |
| 950                 | 6362        |                   | 1750                | 6408        |                   | 3000                | 7137        |                   |
| 950                 | 6956        |                   | 1750                | 7005        |                   | 3000                | 8298        |                   |
|                     |             |                   |                     |             |                   | 3000                | 9333        |                   |
|                     |             |                   |                     |             |                   | 3000                | 10197       |                   |
|                     |             |                   |                     |             |                   | 3000                | 11178       |                   |
|                     |             |                   |                     |             |                   | 3000                | 12150       |                   |

K/C组合型传动能力表  
(n<sub>1N</sub>=1450r/min, i<sub>N</sub>=112~14000)

K&C Combi-type Transmission Capacity  
(n<sub>1N</sub>=1450r/min, i<sub>N</sub>=112~14000)

| 公称<br>输入转速<br>Nominal<br>Input Speed | 公称<br>输出转速<br>Nominal<br>Output Speed | 公称减速<br>比代号<br>Nominal<br>Ratio Code | 公称<br>减速比<br>Nominal<br>Ratio | 额定输出<br>扭矩<br>Rated Output<br>Torque | 精确<br>减速比<br>Exact<br>Ratio | 额定输入<br>功率<br>Rated Input<br>Power | 额定输出<br>扭矩<br>Rated Output<br>Torque | 精确<br>减速比<br>Exact<br>Ratio | 额定输入<br>功率<br>Rated Input<br>Power | 额定输出<br>扭矩<br>Rated Output<br>Torque | 精确<br>减速比<br>Exact<br>Ratio | 额定输入<br>功率<br>Rated Input<br>Power |  |
|--------------------------------------|---------------------------------------|--------------------------------------|-------------------------------|--------------------------------------|-----------------------------|------------------------------------|--------------------------------------|-----------------------------|------------------------------------|--------------------------------------|-----------------------------|------------------------------------|--|
| n <sub>1N</sub><br>(r/min)           | n <sub>2N</sub><br>(r/min)            | Code                                 | i <sub>N</sub>                | T <sub>2N</sub><br>(N.m)             | i <sub>ex</sub>             | P <sub>1N</sub><br>(kW)            | T <sub>2N</sub><br>(N.m)             | i <sub>ex</sub>             | P <sub>1N</sub><br>(kW)            | T <sub>2N</sub><br>(N.m)             | i <sub>ex</sub>             | P <sub>1N</sub><br>(kW)            |  |
| 1450                                 | 12.90                                 | D11                                  | 112                           | 5000                                 | 116.0                       | 6.5                                | 9000                                 | 112.6                       | 12.1                               | 14500                                | 115.9                       | 19.0                               |  |
|                                      | 11.60                                 | D13                                  | 125                           | 5000                                 | 123.6                       | 6.1                                | 9000                                 | 128.8                       | 10.6                               | 14500                                | 131.0                       | 16.8                               |  |
|                                      | 10.36                                 | D14                                  | 140                           | 5000                                 | 138.2                       | 5.5                                | 9000                                 | 145.0                       | 9.4                                | 14500                                | 142.4                       | 15.5                               |  |
|                                      |                                       |                                      |                               |                                      |                             |                                    |                                      |                             |                                    |                                      |                             |                                    |  |
|                                      |                                       |                                      |                               |                                      |                             |                                    |                                      | K310/C307                   |                                    |                                      |                             |                                    |  |
|                                      | 9.06                                  | D16                                  | 160                           | 5000                                 | 153.6                       | 4.94                               | 9000                                 | 157.5                       | 8.7                                | 14500                                | 160.0                       | 13.8                               |  |
|                                      | 8.06                                  | D18                                  | 180                           | 5000                                 | 192.0                       | 3.95                               | 9000                                 | 181.3                       | 7.5                                | 14500                                | 175.1                       | 12.6                               |  |
|                                      | 7.25                                  | D20                                  | 200                           | 5000                                 | 209.9                       | 3.62                               | 9000                                 | 192.5                       | 7.1                                | 14500                                | 202.9                       | 10.9                               |  |
|                                      | 6.47                                  | D22                                  | 224                           | 5000                                 | 239.4                       | 3.17                               | 9000                                 | 221.3                       | 6.2                                | 14500                                | 216.7                       | 10.2                               |  |
|                                      |                                       |                                      |                               |                                      |                             |                                    |                                      |                             |                                    |                                      |                             |                                    |  |
|                                      |                                       |                                      |                               |                                      |                             |                                    |                                      | K310/C207                   |                                    |                                      | K312/C207                   |                                    |  |
|                                      | 5.80                                  | D25                                  | 250                           | 5000                                 | 250.1                       | 3.04                               | 9000                                 | 246.3                       | 5.5                                | 14500                                | 247.0                       | 8.9                                |  |
|                                      | 5.18                                  | D28                                  | 280                           | 5000                                 | 275.3                       | 2.76                               | 9000                                 | 280.5                       | 4.87                               | 14500                                | 281.3                       | 7.8                                |  |
|                                      | 4.60                                  | D32                                  | 315                           | 5000                                 | 312.6                       | 2.43                               | 9000                                 | 310.8                       | 4.40                               | 14500                                | 311.7                       | 7.1                                |  |
|                                      | 4.08                                  | D36                                  | 355                           | 5000                                 | 333.3                       | 2.28                               | 9000                                 | 355.4                       | 3.85                               | 14500                                | 356.4                       | 6.2                                |  |
|                                      | 3.63                                  | D40                                  | 400                           | 5000                                 | 372.6                       | 2.04                               | 9000                                 | 400.2                       | 3.41                               | 14500                                | 401.4                       | 5.5                                |  |
|                                      |                                       |                                      |                               |                                      |                             |                                    |                                      |                             |                                    |                                      |                             |                                    |  |
|                                      |                                       |                                      |                               |                                      |                             |                                    |                                      | K310/C307                   |                                    |                                      | K312/C307                   |                                    |  |
|                                      | 3.22                                  | D45                                  | 450                           | 5000                                 | 414.0                       | 1.83                               | 9000                                 | 434.7                       | 3.14                               | 14500                                | 436.0                       | 5.0                                |  |
|                                      | 2.90                                  | D50                                  | 500                           | 5000                                 | 517.5                       | 1.47                               | 9000                                 | 500.3                       | 2.73                               | 14500                                | 501.7                       | 4.39                               |  |
|                                      | 2.59                                  | D56                                  | 560                           | 5000                                 | 565.8                       | 1.34                               | 9000                                 | 531.3                       | 2.57                               | 14500                                | 532.8                       | 4.13                               |  |
|                                      | 2.30                                  | D63                                  | 630                           | 5000                                 | 645.2                       | 1.18                               | 9000                                 | 610.7                       | 2.24                               | 14500                                | 612.4                       | 3.59                               |  |
|                                      | 2.04                                  | D71                                  | 710                           | 5000                                 | 686.6                       | 1.11                               | 9000                                 | 714.2                       | 1.91                               | 14500                                | 716.2                       | 3.07                               |  |
|                                      |                                       |                                      |                               |                                      |                             |                                    |                                      |                             |                                    |                                      |                             |                                    |  |
|                                      |                                       |                                      |                               |                                      |                             |                                    |                                      | K309/C305                   |                                    |                                      |                             |                                    |  |
|                                      | 1.81                                  | D80                                  | 800                           | 5000                                 | 772.8                       | 0.98                               | 9000                                 | 800.4                       | 1.71                               | 14500                                | 802.7                       | 2.74                               |  |
|                                      | 1.61                                  | D90                                  | 900                           | 5000                                 | 869.4                       | 0.87                               | 9000                                 | 914.3                       | 1.49                               | 14500                                | 916.9                       | 2.40                               |  |
|                                      |                                       |                                      |                               |                                      |                             |                                    |                                      |                             |                                    |                                      |                             |                                    |  |
|                                      | 1.45                                  | E10                                  | 1000                          | 5000                                 | 979.8                       | 0.77                               | 9000                                 | 976.4                       | 1.40                               | 14500                                | 979.2                       | 2.25                               |  |
|                                      | 1.29                                  | E11                                  | 1120                          | 5000                                 | 1087                        | 0.70                               | 9000                                 | 1118                        | 1.22                               | 14500                                | 1121                        | 1.96                               |  |
|                                      | 1.16                                  | E13                                  | 1250                          | 5000                                 | 1245                        | 0.61                               | 9000                                 | 1273                        | 1.07                               | 14500                                | 1277                        | 1.72                               |  |
|                                      | 1.04                                  | E14                                  | 1400                          | 5000                                 | 1370                        | 0.55                               | 9000                                 | 1311                        | 1.04                               | 14500                                | 1315                        | 1.67                               |  |
|                                      | 0.91                                  | E16                                  | 1600                          | 5000                                 | 1625                        | 0.47                               | 9000                                 | 1504                        | 0.91                               | 14500                                | 1509                        | 1.46                               |  |
|                                      | 0.81                                  | E18                                  | 1800                          | 5000                                 | 1804                        | 0.42                               | 9000                                 | 1708                        | 0.80                               | 14500                                | 1713                        | 1.29                               |  |
|                                      | 0.73                                  | E20                                  | 2000                          | 5000                                 | 2067                        | 0.37                               | 9000                                 | 1911                        | 0.71                               | 14500                                | 1917                        | 1.15                               |  |
|                                      | 0.65                                  | E22                                  | 2240                          | 5000                                 | 2270                        | 0.33                               | 9000                                 | 2129                        | 0.64                               | 14500                                | 2135                        | 1.03                               |  |
|                                      | 0.58                                  | E25                                  | 2500                          | 5000                                 | 2426                        | 0.31                               | 9000                                 | 2428                        | 0.56                               | 14500                                | 2379                        | 0.93                               |  |
|                                      | 0.52                                  | E28                                  | 2800                          | 5000                                 | 2878                        | 0.26                               | 9000                                 | 2786                        | 0.49                               | 14500                                | 2729                        | 0.81                               |  |
|                                      | 0.46                                  | E32                                  | 3150                          | 5000                                 | 3196                        | 0.24                               | 9000                                 | 3163                        | 0.43                               | 14500                                | 3099                        | 0.71                               |  |
|                                      | 0.41                                  | E36                                  | 3550                          | 5000                                 | 3660                        | 0.21                               | 9000                                 | 3540                        | 0.39                               | 14500                                | 3468                        | 0.63                               |  |
|                                      | 0.36                                  | E40                                  | 4000                          | 5000                                 | 4020                        | 0.19                               | 9000                                 | 3943                        | 0.35                               | 14500                                | 3862                        | 0.57                               |  |
|                                      | 0.32                                  | E45                                  | 4500                          | 5000                                 | 4534                        | 0.17                               | 9000                                 | 4332                        | 0.32                               | 14500                                | 4244                        | 0.52                               |  |
| 0.29                                 | E50                                   | 5000                                 | 5000                          | 4845                                 | 0.16                        | 9000                               | 4920                                 | 0.28                        | 14500                              | 4820                                 | 0.46                        |                                    |  |
| 0.26                                 | E56                                   | 5600                                 | 5000                          | 5633                                 | 0.13                        | 9000                               | 6122                                 | 0.22                        | 14500                              | 5997                                 | 0.37                        |                                    |  |
| 0.23                                 | E63                                   | 6300                                 | 5000                          | 6411                                 | 0.12                        | 9000                               | 8775                                 | 0.16                        | 14500                              | 9009                                 | 0.24                        |                                    |  |
| 0.20                                 | E71                                   | 7100                                 | 5000                          | 6852                                 | 0.11                        | 9000                               | 6637                                 | 0.21                        | 14500                              | 6815                                 | 0.32                        |                                    |  |
| 0.18                                 | E80                                   | 8000                                 | 5000                          | 7966                                 |                             | 9000                               | 8258                                 | 0.17                        | 14500                              | 8478                                 | 0.26                        |                                    |  |
| 0.16                                 | E90                                   | 9000                                 | 5000                          | 8960                                 |                             | 9000                               | 8775                                 | 0.16                        | 14500                              | 9009                                 | 0.24                        |                                    |  |
| 0.15                                 | F10                                   | 10000                                | 5000                          | 9789                                 |                             | 9000                               | 10146                                | 0.13                        | 14500                              | 10416                                | 0.21                        |                                    |  |
| 0.13                                 | F11                                   | 11200                                | 5000                          | 10731                                |                             | 9000                               | 10732                                | 0.13                        | 14500                              | 11018                                | 0.20                        |                                    |  |
| 0.12                                 | F13                                   | 12500                                | 5000                          | 11664                                |                             | 9000                               | 12068                                | 0.11                        | 14500                              | 12390                                | 0.18                        |                                    |  |
| 0.10                                 | F14                                   | 14000                                |                               |                                      |                             | 9000                               | 12835                                |                             | 14500                              | 13178                                | 0.17                        |                                    |  |

| 额定输出<br>扭矩<br>Rated Output<br>Torque | 精确<br>减速比<br>Exact<br>Ratio | 额定输入<br>功率<br>Rated Input<br>Power | 额定输出<br>扭矩<br>Rated Output<br>Torque | 精确<br>减速比<br>Exact<br>Ratio | 额定输入<br>功率<br>Rated Input<br>Power | 额定输出<br>扭矩<br>Rated Output<br>Torque | 精确<br>减速比<br>Exact<br>Ratio | 额定输入<br>功率<br>Rated Input<br>Power |
|--------------------------------------|-----------------------------|------------------------------------|--------------------------------------|-----------------------------|------------------------------------|--------------------------------------|-----------------------------|------------------------------------|
| T <sub>2N</sub><br>(N.m)             | i <sub>ex</sub>             | P <sub>1N</sub><br>(kW)            | T <sub>2N</sub><br>(N.m)             | i <sub>ex</sub>             | P <sub>1N</sub><br>(kW)            | T <sub>2N</sub><br>(N.m)             | i <sub>ex</sub>             | P <sub>1N</sub><br>(kW)            |
| K315/C210                            |                             |                                    | K316/C210                            |                             |                                    | K318/C210                            |                             |                                    |
| 20000                                | 115.8                       | 26.2                               | 38000                                | 107.1                       | 53.9                               | 58000                                | 114.0                       | 77.2                               |
| 20000                                | 129.6                       | 23.4                               | 38000                                | 119.9                       | 48.1                               | 58000                                | 127.6                       | 69.0                               |
| 20000                                | 143.4                       | 21.2                               | 38000                                | 132.7                       | 43.5                               | 58000                                | 141.2                       | 62.3                               |
|                                      |                             |                                    |                                      |                             |                                    |                                      |                             |                                    |
| 20000                                | 167.5                       | 18.1                               | 38000                                | 155.0                       | 37.2                               | 58000                                | 165.0                       | 53.4                               |
| 20000                                | 184.9                       | 16.4                               | 38000                                | 171.1                       | 33.7                               | 58000                                | 182.2                       | 48.3                               |
| 20000                                | 195.6                       | 15.5                               | 38000                                | 181.0                       | 31.9                               | 58000                                | 192.7                       | 45.7                               |
| 20000                                | 222.4                       | 13.7                               | 38000                                | 205.8                       | 28.0                               | 58000                                | 219.1                       | 40.2                               |
|                                      |                             |                                    |                                      |                             |                                    |                                      |                             |                                    |
| K315/C209                            |                             |                                    | K316/C209                            |                             |                                    | K318/C209                            |                             |                                    |
| 20000                                | 249.9                       | 12.2                               | 38000                                | 247.8                       | 23.3                               | 58000                                | 252.7                       | 34.8                               |
| 20000                                | 277.9                       | 10.9                               | 38000                                | 275.5                       | 20.9                               | 58000                                | 281.0                       | 31.3                               |
| 20000                                | 315.4                       | 9.6                                | 38000                                | 312.7                       | 18.4                               | 58000                                | 319.0                       | 27.6                               |
| 20000                                | 357.5                       | 8.5                                | 38000                                | 354.5                       | 16.3                               | 58000                                | 361.6                       | 24.4                               |
| 20000                                | 403.6                       | 7.5                                | 38000                                | 400.1                       | 14.4                               | 58000                                | 408.1                       | 21.6                               |
|                                      |                             |                                    |                                      |                             |                                    |                                      |                             |                                    |
| 20000                                | 428.3                       | 7.1                                | 38000                                | 424.7                       | 13.6                               | 58000                                | 433.2                       | 20.3                               |
| 20000                                | 492.1                       | 6.2                                | 38000                                | 487.9                       | 11.8                               | 58000                                | 497.6                       | 17.7                               |
| 20000                                | 545.2                       | 5.6                                | 38000                                | 540.5                       | 10.7                               | 58000                                | 551.3                       | 16.0                               |
| 20000                                | 619.5                       | 4.90                               | 38000                                | 614.3                       | 9.4                                | 58000                                | 626.5                       | 14.1                               |
| 20000                                | 693.8                       | 4.38                               | 38000                                | 688.0                       | 8.4                                | 58000                                | 701.7                       | 12.6                               |
|                                      |                             |                                    |                                      |                             |                                    |                                      |                             |                                    |
| 20000                                | 793.0                       | 3.83                               | 38000                                | 786.2                       | 7.3                                | 58000                                | 801.9                       | 11.0                               |
| 20000                                | 846.1                       | 3.59                               | 38000                                | 838.9                       | 6.9                                | 58000                                | 855.6                       | 10.3                               |
|                                      |                             |                                    |                                      |                             |                                    |                                      |                             |                                    |
| K315/C309                            |                             |                                    | K316/C309                            |                             |                                    | K318/C309                            |                             |                                    |
| 20000                                | 987.7                       | 3.07                               | 38000                                | 979.3                       | 5.9                                | 58000                                | 998.8                       | 8.8                                |
| 20000                                | 1143                        | 2.66                               | 38000                                | 1134                        | 5.1                                | 58000                                | 1156                        | 7.6                                |
| 20000                                | 1246                        | 2.44                               | 38000                                | 1236                        | 4.67                               | 58000                                | 1260                        | 7.0                                |
| 20000                                | 1402                        | 2.17                               | 38000                                | 1390                        | 4.15                               | 58000                                | 1418                        | 6.2                                |
| 20000                                | 1536                        | 1.98                               | 38000                                | 1523                        | 3.79                               | 58000                                | 1554                        | 5.7                                |
| 20000                                | 1774                        | 1.71                               | 38000                                | 1759                        | 3.28                               | 58000                                | 1794                        | 4.91                               |
| 20000                                | 1894                        | 1.60                               | 38000                                | 1878                        | 3.07                               | 58000                                | 1915                        | 4.60                               |
| 20000                                | 2244                        | 1.35                               | 38000                                | 2225                        | 2.59                               | 58000                                | 2270                        | 3.88                               |
| 20000                                | 2439                        | 1.24                               | 38000                                | 2384                        | 2.42                               | 58000                                | 2388                        | 3.69                               |
| 20000                                | 2673                        | 1.14                               | 38000                                | 2617                        | 2.20                               | 58000                                | 2617                        | 3.37                               |
| 20000                                | 3086                        | 0.98                               | 38000                                | 3026                        | 1.91                               | 58000                                | 3021                        | 2.91                               |
| 20000                                | 3296                        | 0.92                               | 38000                                | 3237                        | 1.78                               | 58000                                | 3226                        | 2.73                               |
| 20000                                | 3905                        | 0.78                               | 38000                                | 3842                        | 1.50                               | 58000                                | 3823                        | 2.30                               |
| 20000                                | 4257                        | 0.71                               | 38000                                | 4194                        | 1.38                               | 58000                                | 4167                        | 2.11                               |
| 20000                                | 4792                        | 0.63                               | 38000                                | 4730                        | 1.22                               | 58000                                | 4691                        | 1.88                               |
| 20000                                | 5248                        | 0.58                               | 38000                                | 5189                        | 1.11                               | 58000                                | 5138                        | 1.71                               |
| 20000                                | 6039                        | 0.50                               | 38000                                | 5998                        | 0.96                               | 58000                                | 5735                        | 1.54                               |
| 20000                                | 6800                        | 0.45                               | 38000                                | 6753                        | 0.85                               | 58000                                | 6457                        | 1.36                               |
| 20000                                | 7446                        | 0.41                               | 38000                                | 7395                        | 0.78                               | 58000                                | 7072                        | 1.25                               |
| 20000                                | 8609                        | 0.35                               | 38000                                | 8550                        | 0.67                               | 58000                                | 8176                        | 1.08                               |
| 20000                                | 9177                        | 0.33                               | 38000                                | 9114                        | 0.63                               | 58000                                | 8715                        | 1.01                               |
| 20000                                | 10602                       | 0.29                               | 38000                                | 10529                       | 0.55                               | 58000                                | 10068                       | 0.87                               |
| 20000                                | 12052                       | 0.25                               | 38000                                | 11970                       | 0.48                               | 58000                                | 11446                       | 0.77                               |
| 20000                                | 13390                       | 0.23                               | 38000                                | 13298                       | 0.43                               | 58000                                | 12716                       | 0.69                               |



3.4 K/C组合型传动能力表  
( $n_{1N}=1740\text{r/min}, i_N=112\sim 14000$ )

3.4 K&C Combi-type Transmission Capacity  
( $n_{1N}=1740\text{r/min}, i_N=112\sim 14000$ )

| 公称输入转速<br>Nominal Input Speed | 公称输出转速<br>Nominal Output Speed | 公称减速比代号<br>Nominal Ratio Code | 公称减速比<br>Nominal Ratio | 额定输出扭矩<br>Rated Output Torque | 精确减速比<br>Exact Ratio | 额定输入功率<br>Rated Input Power | 额定输出扭矩<br>Rated Output Torque | 精确减速比<br>Exact Ratio | 额定输入功率<br>Rated Input Power | 额定输出扭矩<br>Rated Output Torque | 精确减速比<br>Exact Ratio | 额定输入功率<br>Rated Input Power |  |
|-------------------------------|--------------------------------|-------------------------------|------------------------|-------------------------------|----------------------|-----------------------------|-------------------------------|----------------------|-----------------------------|-------------------------------|----------------------|-----------------------------|--|
| $n_{1N}$<br>(r/min)           | $n_{2N}$<br>(r/min)            | Code                          | $i_N$                  | $T_{2N}$<br>(N.m)             | $i_{ex}$             | $P_{1N}$<br>(kW)            | $T_{2N}$<br>(N.m)             | $i_{ex}$             | $P_{1N}$<br>(kW)            | $T_{2N}$<br>(N.m)             | $i_{ex}$             | $P_{1N}$<br>(kW)            |  |
| 1740                          | 15.5                           | D11                           | 112                    | 230                           | 116.2                | 0.36                        | 450                           | 110.4                | 0.74                        | 680                           | 106.8                | 1.16                        |  |
|                               | 13.9                           | D13                           | 125                    | 230                           | 129.5                | 0.32                        | 450                           | 126.5                | 0.65                        | 680                           | 122.4                | 1.01                        |  |
|                               | 12.4                           | D14                           | 140                    | 230                           | 144.8                | 0.29                        | 450                           | 138.9                | 0.59                        | 680                           | 134.4                | 0.92                        |  |
|                               | 10.9                           | D16                           | 160                    | 230                           | 153.7                | 0.27                        | 450                           | 156.2                | 0.52                        | 680                           | 151.2                | 0.82                        |  |
|                               | K303/C201                      |                               |                        |                               |                      |                             |                               |                      |                             |                               |                      |                             |  |
|                               | 9.7                            | D18                           | 180                    | 230                           | 182.9                | 0.23                        | 450                           | 167.4                | 0.49                        | 680                           | 162.0                | 0.76                        |  |
|                               | K304/C203                      |                               |                        |                               |                      |                             |                               |                      |                             |                               |                      |                             |  |
|                               | 8.70                           | D20                           | 200                    | 230                           | 209.6                | 0.20                        | 450                           | 189.7                | 0.43                        | 680                           | 183.6                | 0.67                        |  |
|                               | 7.77                           | D22                           | 224                    | 230                           | 238.8                | 0.18                        | 450                           | 214.5                | 0.38                        | 680                           | 207.6                | 0.60                        |  |
|                               | K305/C203                      |                               |                        |                               |                      |                             |                               |                      |                             |                               |                      |                             |  |
|                               | 6.96                           | D25                           | 250                    | 230                           | 248.3                | 0.17                        | 450                           | 264.1                | 0.31                        | 680                           | 265.5                | 0.47                        |  |
|                               | 6.21                           | D28                           | 280                    | 230                           | 281.3                | 0.15                        | 450                           | 298.3                | 0.27                        | 680                           | 299.9                | 0.41                        |  |
|                               | 5.52                           | D32                           | 315                    | 230                           | 332.1                | 0.13                        | 450                           | 331.1                | 0.25                        | 680                           | 332.9                | 0.37                        |  |
|                               | 4.90                           | D36                           | 355                    | 230                           | 370.3                |                             | 450                           | 379.4                | 0.22                        | 680                           | 381.5                | 0.32                        |  |
|                               | 4.35                           | D40                           | 400                    | 230                           | 413.8                |                             | 450                           | 416.6                | 0.20                        | 680                           | 418.9                | 0.30                        |  |
|                               | 3.87                           | D45                           | 450                    | 230                           | 439.2                |                             | 450                           | 468.7                | 0.17                        | 680                           | 471.2                | 0.26                        |  |
|                               | K303/C301                      |                               |                        |                               |                      |                             |                               |                      |                             |                               |                      |                             |  |
|                               | 3.48                           | D50                           | 500                    | 230                           | 522.7                |                             | 450                           | 502.2                | 0.16                        | 680                           | 504.9                | 0.25                        |  |
|                               | K304/C303                      |                               |                        |                               |                      |                             |                               |                      |                             |                               |                      |                             |  |
|                               | 3.11                           | D56                           | 560                    | 230                           | 599.0                |                             | 450                           | 569.2                | 0.14                        | 680                           | 572.2                | 0.22                        |  |
|                               | 2.76                           | D63                           | 630                    | 230                           | 682.4                |                             | 450                           | 643.6                | 0.13                        | 680                           | 647.0                | 0.19                        |  |
|                               | 2.45                           | D71                           | 710                    | 230                           | 740.5                |                             | 450                           | 732.8                |                             | 680                           | 736.8                | 0.17                        |  |
|                               | K305/C303                      |                               |                        |                               |                      |                             |                               |                      |                             |                               |                      |                             |  |
|                               | 2.18                           | D80                           | 800                    | 230                           | 805.9                |                             | 450                           | 825.8                |                             | 680                           | 830.3                | 0.15                        |  |
|                               | 1.93                           | D90                           | 900                    | 230                           | 893.0                |                             | 450                           | 937.4                |                             | 680                           | 942.5                | 0.13                        |  |
|                               | 1.74                           | E10                           | 1000                   | 230                           | 998.3                |                             | 450                           | 1001                 |                             | 680                           | 1006                 |                             |  |
|                               | 1.55                           | E11                           | 1120                   | 230                           | 1172                 |                             | 450                           | 1127                 |                             | 680                           | 1133                 |                             |  |
|                               | 1.39                           | E13                           | 1250                   | 230                           | 1285                 |                             | 450                           | 1283                 |                             | 680                           | 1290                 |                             |  |
|                               | 1.24                           | E14                           | 1400                   | 230                           | 1394                 |                             | 450                           | 1455                 |                             | 680                           | 1462                 |                             |  |
|                               | 1.09                           | E16                           | 1600                   | 230                           | 1681                 |                             | 450                           | 1644                 |                             | 680                           | 1653                 |                             |  |
|                               | 0.97                           | E18                           | 1800                   | 230                           | 1880                 |                             | 450                           | 1771                 |                             | 680                           | 1780                 |                             |  |
|                               | 0.87                           | E20                           | 2000                   | 230                           | 1997                 |                             | 450                           | 2072                 |                             | 680                           | 2083                 |                             |  |
|                               | 0.78                           | E22                           | 2240                   | 230                           | 2207                 |                             | 450                           | 2351                 |                             | 680                           | 2364                 |                             |  |
|                               | 0.70                           | E25                           | 2500                   | 230                           | 2561                 |                             | 450                           | 2581                 |                             | 680                           | 2459                 |                             |  |
|                               | 0.62                           | E28                           | 2800                   | 230                           | 3088                 |                             | 450                           | 2917                 |                             | 680                           | 2780                 |                             |  |
|                               | 0.55                           | E32                           | 3150                   | 230                           | 3455                 |                             | 450                           | 3142                 |                             | 680                           | 2994                 |                             |  |
|                               | 0.49                           | E36                           | 3550                   | 230                           | 3669                 |                             | 450                           | 3676                 |                             | 680                           | 3504                 |                             |  |
|                               | 0.44                           | E40                           | 4000                   | 230                           | 4055                 |                             | 450                           | 4171                 |                             | 680                           | 3975                 |                             |  |
|                               | 0.39                           | E45                           | 4500                   | 230                           | 4756                 |                             | 450                           | 4594                 |                             | 680                           | 4378                 |                             |  |
|                               | 0.35                           | E50                           | 5000                   | 230                           | 5403                 |                             | 450                           | 5023                 |                             | 680                           | 4787                 |                             |  |
|                               | 0.31                           | E56                           | 5600                   | 230                           | 5830                 |                             | 450                           | 5491                 |                             | 680                           | 5233                 |                             |  |
|                               | 0.28                           | E63                           | 6300                   |                               |                      |                             | 450                           | 6431                 |                             | 680                           | 6257                 |                             |  |
| 0.25                          | E71                            | 7100                          |                        |                               |                      | 450                         | 7032                          |                      | 680                         | 6841                          |                      |                             |  |
| 0.22                          | E80                            | 8000                          |                        |                               |                      | 450                         | 7688                          |                      | 680                         | 7480                          |                      |                             |  |
| 0.19                          | E90                            | 9000                          |                        |                               |                      |                             |                               |                      |                             |                               |                      |                             |  |
| 0.17                          | F10                            | 10000                         |                        |                               |                      |                             |                               |                      |                             |                               |                      |                             |  |
| 0.16                          | F11                            | 11200                         |                        |                               |                      |                             |                               |                      |                             |                               |                      |                             |  |
| 0.14                          | F13                            | 12500                         |                        |                               |                      |                             |                               |                      |                             |                               |                      |                             |  |
| 0.12                          | F14                            | 14000                         |                        |                               |                      |                             |                               |                      |                             |                               |                      |                             |  |

| 额定输出扭矩<br>Rated Output Torque | 精确减速比<br>Exact Ratio | 额定输入功率<br>Rated Input Power | 额定输出扭矩<br>Rated Output Torque | 精确减速比<br>Exact Ratio | 额定输入功率<br>Rated Input Power | 额定输出扭矩<br>Rated Output Torque | 精确减速比<br>Exact Ratio | 额定输入功率<br>Rated Input Power |  |
|-------------------------------|----------------------|-----------------------------|-------------------------------|----------------------|-----------------------------|-------------------------------|----------------------|-----------------------------|--|
| $T_{2N}$<br>(N.m)             | $i_{ex}$             | $P_{1N}$<br>(kW)            | $T_{2N}$<br>(N.m)             | $i_{ex}$             | $P_{1N}$<br>(kW)            | $T_{2N}$<br>(N.m)             | $i_{ex}$             | $P_{1N}$<br>(kW)            |  |
| K306/C203                     |                      |                             | K307/C203                     |                      |                             | K308/C205                     |                      |                             |  |
| 950                           | 115.7                | 1.50                        | 1750                          | 106.8                | 2.99                        | 3000                          | 113.3                | 4.83                        |  |
| 950                           | 132.6                | 1.31                        | 1750                          | 122.4                | 2.60                        | 3000                          | 120.8                | 4.53                        |  |
| 950                           | 145.6                | 1.19                        | 1750                          | 134.4                | 2.37                        | 3000                          | 135.0                | 4.05                        |  |
| 950                           | 163.8                | 1.06                        | 1750                          | 151.2                | 2.11                        | 3000                          | 150.0                | 3.64                        |  |
| K303/C301                     |                      |                             |                               |                      |                             |                               |                      |                             |  |
| 950                           | 175.5                | 0.99                        | 1750                          | 162.0                | 1.97                        | 3000                          | 187.5                | 2.92                        |  |
| K306/C303                     |                      |                             | K307/C303                     |                      |                             | K308/C305                     |                      |                             |  |
| 950                           | 198.9                | 0.87                        | 1750                          | 183.6                | 1.74                        | 3000                          | 205.0                | 2.67                        |  |
| 950                           | 224.9                | 0.77                        | 1750                          | 207.6                | 1.54                        | 3000                          | 233.8                | 2.34                        |  |
| K306/C203                     |                      |                             | K307/C203                     |                      |                             | K308/C205                     |                      |                             |  |
| 950                           | 254.2                | 0.68                        | 1750                          | 250.6                | 1.27                        | 3000                          | 258.8                | 2.11                        |  |
| 950                           | 287.1                | 0.60                        | 1750                          | 283.1                | 1.13                        | 3000                          | 284.9                | 1.92                        |  |
| 950                           | 318.6                | 0.54                        | 1750                          | 314.2                | 1.01                        | 3000                          | 323.4                | 1.69                        |  |
| 950                           | 365.2                | 0.47                        | 1750                          | 360.1                | 0.89                        | 3000                          | 344.9                | 1.58                        |  |
| 950                           | 401.0                | 0.43                        | 1750                          | 395.4                | 0.81                        | 3000                          | 385.6                | 1.42                        |  |
| 950                           | 451.1                | 0.38                        | 1750                          | 444.8                | 0.72                        | 3000                          | 428.4                | 1.28                        |  |
| K303/C301                     |                      |                             |                               |                      |                             |                               |                      |                             |  |
| 950                           | 483.3                | 0.36                        | 1750                          | 476.6                | 0.67                        | 3000                          | 535.5                | 1.02                        |  |
| K306/C303                     |                      |                             | K307/C303                     |                      |                             | K308/C305                     |                      |                             |  |
| 950                           | 547.7                | 0.32                        | 1750                          | 540.1                | 0.59                        | 3000                          | 585.5                | 0.93                        |  |
| 950                           | 619.3                | 0.28                        | 1750                          | 610.7                | 0.52                        | 3000                          | 667.6                | 0.82                        |  |
| 950                           | 705.3                | 0.25                        | 1750                          | 695.4                | 0.46                        | 3000                          | 710.4                | 0.77                        |  |
| K303/C301                     |                      |                             |                               |                      |                             |                               |                      |                             |  |
| 950                           | 794.8                | 0.22                        | 1750                          | 783.7                | 0.41                        | 3000                          | 799.7                | 0.68                        |  |
| 950                           | 902.2                | 0.19                        | 1750                          | 889.6                | 0.36                        | 3000                          | 899.6                | 0.61                        |  |
| 950                           | 963.0                | 0.18                        | 1750                          | 949.6                | 0.34                        | 3000                          | 1014                 | 0.54                        |  |
| 950                           | 1085                 | 0.16                        | 1750                          | 1070                 | 0.30                        | 3000                          | 1125                 | 0.49                        |  |
| 950                           | 1235                 | 0.14                        | 1750                          | 1218                 | 0.26                        | 3000                          | 1289                 | 0.42                        |  |
| 950                           | 1400                 | 0.12                        | 1750                          | 1380                 | 0.23                        | 3000                          | 1417                 | 0.39                        |  |
| 950                           | 1582                 |                             | 1750                          | 1560                 | 0.20                        | 3000                          | 1681                 | 0.33                        |  |
| 950                           | 1704                 |                             | 1750                          | 1680                 | 0.19                        | 3000                          | 1867                 | 0.29                        |  |
| 950                           | 1994                 |                             | 1750                          | 1966                 | 0.16                        | 3000                          | 2138                 | 0.26                        |  |
| 950                           | 2263                 |                             | 1750                          | 2231                 | 0.14                        | 3000                          | 2349                 | 0.23                        |  |
| 950                           | 2475                 |                             | 1750                          | 2459                 | 0.13                        | 3000                          | 2509                 | 0.22                        |  |
| 950                           | 2798                 |                             | 1750                          | 2780                 |                             | 3000                          | 2977                 | 0.18                        |  |
| 950                           | 3013                 |                             | 1750                          | 2994                 |                             | 3000                          | 3305                 | 0.17                        |  |
| 950                           | 3526                 |                             | 1750                          | 3504                 |                             | 3000                          | 3786                 | 0.14                        |  |
| 950                           | 4001                 |                             | 1750                          | 3975                 |                             | 3000                          | 4159                 | 0.13                        |  |
| 950                           | 4406                 |                             | 1750                          | 4378                 |                             | 3000                          | 4689                 |                             |  |
| 950                           | 4817                 |                             | 1750                          | 4787                 |                             | 3000                          | 5012                 |                             |  |
| 950                           | 5267                 |                             | 1750                          | 5233                 |                             | 3000                          | 5827                 |                             |  |
| 950                           | 5819                 |                             | 1750                          | 5860                 |                             | 3000                          | 6678                 |                             |  |
| 950                           | 6362                 |                             | 1750                          | 6408                 |                             | 3000                          | 7137                 |                             |  |
| 950                           | 6956                 |                             | 1750                          | 7005                 |                             | 3000                          | 8298                 |                             |  |
| K303/C301                     |                      |                             |                               |                      |                             |                               |                      |                             |  |
|                               |                      |                             |                               |                      |                             |                               | 3000                 | 9333                        |  |
|                               |                      |                             |                               |                      |                             |                               | 3000                 | 10197                       |  |
|                               |                      |                             |                               |                      |                             |                               | 3000                 | 11178                       |  |
|                               |                      |                             |                               |                      |                             |                               | 3000                 | 12150                       |  |

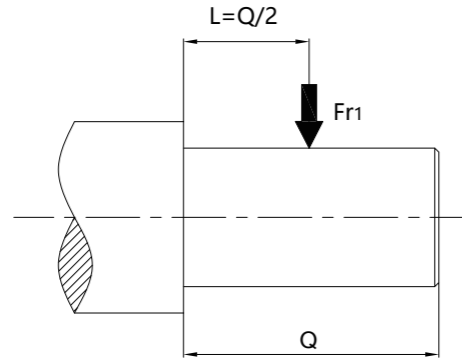


4 允许的径向力表

4.1 输入轴径向力Fr1(N)

4 Permissible Radial Force

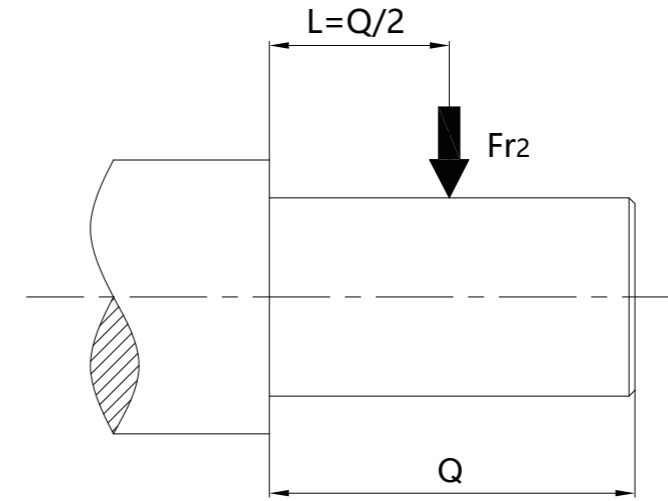
4.1 Radial Force of Input Shaft Fr1(N)



|     | Fr1 (N) |      |      |      |      |      |      |      |       |       |       |       |
|-----|---------|------|------|------|------|------|------|------|-------|-------|-------|-------|
|     | K303    | K304 | K305 | K306 | K307 | K308 | K309 | K310 | K312  | K315  | K316  | K318  |
| AE2 | 803     | 803  | 803  | 803  | 803  | 803  | /    | /    | /     | /     | /     | /     |
| AE3 | /       | 1504 | 1504 | 1504 | 1504 | 1504 | 1504 | 1504 | /     | /     | /     | /     |
| AE4 | /       | /    | /    | /    | 2188 | 2188 | 2188 | 2188 | 2188  | /     | /     | /     |
| AE5 | /       | /    | /    | /    | /    | 4207 | 4207 | 4207 | 4207  | 4207  | 4207  | 4207  |
| AE6 | /       | /    | /    | /    | /    | /    | 5664 | 5664 | 5664  | 5664  | 5664  | 5664  |
| AE7 | /       | /    | /    | /    | /    | /    | /    | /    | 9957  | 9957  | 9957  | 9957  |
| AE8 | /       | /    | /    | /    | /    | /    | /    | /    | 12546 | 12546 | 12546 | 12546 |

4.2 输出轴径向力Fr2(N)

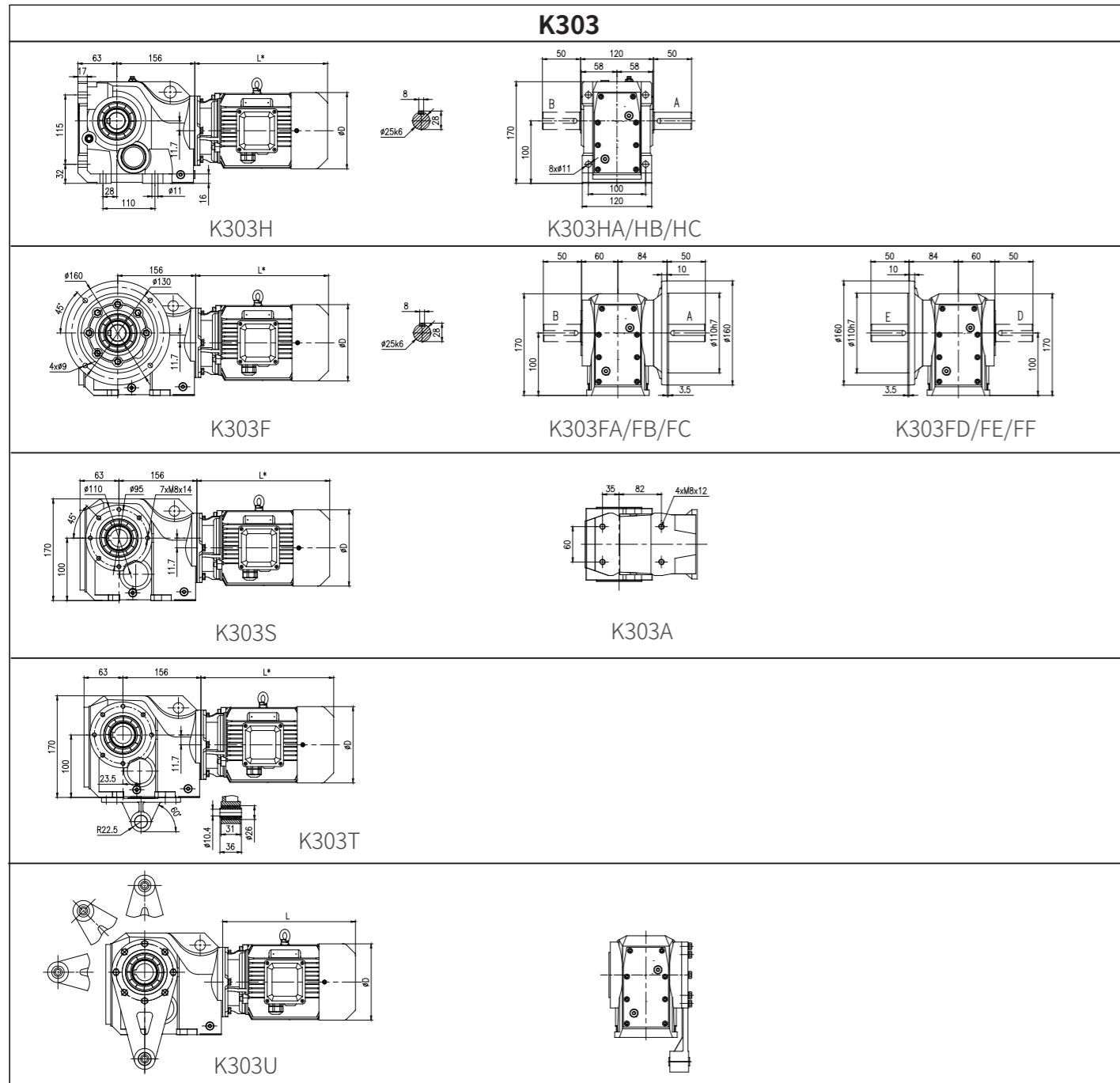
4.2 Radial Force of Output Shaft Fr2(N)



| n <sub>2N</sub><br>(r/min) | Fr2 (N) |      |      |       |       |       |       |       |       |       |        |        |
|----------------------------|---------|------|------|-------|-------|-------|-------|-------|-------|-------|--------|--------|
|                            | K303    | K304 | K305 | K306  | K307  | K308  | K309  | K310  | K312  | K315  | K316   | K318   |
| 315~425                    | 1466    | 2430 | 4330 | 7715  | /     | /     | /     | /     | /     | /     | /      | /      |
| 280~315                    | 1600    | 2650 | 4720 | 8410  | /     | /     | /     | /     | /     | /     | /      | /      |
| 225~280                    | 1750    | 2890 | 5150 | 9165  | /     | /     | /     | /     | /     | /     | /      | /      |
| 160~225                    | 1899    | 3150 | 5610 | 9990  | 11135 | 12150 | 14220 | 22140 | 29250 | /     | /      | /      |
| 140~160                    | 2070    | 3240 | 5791 | 10350 | 12510 | 12780 | 14760 | 23220 | 29700 | 30400 | 52180  | 58530  |
| 125~140                    | 2250    | 3510 | 6105 | 10620 | 12960 | 13410 | 14580 | 24300 | 30510 | 31920 | 54790  | 61450  |
| 112~125                    | 2340    | 3348 | 6088 | 11070 | 13590 | 13320 | 14470 | 25200 | 31860 | 33520 | 57500  | 64530  |
| 90~112                     | 2430    | 3510 | 6001 | 10260 | 13500 | 13770 | 15300 | 19710 | 28620 | 35190 | 60400  | 67750  |
| 80~90                      | 2610    | 3807 | 6139 | 9900  | 14490 | 14670 | 16020 | 21240 | 30240 | 36950 | 63420  | 71140  |
| 71~80                      | 2799    | 3960 | 6204 | 9720  | 14130 | 15120 | 17190 | 23490 | 31500 | 38800 | 66600  | 74700  |
| 63~71                      | 2880    | 4239 | 6419 | 9720  | 13860 | 16110 | 18810 | 26010 | 34200 | 42300 | 69750  | 76770  |
| 56~63                      | 2997    | 4500 | 6490 | 9360  | 13860 | 16200 | 19800 | 28800 | 36900 | 46800 | 73500  | 78120  |
| 50~56                      | 3150    | 4770 | 6650 | 9270  | 13860 | 16650 | 20970 | 29700 | 38700 | 48600 | 79740  | 81180  |
| 45~50                      | 3285    | 5040 | 6835 | 9270  | 13860 | 17280 | 22050 | 31500 | 41340 | 51300 | 81900  | 85050  |
| 35.5~45                    | 3375    | 5328 | 7028 | 9270  | 13860 | 19260 | 23130 | 33300 | 44460 | 54000 | 89730  | 92700  |
| 31.5~35.5                  | 3960    | 5328 | 7028 | 9270  | 13860 | 20520 | 25470 | 36450 | 48600 | 60300 | 96660  | 101430 |
| 28~31.5                    | 4194    | 5328 | 7028 | 9270  | 13860 | 21150 | 27900 | 37980 | 52200 | 65250 | 105300 | 113400 |
| 25~28                      | 4410    | 5328 | 7028 | 9270  | 13860 | 22500 | 29070 | 39960 | 53910 | 67410 | 108000 | 113490 |
| 22.4~25                    | 4662    | 5328 | 7028 | 9270  | 13860 | 23580 | 30420 | 41220 | 57600 | 71100 | 114300 | 123300 |
| 20~22.4                    | 4968    | 5328 | 7028 | 9270  | 13860 | 24570 | 32040 | 43200 | 60930 | 75780 | 126000 | 130500 |
| 18~20                      | 5076    | 5328 | 7028 | 9270  | 13860 | 24570 | 33390 | 45450 | 63000 | 79200 | 126090 | 132300 |
| 16~18                      | 5076    | 5328 | 7028 | 9270  | 13860 | 24570 | 34920 | 47700 | 66150 | 82710 | 132480 | 143100 |
| ≤16                        | 5076    | 5328 | 7028 | 9270  | 13860 | 24570 | 36000 | 51300 | 71280 | 88200 | 135000 | 152910 |

5 外形尺寸图  
5.1 K303~K318+MP

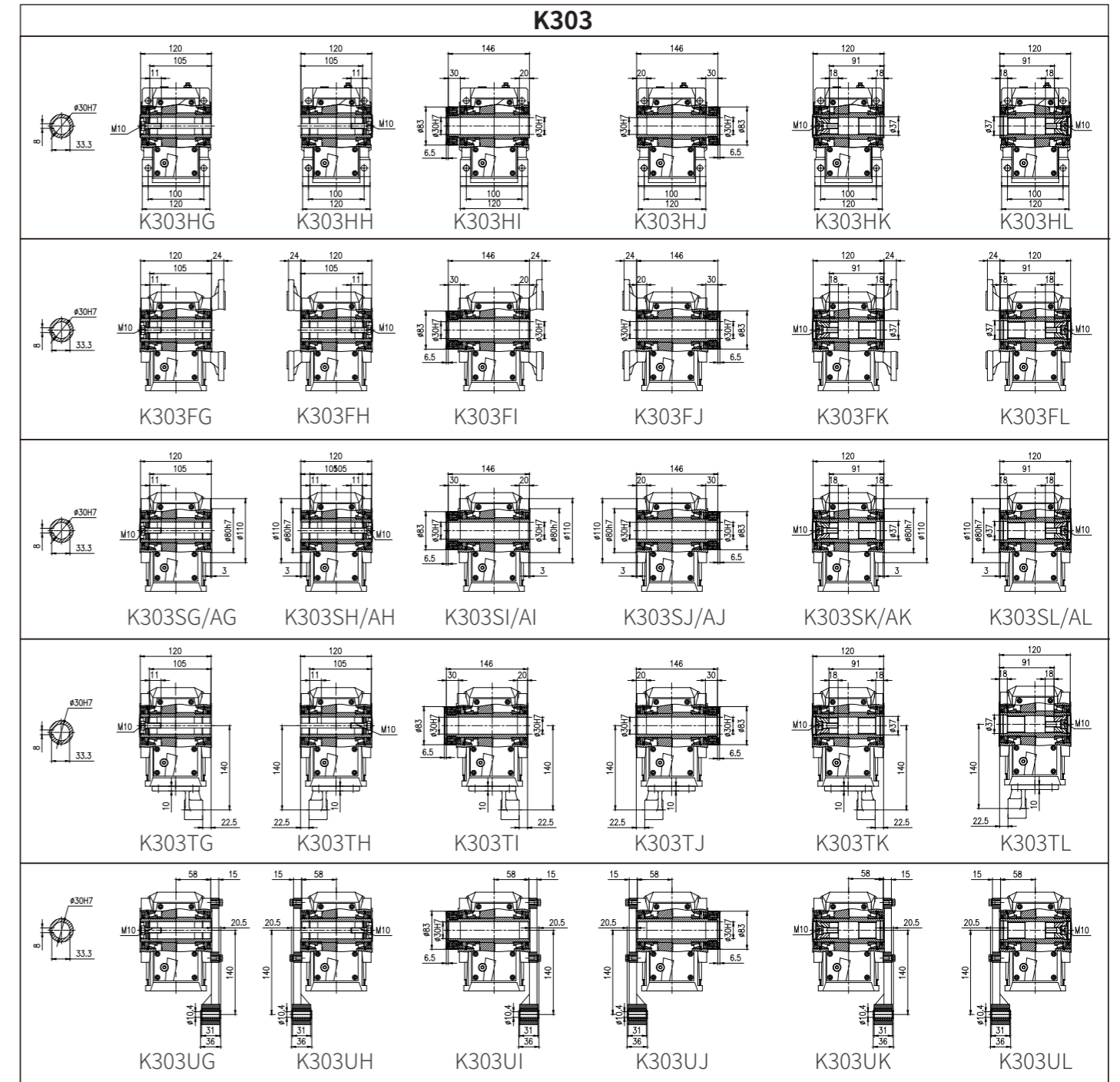
5 Dimensions  
5.1 K303~K318+MP



MP motor dimension for K303

| Motor Type                   | P <sub>1</sub> /kW | i <sub>n</sub> | MP  |     |     |     |     |     |     | D |
|------------------------------|--------------------|----------------|-----|-----|-----|-----|-----|-----|-----|---|
|                              |                    |                | L1  | L2  | L3  | L5  | L6  | L7  |     |   |
| Fan                          | 0.12               | 4-100          | 206 | 261 | 241 | 296 | /   | /   | 124 |   |
| Driven fan                   | 0.18               | 4-100          | 206 | 261 | 241 | 296 | /   | /   | 124 |   |
| Brake + fan                  | 0.25               | 4-100          | 223 | 268 | 263 | 313 | 313 | 353 | 139 |   |
| Double brake                 | 0.37               | 4-100          | 223 | 268 | 263 | 313 | 313 | 353 | 139 |   |
| Brake + Driven fan           | 0.55               | 4-71           | 299 | 344 | 359 | 404 | 404 | 454 | 162 |   |
| Encoder + Driven fan         | 0.75               | 4-56           | 299 | 344 | 359 | 404 | 404 | 454 | 162 |   |
| Brake + Encoder + Driven fan | 1.1                | 4-35.5         | 322 | 367 | 377 | 422 | 422 | 477 | 176 |   |
|                              | 1.5                | 4-28           | 347 | 392 | 402 | 447 | 447 | 502 | 176 |   |
|                              | 2.2                | 4-16           | 394 | 434 | 469 | 509 | 509 | 564 | 202 |   |
|                              | 3                  | 4-11.2         | 394 | 434 | 469 | 509 | 509 | 564 | 202 |   |

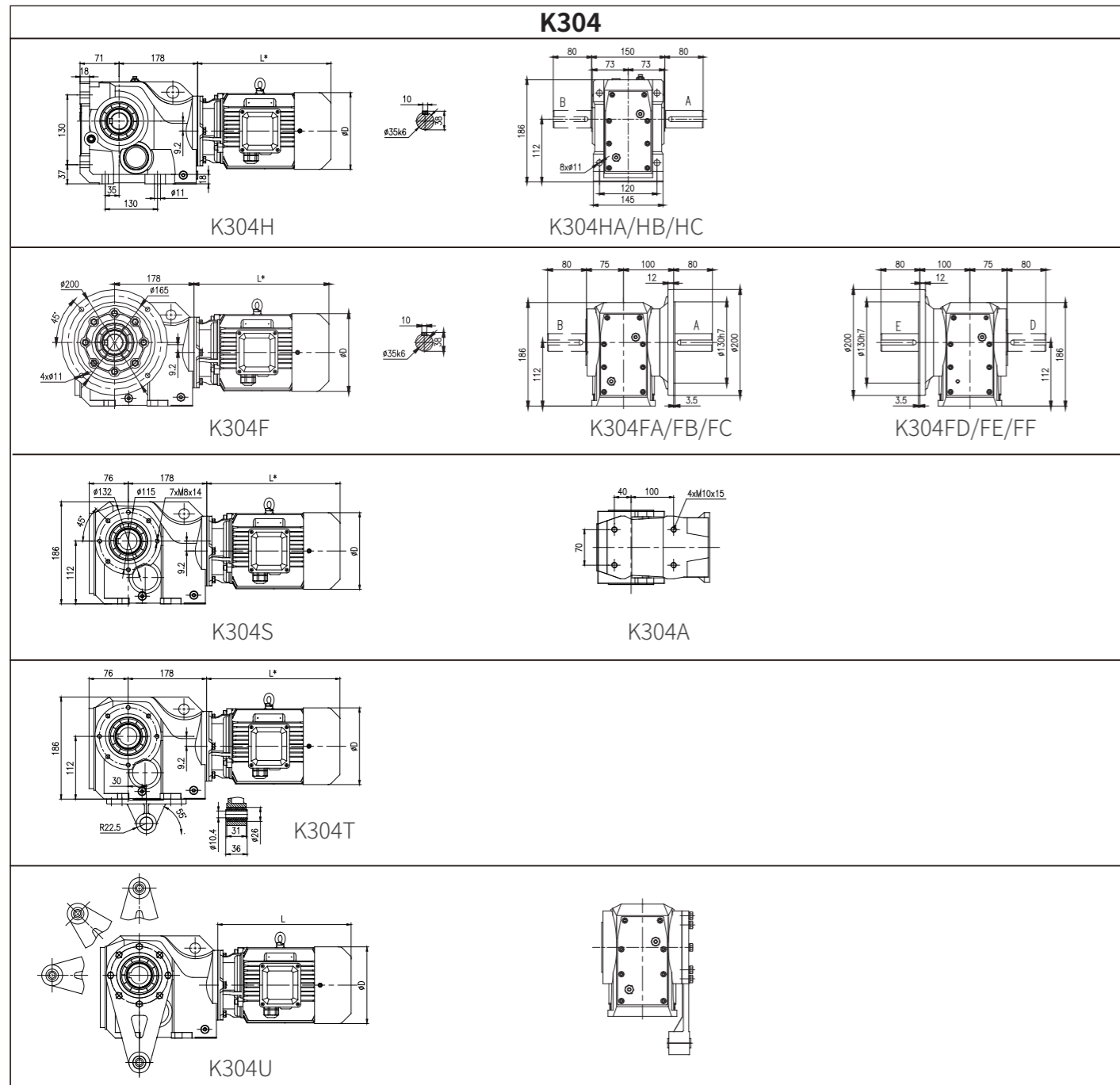
注:渐开线花键空心轴的花键规格DIN5480: Note: Involute spline size DIN5480: m1.25×z22×α30×D30×9H



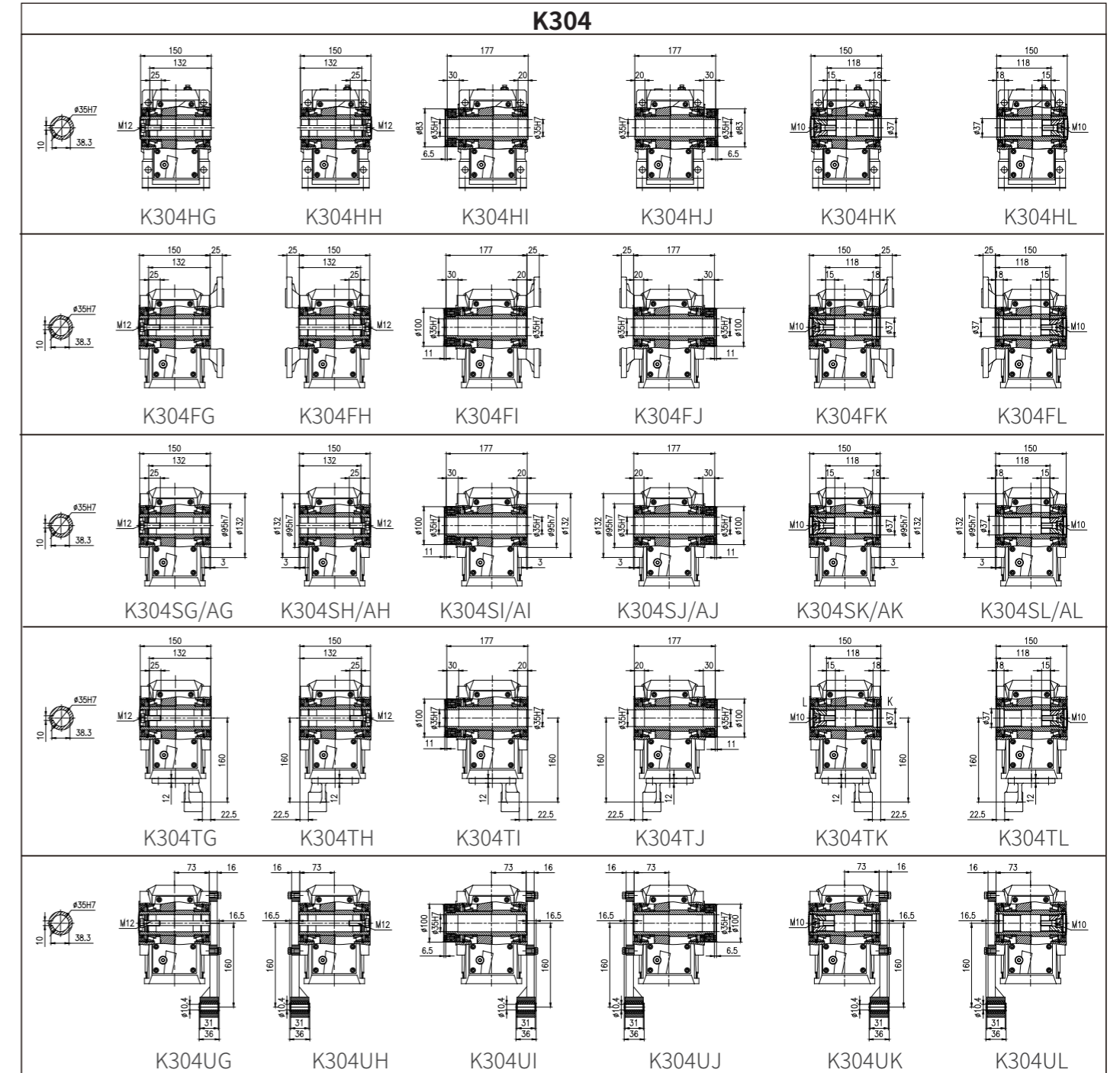
K303/C.01

MP motor dimension for K303/C.01

| Motor Type | P <sub>1</sub> /kW | i <sub>n</sub> | MP  |    |     |    |    |    |     | D |
|------------|--------------------|----------------|-----|----|-----|----|----|----|-----|---|
|            |                    |                | L1  | L2 | L3  | L5 | L6 | L7 |     |   |
| K303/C201  | 0.12               | 112-500        | 206 | /  | 241 | /  | /  | /  | 124 |   |
| K303/C301  | 0.18               | 112-250        | 198 | /  | 233 | /  | /  | /  | 124 |   |
|            | 0.25               | 112-224        | 221 | /  | 256 | /  | /  | /  | 139 |   |
|            | 0.37               | 112-140        | 221 | /  | 256 | /  | /  | /  | 139 |   |



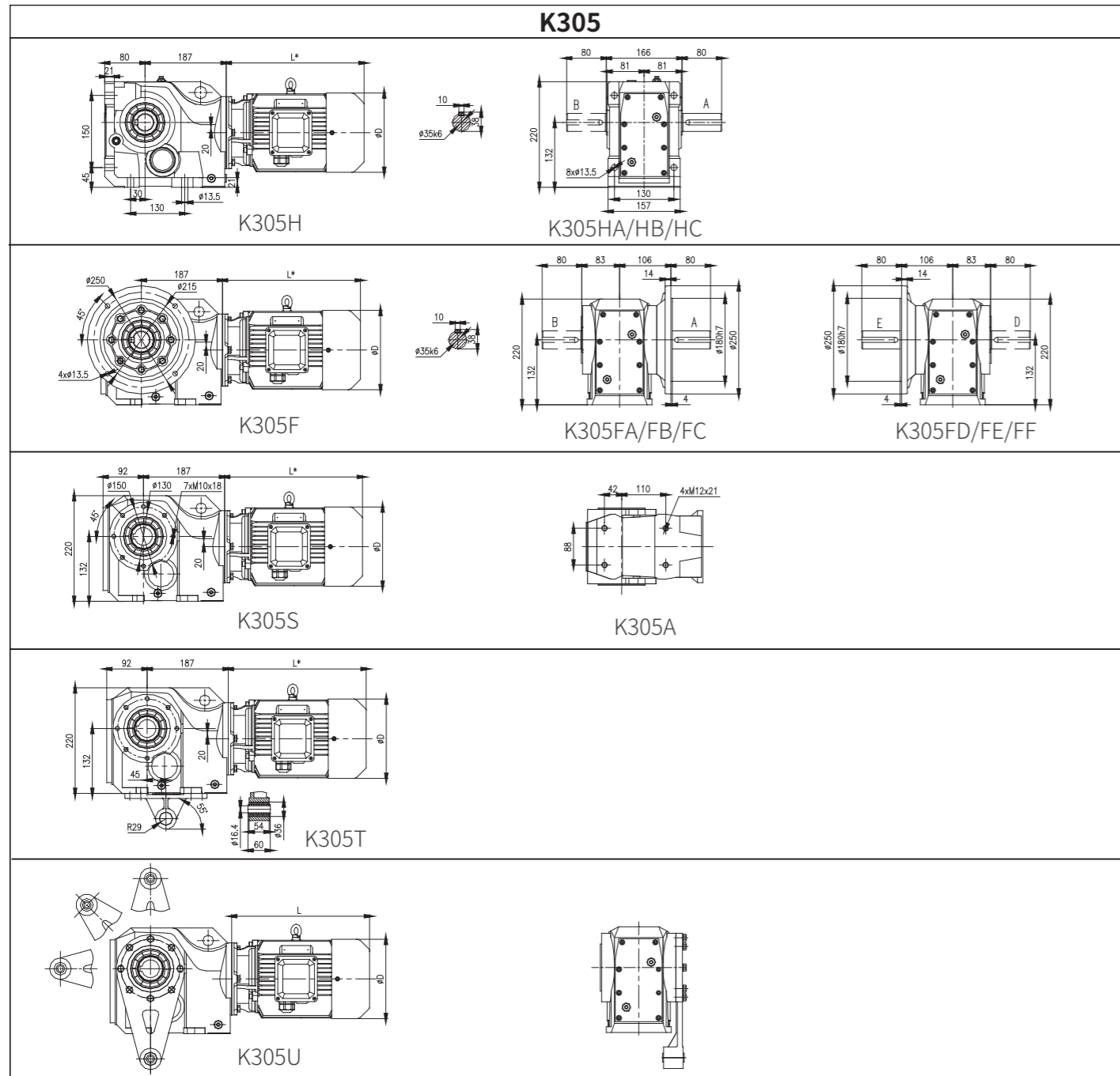
注:渐开线花键空心轴的花键规格DIN5480: Note: Involute spline size DIN5480:  
m2×z16×α30×D35×9H m2×z16×α30×D35×9H



**K304/C.03**

**MP motor dimension for K304/C.03**

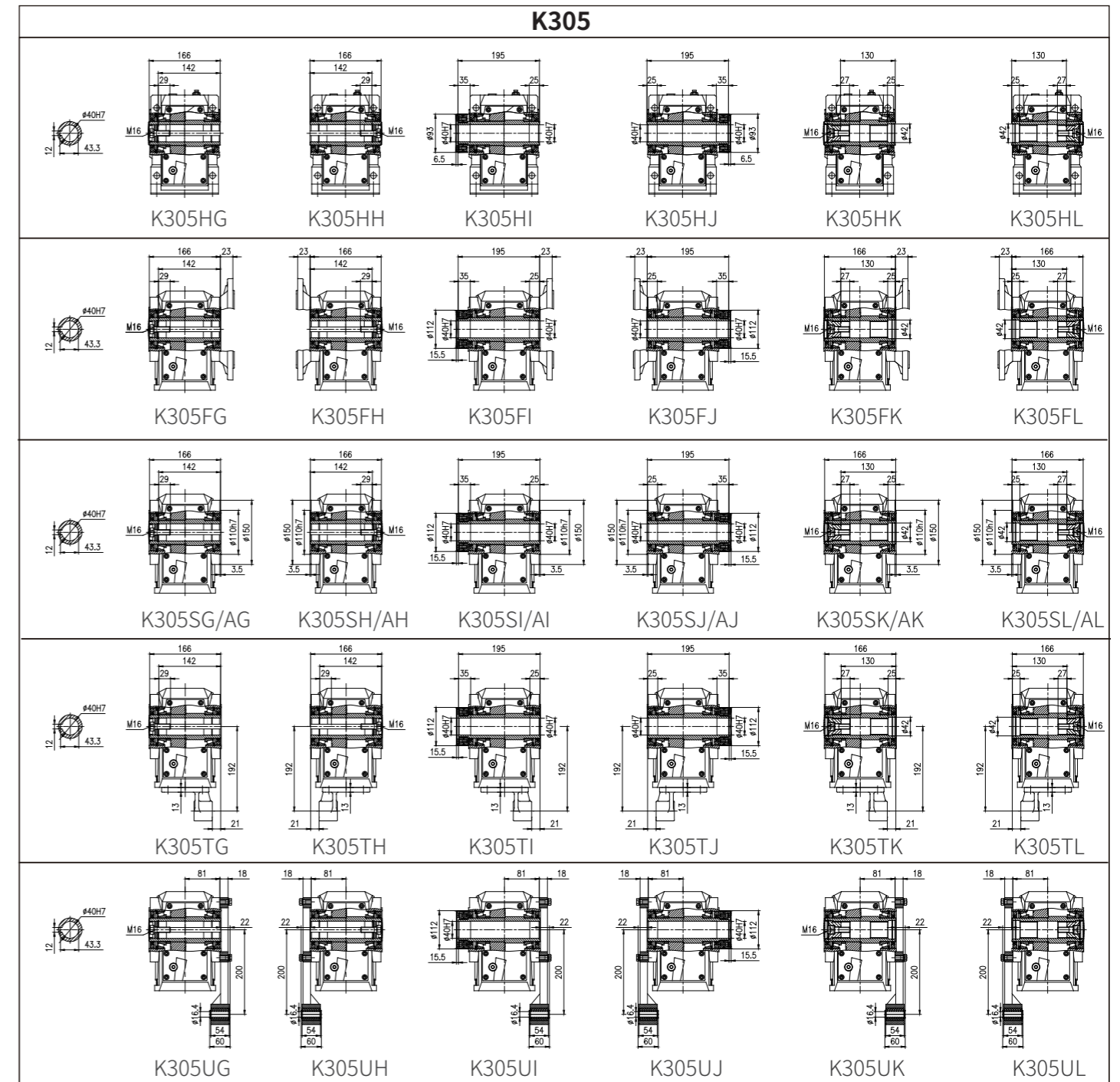
|  | P <sub>1</sub> /kW | i <sub>N</sub> | MP  |    |     |    |    |    |     | D |
|--|--------------------|----------------|-----|----|-----|----|----|----|-----|---|
|  |                    |                | L1  | L2 | L3  | L5 | L6 | L7 |     |   |
|  | 0.12               | 112-900        | 206 | /  | 241 | /  | /  | /  | 124 |   |
|  | 0.18               | 112-630        | 206 | /  | 241 | /  | /  | /  | 124 |   |
|  | 0.25               | 112-250        | 228 | /  | 263 | /  | /  | /  | 139 |   |
|  | 0.37               | 112-250        | 228 | /  | 263 | /  | /  | /  | 139 |   |
|  | 0.55               | 112-200        | 299 | /  | 359 | /  | /  | /  | 162 |   |



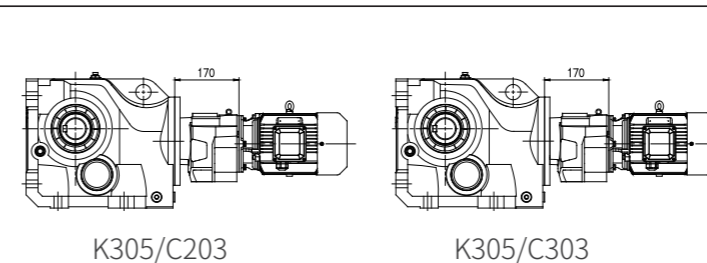
MP motor dimension for K305

| MP                           | P <sub>1</sub> /kW | i <sub>N</sub> | MP  |     |     |     |     |     |     | D |
|------------------------------|--------------------|----------------|-----|-----|-----|-----|-----|-----|-----|---|
|                              |                    |                | L1  | L2  | L3  | L5  | L6  | L7  |     |   |
| Fan                          | 0.25               | 71-112         | 224 | 269 | 264 | 314 | 314 | 354 | 139 |   |
| Driven fan                   | 0.37               | 63-112         | 224 | 269 | 264 | 314 | 314 | 354 | 139 |   |
| Brake + fan                  | 0.55               | 40-112         | 300 | 345 | 360 | 405 | 405 | 455 | 162 |   |
| Double brake                 | 0.75               | 31.5-112       | 300 | 345 | 360 | 405 | 405 | 455 | 162 |   |
| Brake + Driven fan           | 1.1                | 25-63          | 323 | 368 | 378 | 423 | 423 | 478 | 176 |   |
| Encoder + Driven fan         | 1.5                | 16-63          | 348 | 393 | 403 | 448 | 448 | 503 | 176 |   |
| Brake + Encoder + Driven fan | 2.2                | 6.3-56         | 395 | 435 | 470 | 510 | 510 | 565 | 202 |   |
|                              | 3                  | 4-40           | 395 | 435 | 470 | 510 | 510 | 565 | 202 |   |
|                              | 4                  | 4-28           | 459 | 509 | 534 | 584 | 584 | 639 | 220 |   |

注:渐开线花键空心轴的花键规格DIN5480: Note: Involute spline size DIN5480: m2×z16×α30×D35×9H

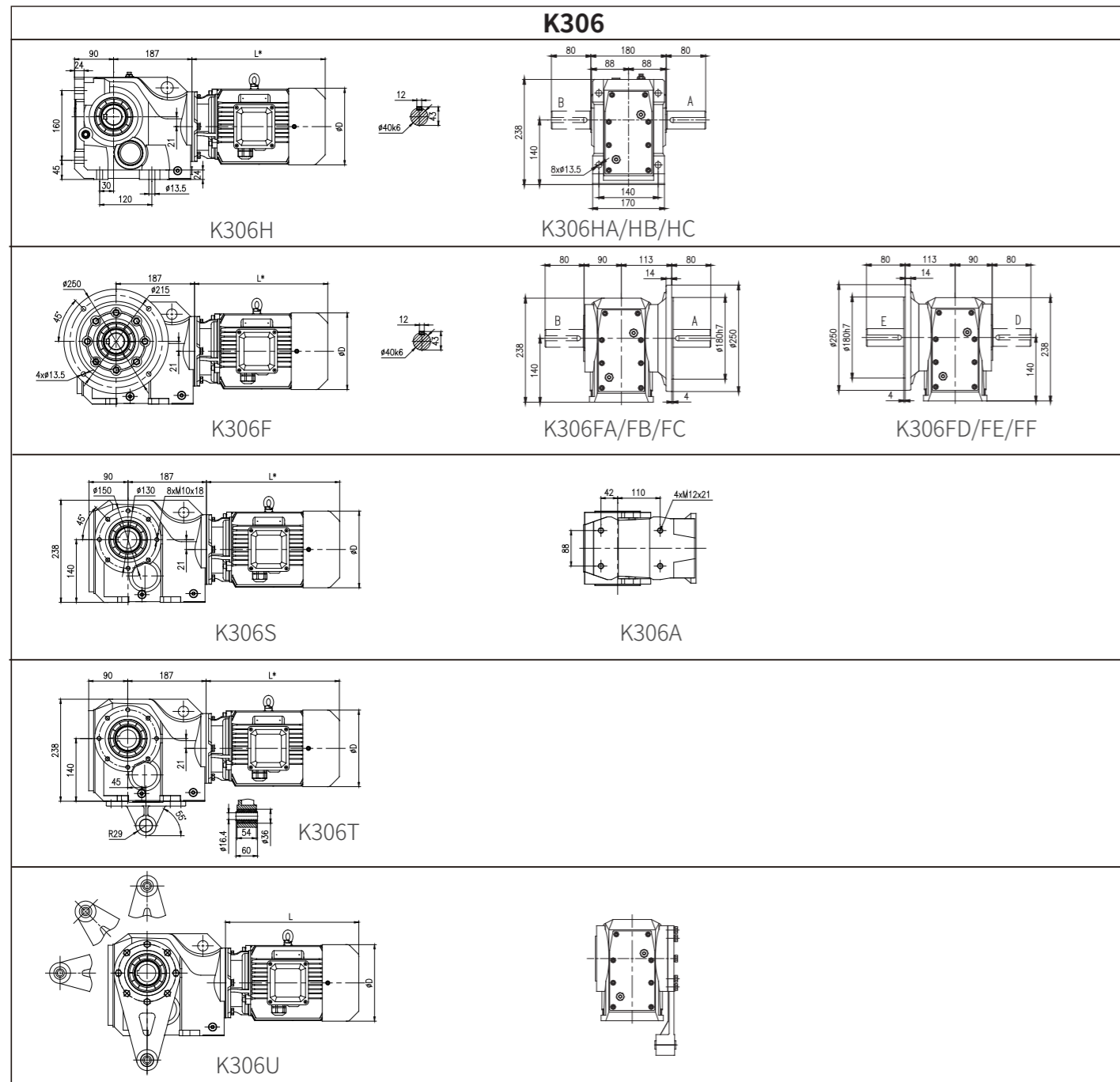


K305/C.03



MP motor dimension for K305/C.03

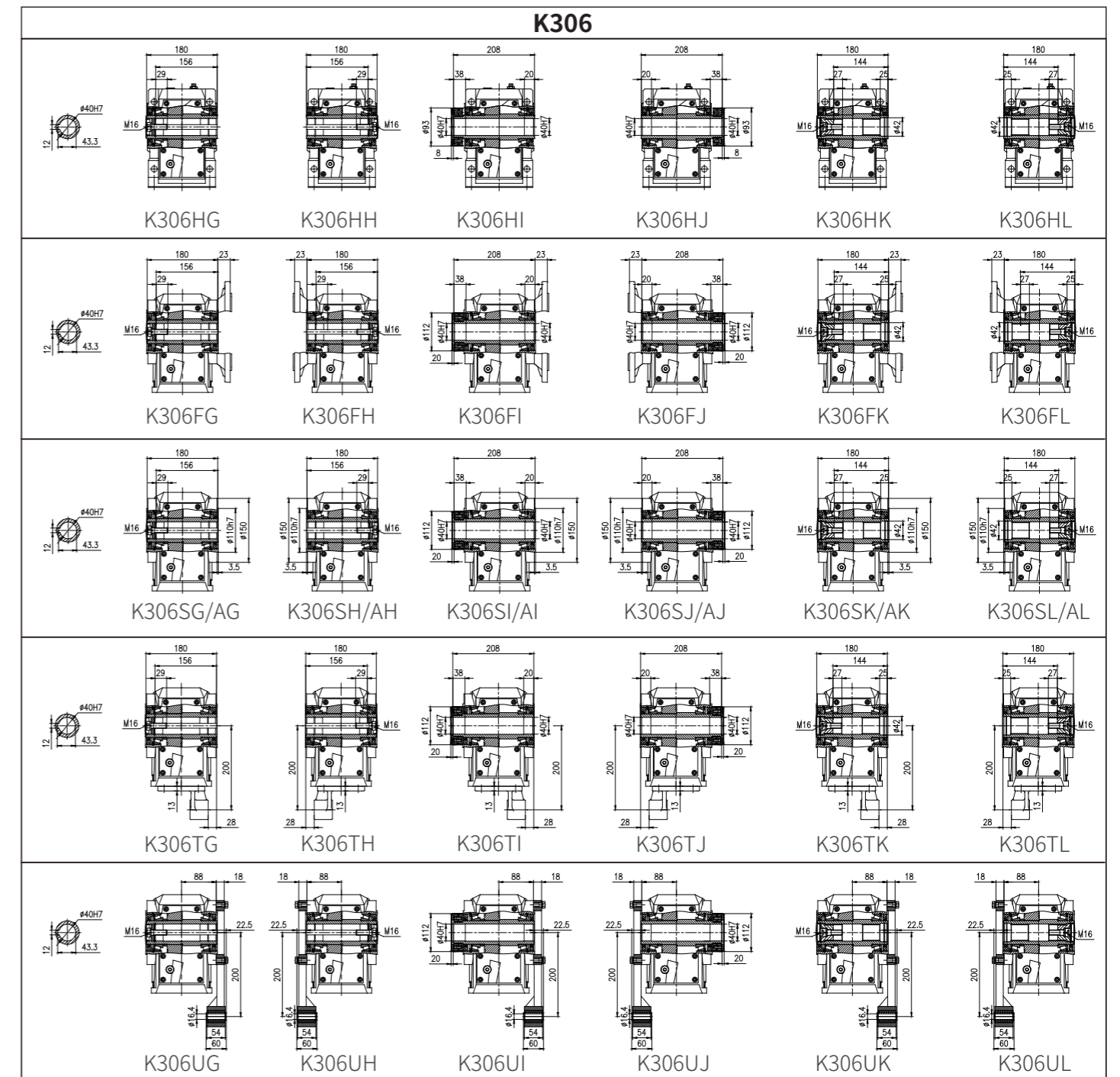
| MP | P <sub>1</sub> /kW | i <sub>N</sub> | MP  |    |     |    |    |    |     | D |
|----|--------------------|----------------|-----|----|-----|----|----|----|-----|---|
|    |                    |                | L1  | L2 | L3  | L5 | L6 | L7 |     |   |
|    | 0.12               | 112-1600       | 206 | /  | 241 | /  | /  | /  | 124 |   |
|    | 0.18               | 112-900        | 206 | /  | 241 | /  | /  | /  | 124 |   |
|    | 0.25               | 112-250        | 228 | /  | 263 | /  | /  | /  | 139 |   |
|    | 0.37               | 112-250        | 228 | /  | 263 | /  | /  | /  | 139 |   |
|    | 0.55               | 112-250        | 299 | /  | 359 | /  | /  | /  | 162 |   |



MP motor dimension for K306

| MP                            | P <sub>1</sub> /kW | i <sub>n</sub> | MP  |     |     |     |     |     |     | D |
|-------------------------------|--------------------|----------------|-----|-----|-----|-----|-----|-----|-----|---|
|                               |                    |                | L1  | L2  | L3  | L5  | L6  | L7  |     |   |
| Fan                           | 0.37               | 90-125         | 224 | 269 | 264 | 314 | 314 | 354 | 139 |   |
| Driven fan                    | 0.55               | 63-125         | 300 | 345 | 360 | 405 | 405 | 455 | 162 |   |
| Brake + fan                   | 0.75               | 45-125         | 300 | 345 | 360 | 405 | 405 | 455 | 162 |   |
| Double brake                  | 1.1                | 31.5-90        | 323 | 368 | 378 | 423 | 423 | 478 | 176 |   |
| Brake + Driven fan            | 1.5                | 22.4-90        | 348 | 393 | 403 | 448 | 448 | 503 | 176 |   |
| Encorder + Driven fan         | 2.2                | 14-80          | 395 | 435 | 470 | 510 | 510 | 565 | 202 |   |
| Brake + Encorder + Driven fan | 3                  | 9-56           | 395 | 435 | 470 | 510 | 510 | 565 | 202 |   |
|                               | 4                  | 7.1-40         | 459 | 509 | 534 | 584 | 584 | 639 | 220 |   |
|                               | 5.5                | 4-31.5         | 470 | 520 | 550 | 595 | 595 | 650 | 259 |   |
|                               | 7.5                | 4-22.4         | 508 | 558 | 588 | 633 | 633 | 688 | 259 |   |

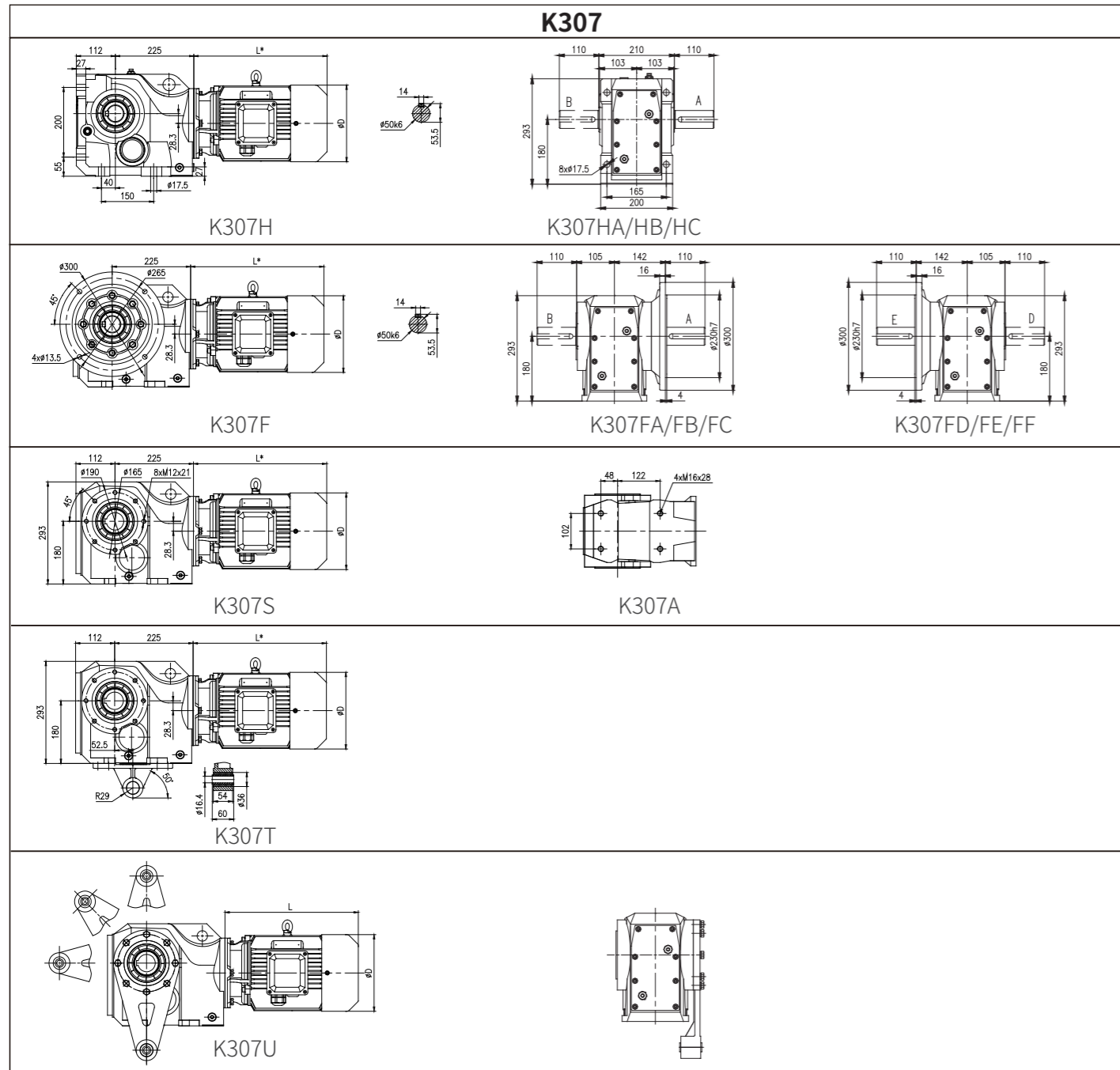
注:渐开线花键空心轴的花键规格DIN5480: Note: Involute spline size DIN5480: m2×z16×α30×D35×9H m2×z16×α30×D35×9H



K306/C.03

MP motor dimension for K306/C.03

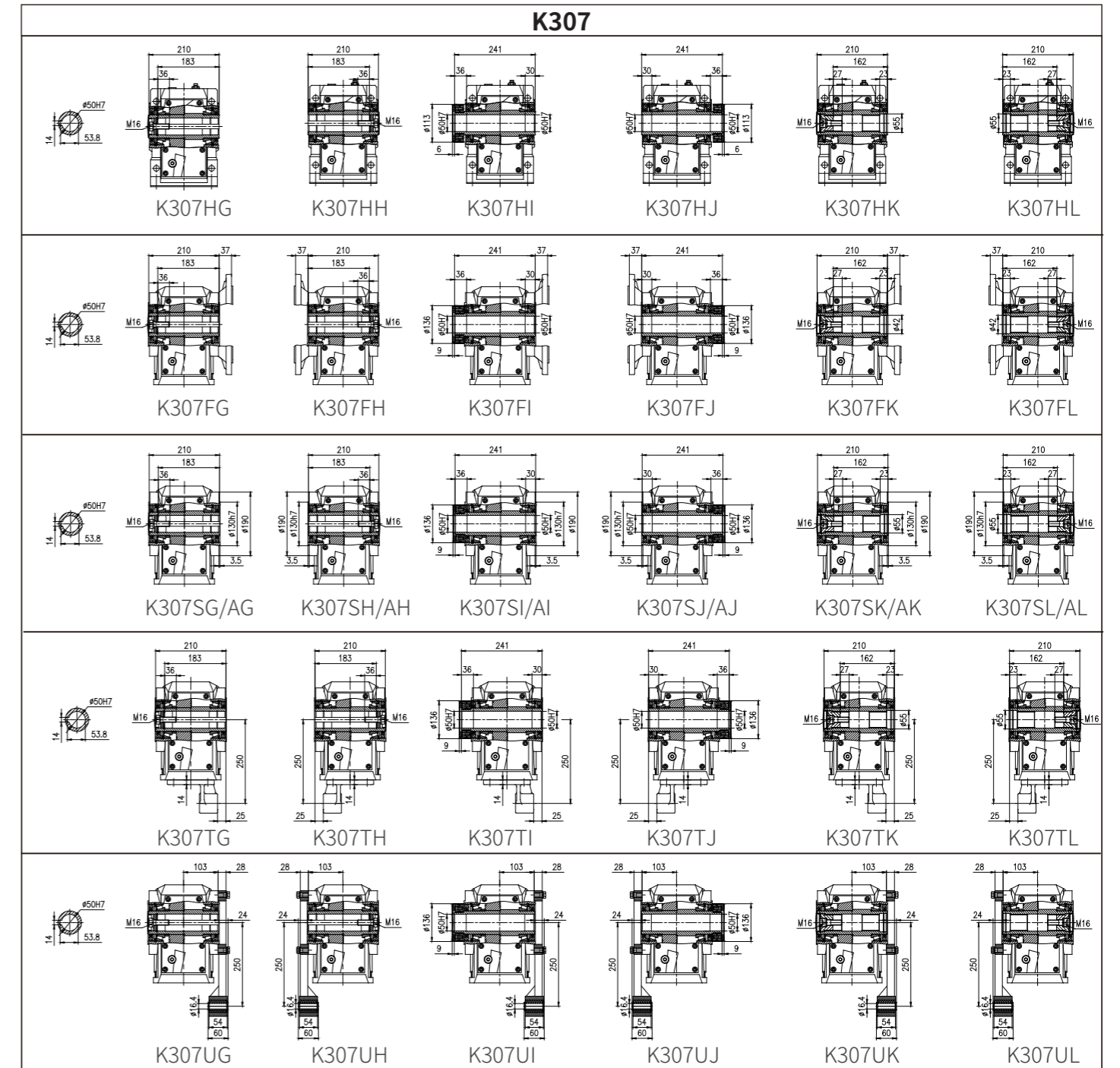
| MP        | P <sub>1</sub> /kW | i <sub>n</sub> | MP  |     |     |     |     |     |     | D |
|-----------|--------------------|----------------|-----|-----|-----|-----|-----|-----|-----|---|
|           |                    |                | L1  | L2  | L3  | L5  | L6  | L7  |     |   |
| K306/C203 | 0.12               | 112-2240       | 206 | /   | 241 | /   | /   | /   | 124 |   |
| K306/C303 | 0.18               | 112-1250       | 206 | /   | 241 | /   | /   | /   | 124 |   |
|           | 0.25               | 112-1000       | 228 | /   | 263 | /   | /   | /   | 139 |   |
|           | 0.37               | 112-710        | 228 | /   | 263 | /   | /   | /   | 139 |   |
|           | 0.55               | 112-450        | 299 | 344 | 359 | 404 | 404 | 454 | 162 |   |
|           | 0.75               | 112-315        | 299 | 344 | 359 | 404 | 404 | 454 | 162 |   |
|           | 1.1                | 112-224        | 322 | 367 | 377 | 422 | 422 | 477 | 176 |   |
|           | 1.5                | 112-160        | 347 | 392 | 402 | 447 | 447 | 502 | 176 |   |
|           | 2.2                | 112            | 394 | 434 | 469 | 509 | 509 | 564 | 202 |   |



MP motor dimension for K307

| P <sub>1</sub> /kW | i <sub>N</sub> | MP  |     |     |     |     |     |     | D |
|--------------------|----------------|-----|-----|-----|-----|-----|-----|-----|---|
|                    |                | L1  | L2  | L3  | L5  | L6  | L7  |     |   |
| 0.37               | 160-180        | 216 | 261 | 256 | 306 | 306 | 346 | 139 |   |
| 0.55               | 112-180        | 292 | 337 | 352 | 397 | 397 | 447 | 162 |   |
| 0.75               | 90-180         | 292 | 337 | 352 | 397 | 397 | 447 | 162 |   |
| 1.1                | 56-112         | 315 | 360 | 370 | 415 | 415 | 470 | 176 |   |
| 1.5                | 40-112         | 340 | 385 | 395 | 440 | 440 | 495 | 176 |   |
| 2.2                | 28-112         | 387 | 427 | 462 | 502 | 502 | 557 | 202 |   |
| 3                  | 20-112         | 387 | 427 | 462 | 502 | 502 | 557 | 202 |   |
| 4                  | 16-80          | 451 | 501 | 526 | 576 | 576 | 631 | 220 |   |
| 5.5                | 9-50           | 459 | 509 | 539 | 584 | 584 | 639 | 259 |   |
| 7.5                | 7.1-40         | 497 | 547 | 577 | 622 | 622 | 677 | 259 |   |
| 11                 | 7.1-28         | 551 | 586 | 646 | 676 | 676 | 726 | 314 |   |
| 15                 | 7.1-20         | 581 | 616 | 676 | 706 | 706 | 756 | 314 |   |

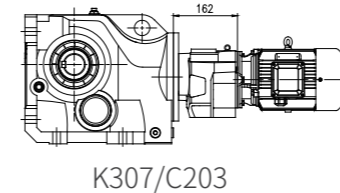
注: 渐开线花键空心轴的花键规格DIN5480: Note: Involute spline size DIN5480: m2×z24×α30×D50×9H



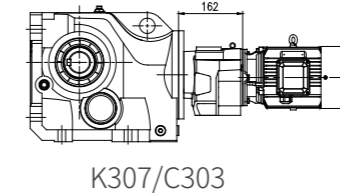
K307/C.03

MP motor dimension for K307/C.03

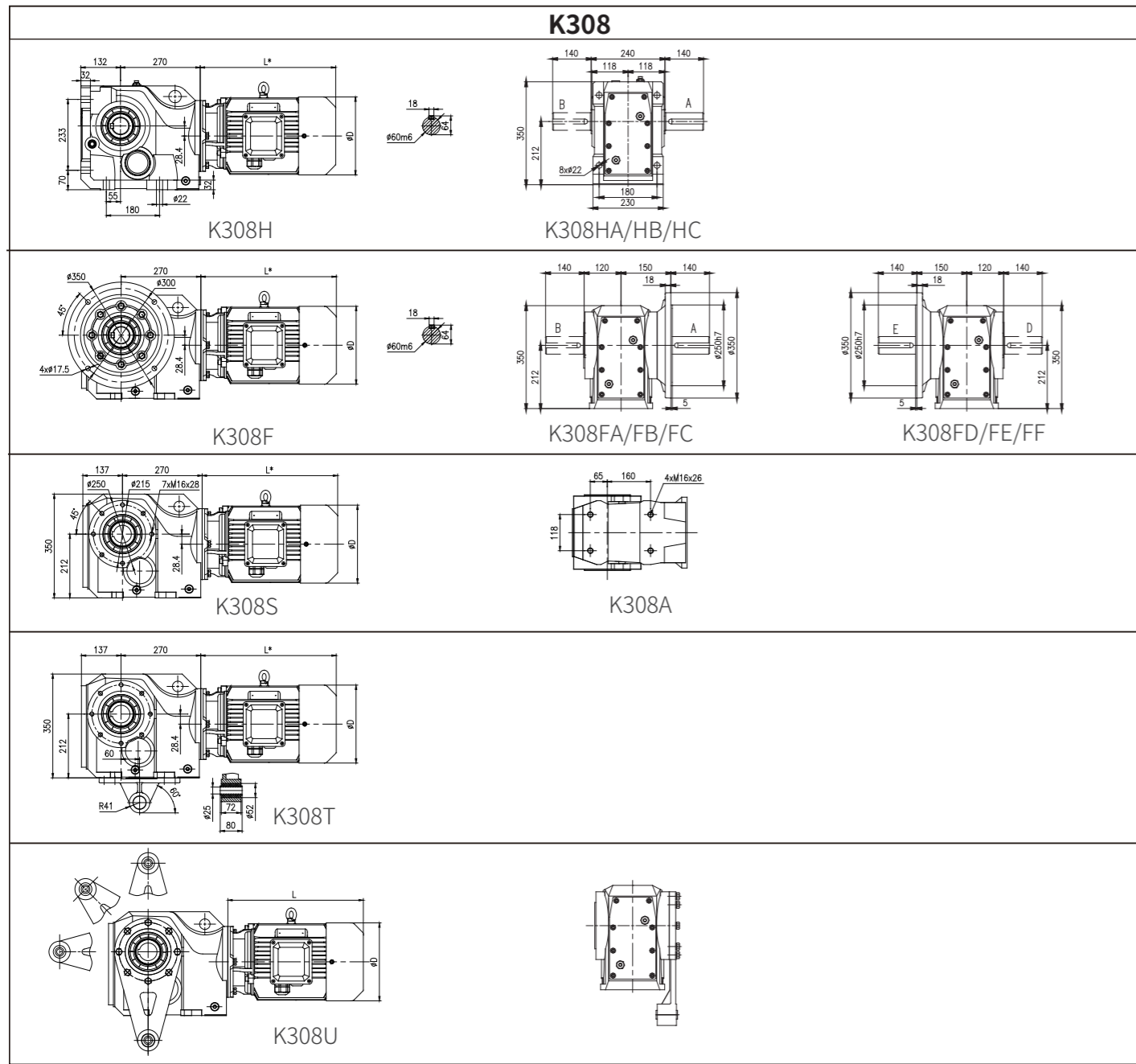
| P <sub>1</sub> /kW | i <sub>N</sub> | MP  |     |     |     |     |     |     | D |
|--------------------|----------------|-----|-----|-----|-----|-----|-----|-----|---|
|                    |                | L1  | L2  | L3  | L5  | L6  | L7  |     |   |
| 0.12               | 112-4000       | 206 | 261 | 241 | 296 | /   | /   | 124 |   |
| 0.18               | 112-2500       | 206 | 261 | 241 | 296 | /   | /   | 124 |   |
| 0.25               | 112-1800       | 223 | 268 | 263 | 313 | 313 | 353 | 139 |   |
| 0.37               | 112-1250       | 223 | 268 | 263 | 313 | 313 | 353 | 139 |   |
| 0.55               | 112-800        | 299 | 344 | 359 | 404 | 404 | 454 | 162 |   |
| 0.75               | 112-630        | 299 | 344 | 359 | 404 | 404 | 454 | 162 |   |
| 1.1                | 112-355        | 322 | 367 | 377 | 422 | 422 | 477 | 176 |   |
| 1.5                | 112-280        | 347 | 392 | 402 | 447 | 447 | 502 | 176 |   |
| 2.2                | 112-200        | 394 | 434 | 469 | 509 | 509 | 564 | 202 |   |
| 3                  | 112-140        | 394 | 434 | 469 | 509 | 509 | 564 | 202 |   |



K307/C203



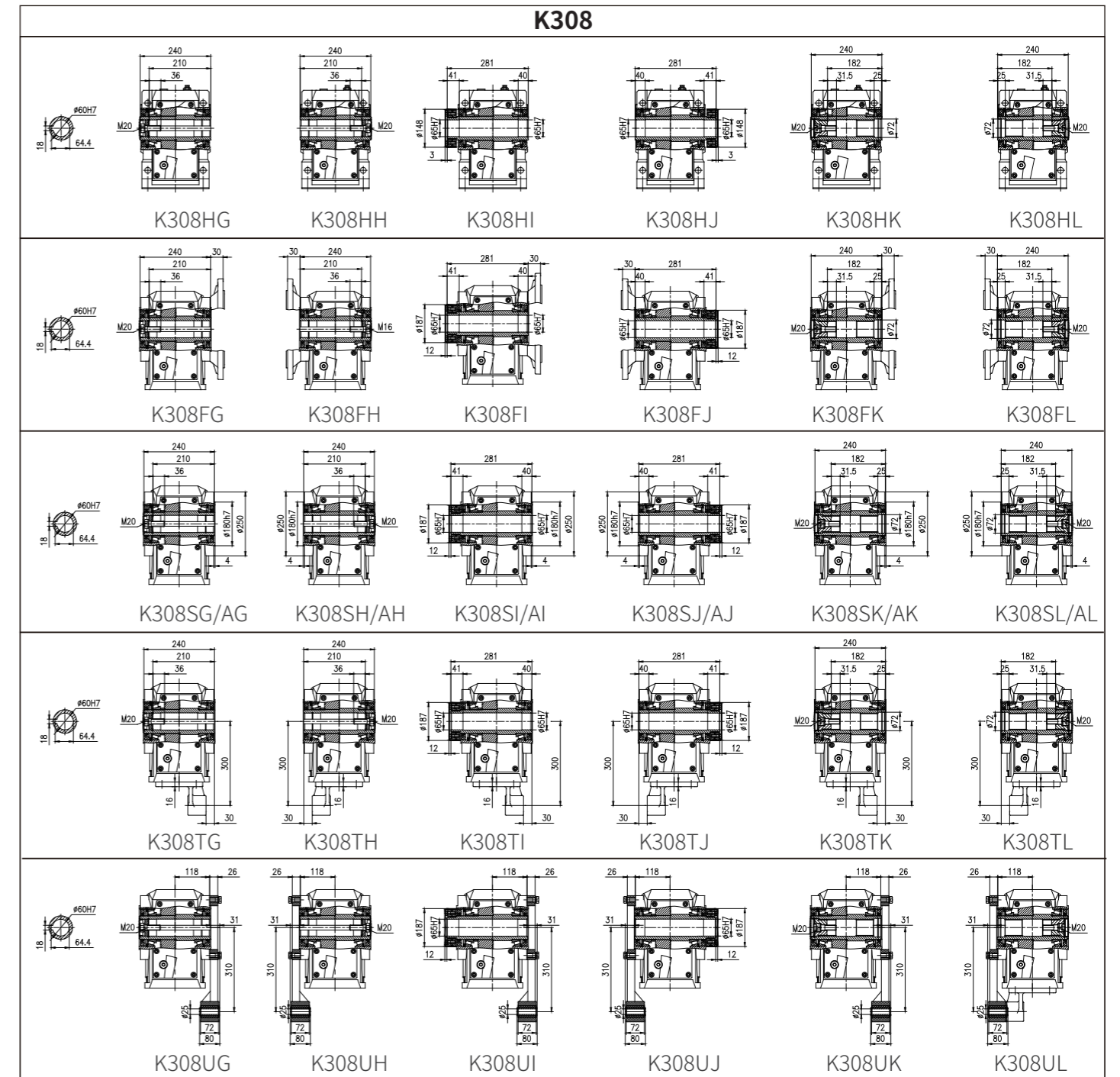
K307/C303



MP motor dimension for K308

| MP   | P <sub>i</sub> /kW | i <sub>N</sub> | MP  |     |     |     |     |     |  | D |
|------|--------------------|----------------|-----|-----|-----|-----|-----|-----|--|---|
|      |                    |                | L1  | L2  | L3  | L5  | L6  | L7  |  |   |
| 0.55 | 160-180            | 283            | 328 | 343 | 388 | 388 | 438 | 162 |  |   |
| 0.75 | 140-180            | 283            | 328 | 343 | 388 | 388 | 438 | 162 |  |   |
| 1.1  | 100-160            | 306            | 351 | 361 | 406 | 406 | 461 | 176 |  |   |
| 1.5  | 71-160             | 331            | 376 | 386 | 431 | 431 | 486 | 176 |  |   |
| 2.2  | 50-160             | 378            | 418 | 453 | 493 | 493 | 548 | 202 |  |   |
| 3    | 35.5-160           | 378            | 418 | 453 | 493 | 493 | 548 | 202 |  |   |
| 4    | 25-140             | 442            | 492 | 517 | 567 | 567 | 622 | 220 |  |   |
| 5.5  | 16-80              | 451            | 501 | 531 | 576 | 576 | 631 | 259 |  |   |
| 7.5  | 8-71               | 489            | 539 | 569 | 614 | 614 | 669 | 259 |  |   |
| 11   | 7.1-50             | 550            | 585 | 645 | 675 | 675 | 725 | 314 |  |   |
| 15   | 7.1-35.5           | 580            | 615 | 675 | 705 | 705 | 755 | 314 |  |   |
| 18.5 | 7.1-28             | 621            | 651 | 731 | 756 | 756 | 801 | 356 |  |   |
| 22   | 7.1-25             | 669            | 699 | 779 | 804 | 804 | 849 | 356 |  |   |

注:渐开线花键空心轴的花键规格DIN5480: Note: Involute spline size DIN5480:  
m2×z31×α30×D65×9H m2×z31×α30×D65×9H



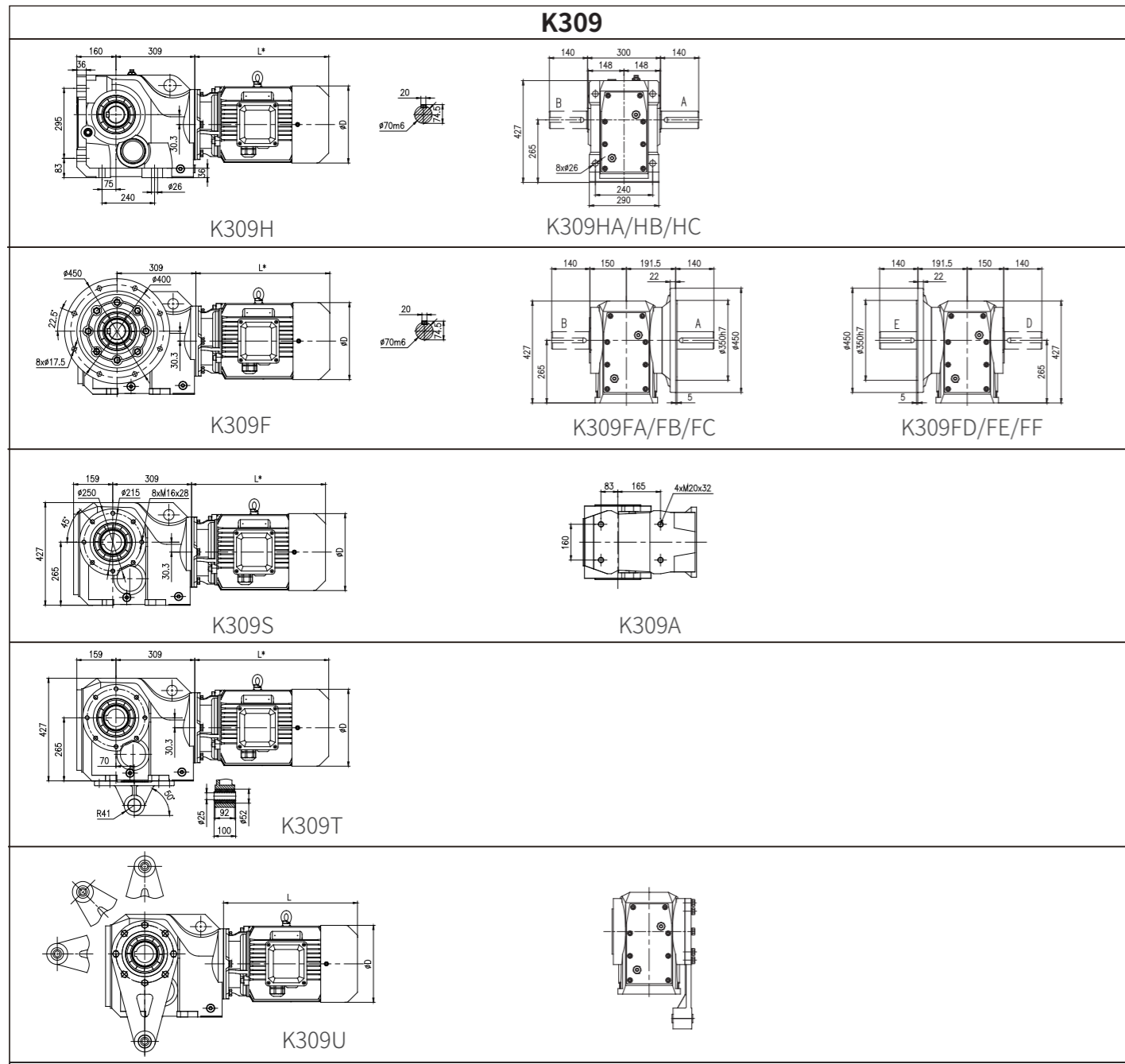
K308/C.05

MP motor dimension for K308/C.05

| MP   | P <sub>i</sub> /kW | i <sub>N</sub> | MP  |     |     |     |     |     |  | D |
|------|--------------------|----------------|-----|-----|-----|-----|-----|-----|--|---|
|      |                    |                | L1  | L2  | L3  | L5  | L6  | L7  |  |   |
| 0.12 | 112-6300           | 206            | 261 | 241 | 296 | /   | /   | 124 |  |   |
| 0.18 | 112-4000           | 206            | 261 | 241 | 296 | /   | /   | 124 |  |   |
| 0.25 | 112-3150           | 223            | 268 | 263 | 313 | 313 | 353 | 139 |  |   |
| 0.37 | 112-2000           | 223            | 268 | 263 | 313 | 313 | 353 | 139 |  |   |
| 0.55 | 112-1250           | 299            | 344 | 359 | 404 | 404 | 454 | 162 |  |   |
| 0.75 | 112-1000           | 299            | 344 | 359 | 404 | 404 | 454 | 162 |  |   |
| 1.1  | 112-355            | 322            | 367 | 377 | 422 | 422 | 477 | 176 |  |   |
| 1.5  | 112-355            | 347            | 392 | 402 | 447 | 447 | 502 | 176 |  |   |
| 2.2  | 112-355            | 394            | 434 | 469 | 509 | 509 | 564 | 202 |  |   |
| 3    | 112-250            | 394            | 434 | 469 | 509 | 509 | 564 | 202 |  |   |

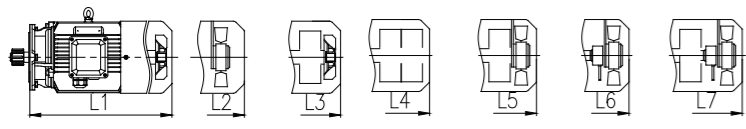
K308/C205

K308/C305

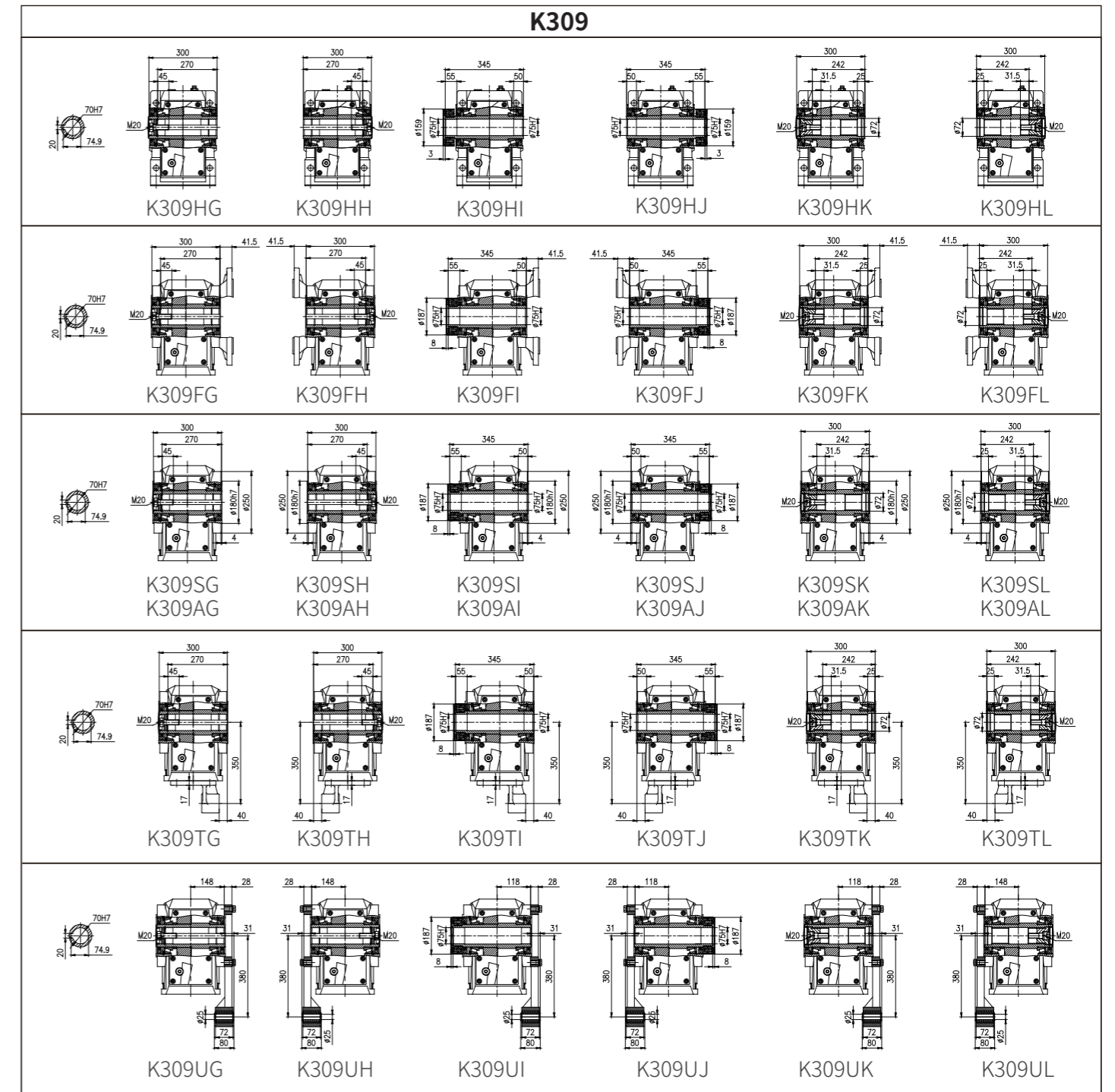


MP motor dimension for K309

| P <sub>1</sub> /kW | i <sub>N</sub> | MP  |     |     |     |     |     |     | D |
|--------------------|----------------|-----|-----|-----|-----|-----|-----|-----|---|
|                    |                | L1  | L2  | L3  | L5  | L6  | L7  |     |   |
| 1.1                | 140-180        | 303 | 348 | 358 | 403 | 403 | 458 | 176 |   |
| 1.5                | 112-180        | 328 | 373 | 383 | 428 | 428 | 483 | 176 |   |
| 2.2                | 90-180         | 374 | 414 | 449 | 489 | 489 | 544 | 202 |   |
| 3                  | 63-180         | 374 | 414 | 449 | 489 | 489 | 544 | 202 |   |
| 4                  | 45-180         | 438 | 488 | 513 | 563 | 563 | 618 | 220 |   |
| 5.5                | 35.5-112       | 450 | 500 | 530 | 575 | 575 | 630 | 259 |   |
| 7.5                | 25-112         | 488 | 538 | 568 | 613 | 613 | 668 | 259 |   |
| 11                 | 16-90          | 544 | 579 | 639 | 669 | 669 | 719 | 314 |   |
| 15                 | 9-63           | 574 | 609 | 669 | 699 | 699 | 749 | 314 |   |
| 18.5               | 7.1-50         | 615 | 645 | 725 | 750 | 750 | 795 | 356 |   |
| 22                 | 7.1-40         | 663 | 693 | 773 | 798 | 798 | 843 | 356 |   |
| 30                 | 7.1-28         | 705 | 710 | 820 | 825 | 825 | 870 | 398 |   |

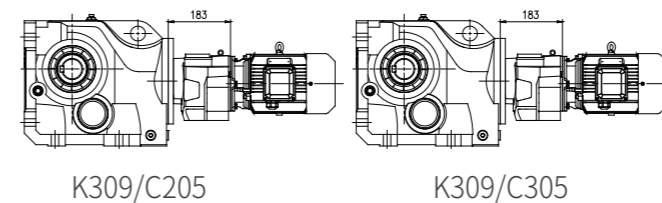


注:渐开线花键空心轴的花键规格DIN5480: Note: Involute spline size DIN5480: m2×z34×a30×D70×9H

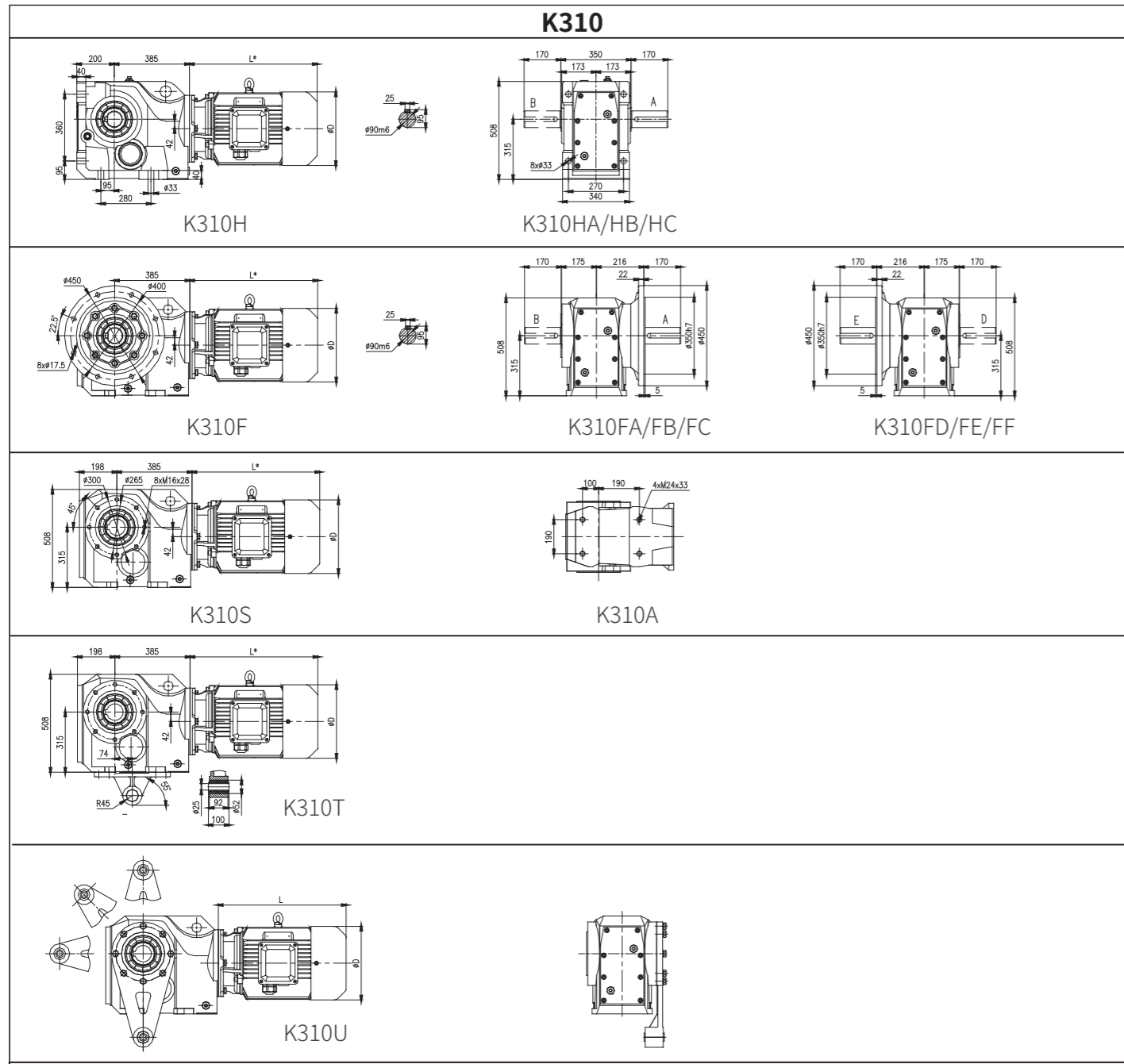


K309/C.05

MP motor dimension for K309/C.05



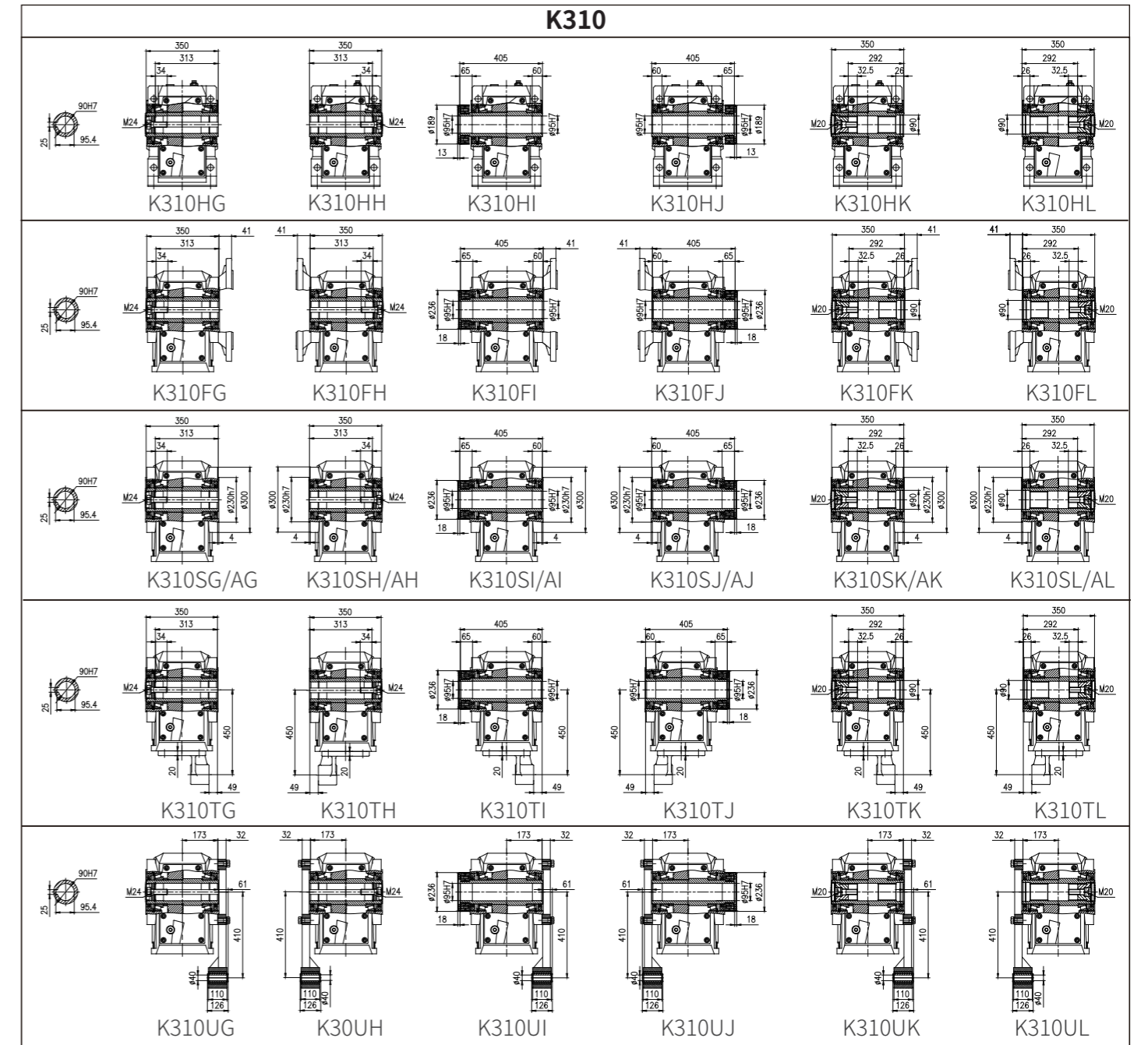
| P <sub>1</sub> /kW | i <sub>N</sub> | MP  |     |     |     |     |     |     | D |
|--------------------|----------------|-----|-----|-----|-----|-----|-----|-----|---|
|                    |                | L1  | L2  | L3  | L5  | L6  | L7  |     |   |
| 0.12               | 112-11200      | 207 | 262 | 242 | 297 | /   | /   | 124 |   |
| 0.18               | 112-7100       | 207 | 262 | 242 | 297 | /   | /   | 124 |   |
| 0.25               | 112-5000       | 224 | 269 | 264 | 314 | 314 | 354 | 139 |   |
| 0.37               | 112-3550       | 224 | 269 | 264 | 314 | 314 | 354 | 139 |   |
| 0.55               | 112-2240       | 300 | 345 | 360 | 405 | 405 | 455 | 162 |   |
| 0.75               | 112-1600       | 300 | 345 | 360 | 405 | 405 | 455 | 162 |   |
| 1.1                | 112-1250       | 323 | 368 | 378 | 423 | 423 | 478 | 176 |   |
| 1.5                | 112-900        | 348 | 393 | 403 | 448 | 448 | 503 | 176 |   |
| 2.2                | 112-630        | 395 | 435 | 470 | 510 | 510 | 565 | 202 |   |
| 3                  | 112-400        | 395 | 435 | 470 | 510 | 510 | 565 | 202 |   |
| 4                  | 112-315        | 459 | 509 | 534 | 584 | 584 | 639 | 220 |   |



MP motor dimension for K310

| MP | P <sub>1</sub> /kW | i <sub>N</sub> | MP  |     |     |     |     |     |     | D |
|----|--------------------|----------------|-----|-----|-----|-----|-----|-----|-----|---|
|    |                    |                | L1  | L2  | L3  | L5  | L6  | L7  |     |   |
|    | 2.2                | 140-180        | 370 | 410 | 445 | 485 | 485 | 540 | 202 |   |
|    | 3                  | 112-180        | 370 | 410 | 445 | 485 | 485 | 540 | 202 |   |
|    | 4                  | 80-180         | 434 | 484 | 509 | 559 | 559 | 614 | 220 |   |
|    | 5.5                | 56-125         | 439 | 489 | 519 | 564 | 564 | 619 | 259 |   |
|    | 7.5                | 40-125         | 477 | 527 | 557 | 602 | 602 | 657 | 259 |   |
|    | 11                 | 28-125         | 533 | 568 | 628 | 658 | 658 | 708 | 314 |   |
|    | 15                 | 20-112         | 563 | 598 | 658 | 688 | 688 | 738 | 314 |   |
|    | 18.5               | 16-90          | 604 | 634 | 714 | 739 | 739 | 784 | 356 |   |
|    | 22                 | 12.5-80        | 652 | 682 | 762 | 787 | 787 | 832 | 356 |   |
|    | 30                 | 8-50           | 705 | 710 | 820 | 825 | 825 | 870 | 398 |   |
|    | 37                 | 8-40           | 746 | 776 | 861 | 891 | 891 | 936 | 446 |   |
|    | 45                 | 8-35.5         | 746 | 776 | 861 | 891 | 891 | 936 | 446 |   |

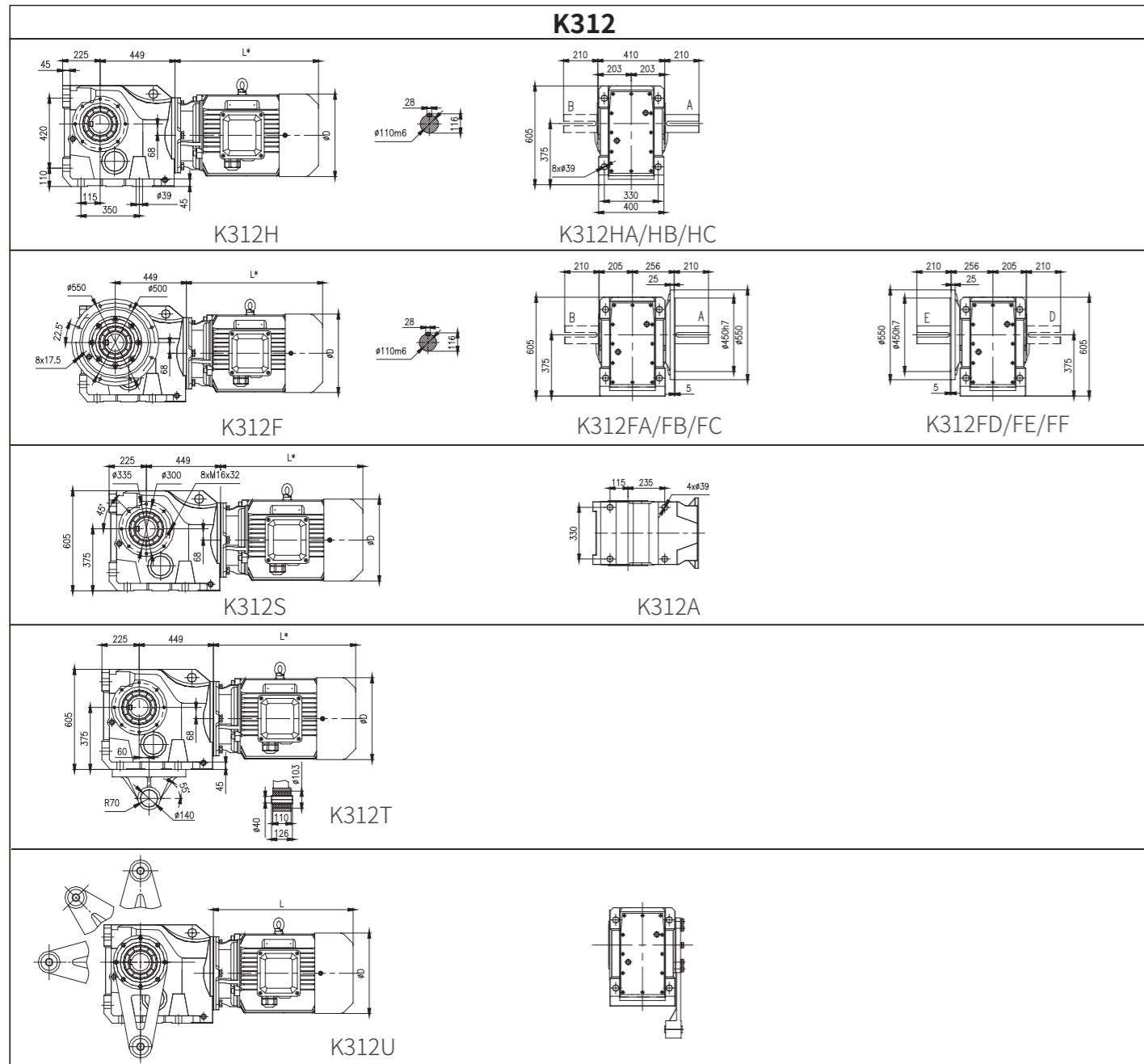
注: 渐开线花键空心轴的花键规格DIN5480: Note: Involute spline size DIN5480: m3×z27×α30×D85×9H



K310/C.07

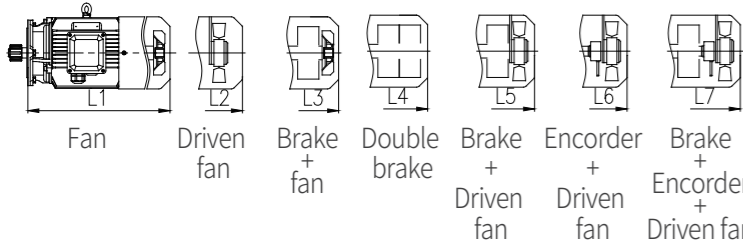
MP motor dimension for K310/C.07

| MP | P <sub>1</sub> /kW | i <sub>N</sub> | MP  |     |     |     |     |     |     | D |
|----|--------------------|----------------|-----|-----|-----|-----|-----|-----|-----|---|
|    |                    |                | L1  | L2  | L3  | L5  | L6  | L7  |     |   |
|    | 0.12               | 112-14000      | 207 | 262 | 242 | 297 | /   | /   | 124 |   |
|    | 0.18               | 112-12500      | 207 | 262 | 242 | 297 | /   | /   | 124 |   |
|    | 0.25               | 112-9000       | 224 | 269 | 264 | 314 | 314 | 354 | 139 |   |
|    | 0.37               | 112-5600       | 224 | 269 | 264 | 314 | 314 | 354 | 139 |   |
|    | 0.55               | 112-4000       | 300 | 345 | 360 | 405 | 405 | 455 | 162 |   |
|    | 0.75               | 112-2800       | 300 | 345 | 360 | 405 | 405 | 455 | 162 |   |
|    | 1.1                | 112-1800       | 323 | 368 | 378 | 423 | 423 | 478 | 176 |   |
|    | 1.5                | 112-1400       | 348 | 393 | 403 | 448 | 448 | 503 | 176 |   |
|    | 2.2                | 112-1000       | 395 | 435 | 470 | 510 | 510 | 565 | 202 |   |
|    | 3                  | 112-710        | 395 | 435 | 470 | 510 | 510 | 565 | 202 |   |
|    | 4                  | 112-560        | 459 | 509 | 534 | 584 | 584 | 639 | 220 |   |
|    | 5.5                | 112-250        | 459 | 509 | 539 | 584 | 584 | 639 | 259 |   |
|    | 7.5                | 112-250        | 497 | 547 | 577 | 622 | 622 | 677 | 259 |   |
|    | 11                 | 112-200        | 551 | 586 | 646 | 676 | 676 | 726 | 314 |   |
|    | 15                 | 112-140        | 581 | 616 | 676 | 706 | 706 | 756 | 314 |   |

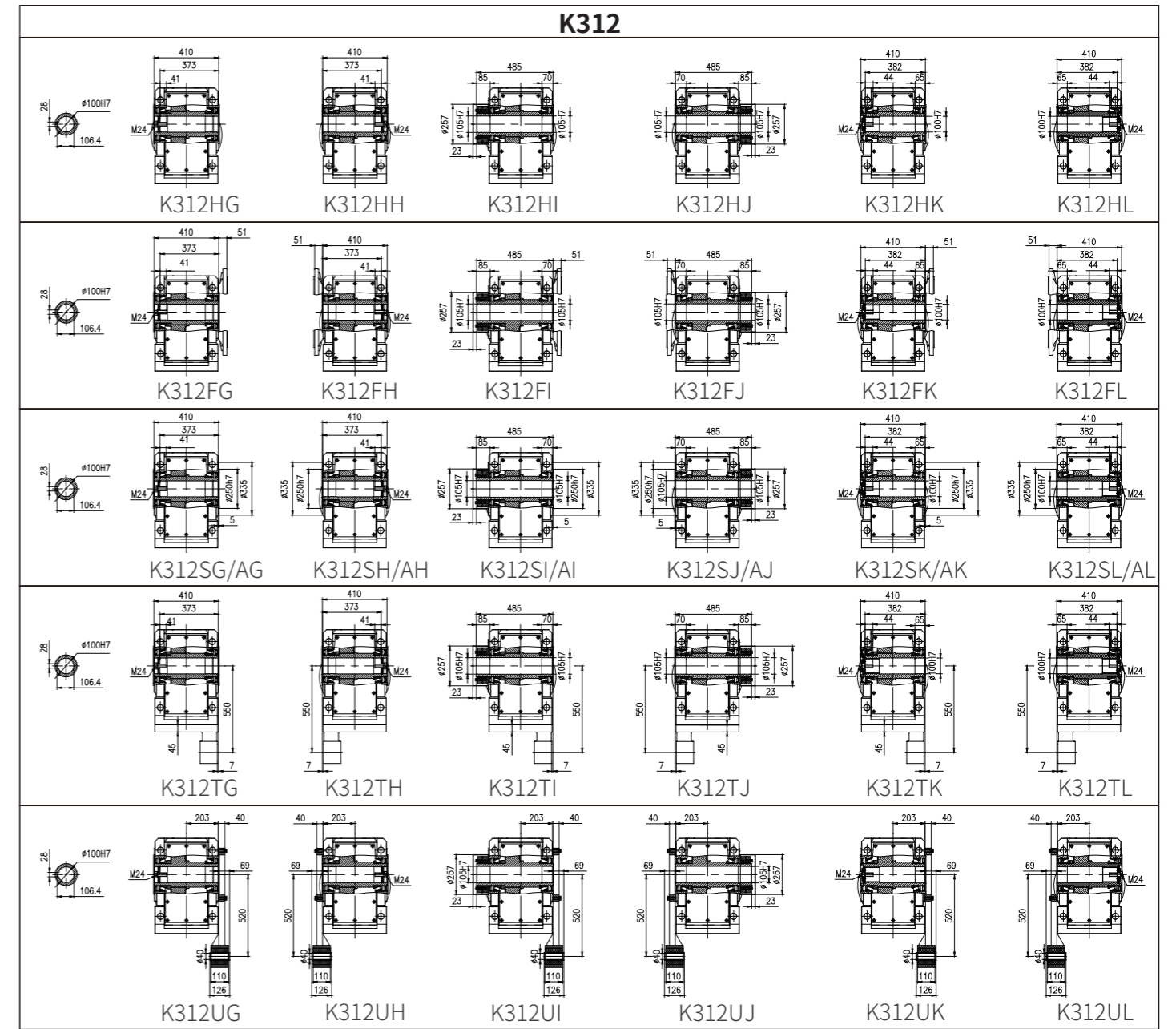


MP motor dimension for K312

| P <sub>1</sub> /kW | i <sub>N</sub> | MP  |     |      |      |      |      |     | D |
|--------------------|----------------|-----|-----|------|------|------|------|-----|---|
|                    |                | L1  | L2  | L3   | L5   | L6   | L7   |     |   |
| 4                  | 140-180        | 423 | 473 | 498  | 548  | 548  | 603  | 220 |   |
| 5.5                | 100-140        | 429 | 479 | 509  | 554  | 554  | 609  | 259 |   |
| 7.5                | 71-140         | 467 | 517 | 547  | 592  | 592  | 647  | 259 |   |
| 11                 | 45-140         | 517 | 552 | 612  | 642  | 642  | 692  | 314 |   |
| 15                 | 35.5-140       | 547 | 582 | 642  | 672  | 672  | 722  | 314 |   |
| 18.5               | 28-140         | 588 | 618 | 698  | 723  | 723  | 768  | 356 |   |
| 22                 | 25-112         | 636 | 666 | 746  | 771  | 771  | 816  | 356 |   |
| 30                 | 16-90          | 684 | 689 | 799  | 804  | 804  | 849  | 398 |   |
| 37                 | 9-71           | 725 | 755 | 840  | 870  | 870  | 915  | 446 |   |
| 45                 | 7.1-56         | 725 | 755 | 840  | 870  | 870  | 915  | 446 |   |
| 55                 | 7.1-45         | 841 | 856 | 981  | 991  | 991  | 1036 | 485 |   |
| 75                 | 7.1-35.5       | 886 | 916 | 1026 | 1061 | 1061 | 1106 | 547 |   |
| 90                 | 7.1-28         | 937 | 967 | 1077 | 1112 | 1112 | 1157 | 547 |   |



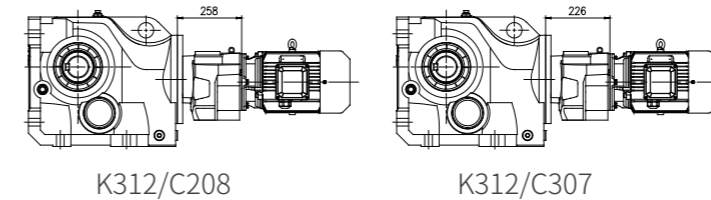
注:渐开线花键空心轴的花键规格DIN5480: Note: Involute spline size DIN5480: m3×z30×α30×D95×9H

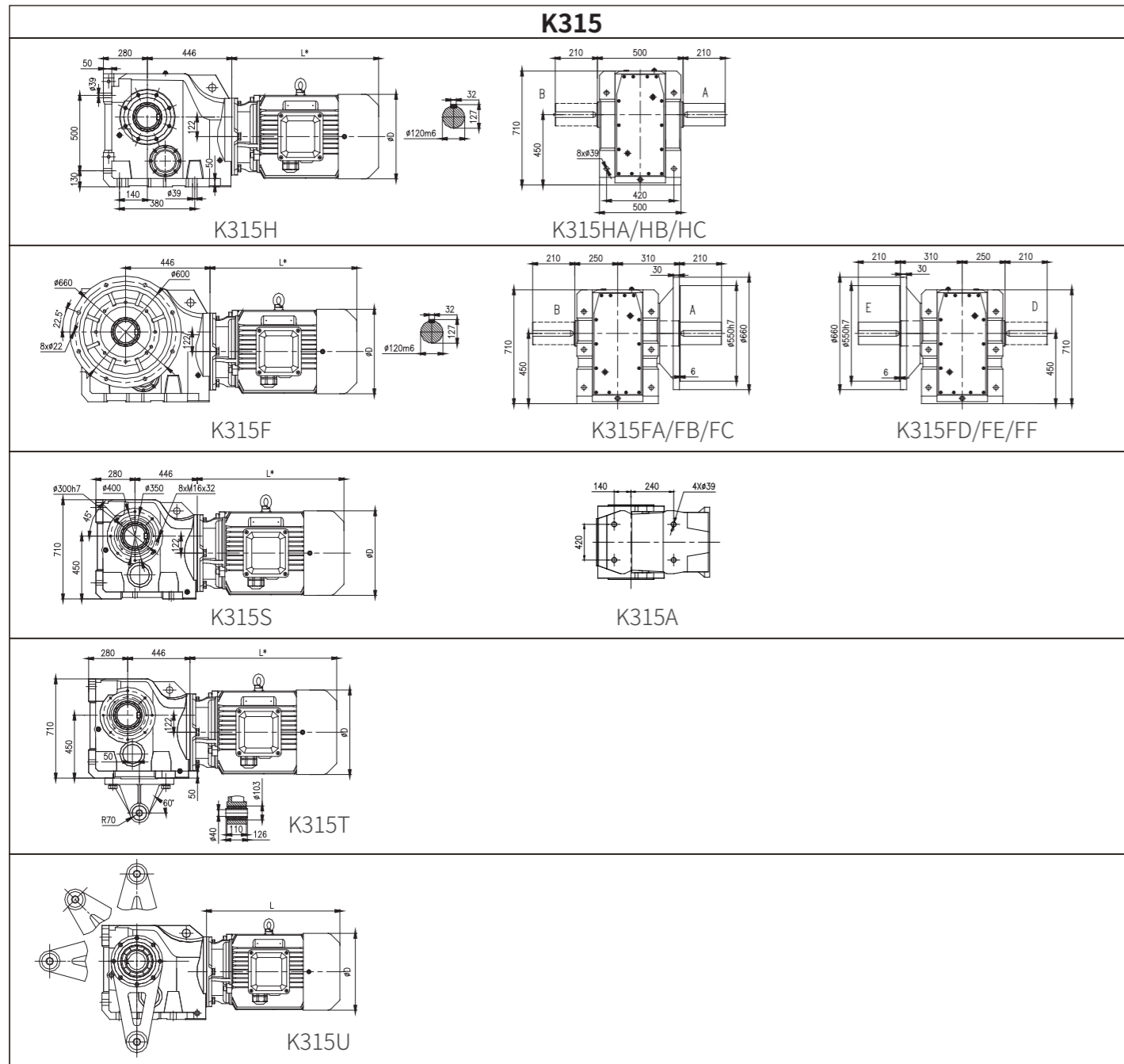


K312/C...

MP motor dimension for K312/C...

| P <sub>1</sub> /kW | i <sub>N</sub> | MP  |     |     |     |     |     |     | D |
|--------------------|----------------|-----|-----|-----|-----|-----|-----|-----|---|
|                    |                | L1  | L2  | L3  | L5  | L6  | L7  |     |   |
| 0.12               | 800-14000      | 199 | 254 | 234 | 289 | /   | /   | 124 |   |
| 0.18               | 800-14000      | 199 | 254 | 234 | 289 | /   | /   | 124 |   |
| 0.25               | 800-14000      | 216 | 261 | 256 | 306 | 306 | 346 | 139 |   |
| 0.37               | 800-9000       | 216 | 261 | 256 | 306 | 306 | 346 | 139 |   |
| 0.55               | 450-7100       | 292 | 337 | 352 | 397 | 397 | 447 | 162 |   |
| 0.75               | 450-5000       | 292 | 337 | 352 | 397 | 397 | 447 | 162 |   |
| 1.1                | 112-3150       | 315 | 360 | 370 | 415 | 415 | 470 | 176 |   |
| 1.5                | 112-2240       | 340 | 385 | 395 | 440 | 440 | 495 | 176 |   |
| 2.2                | 112-1600       | 387 | 427 | 462 | 502 | 502 | 557 | 202 |   |
| 3                  | 112-1120       | 387 | 427 | 462 | 502 | 502 | 557 | 202 |   |
| 4                  | 112-900        | 451 | 501 | 526 | 576 | 576 | 631 | 220 |   |
| 5.5                | 112-400        | 451 | 501 | 531 | 576 | 576 | 631 | 259 |   |
| 7.5                | 112-400        | 489 | 539 | 569 | 614 | 614 | 669 | 259 |   |
| 11                 | 112-315        | 550 | 585 | 645 | 675 | 675 | 725 | 314 |   |
| 15                 | 112-250        | 580 | 615 | 675 | 705 | 705 | 755 | 314 |   |
| 18.5               | 112-200        | 621 | 651 | 731 | 756 | 756 | 801 | 356 |   |
| 22                 | 112-160        | 669 | 699 | 779 | 804 | 804 | 849 | 356 |   |

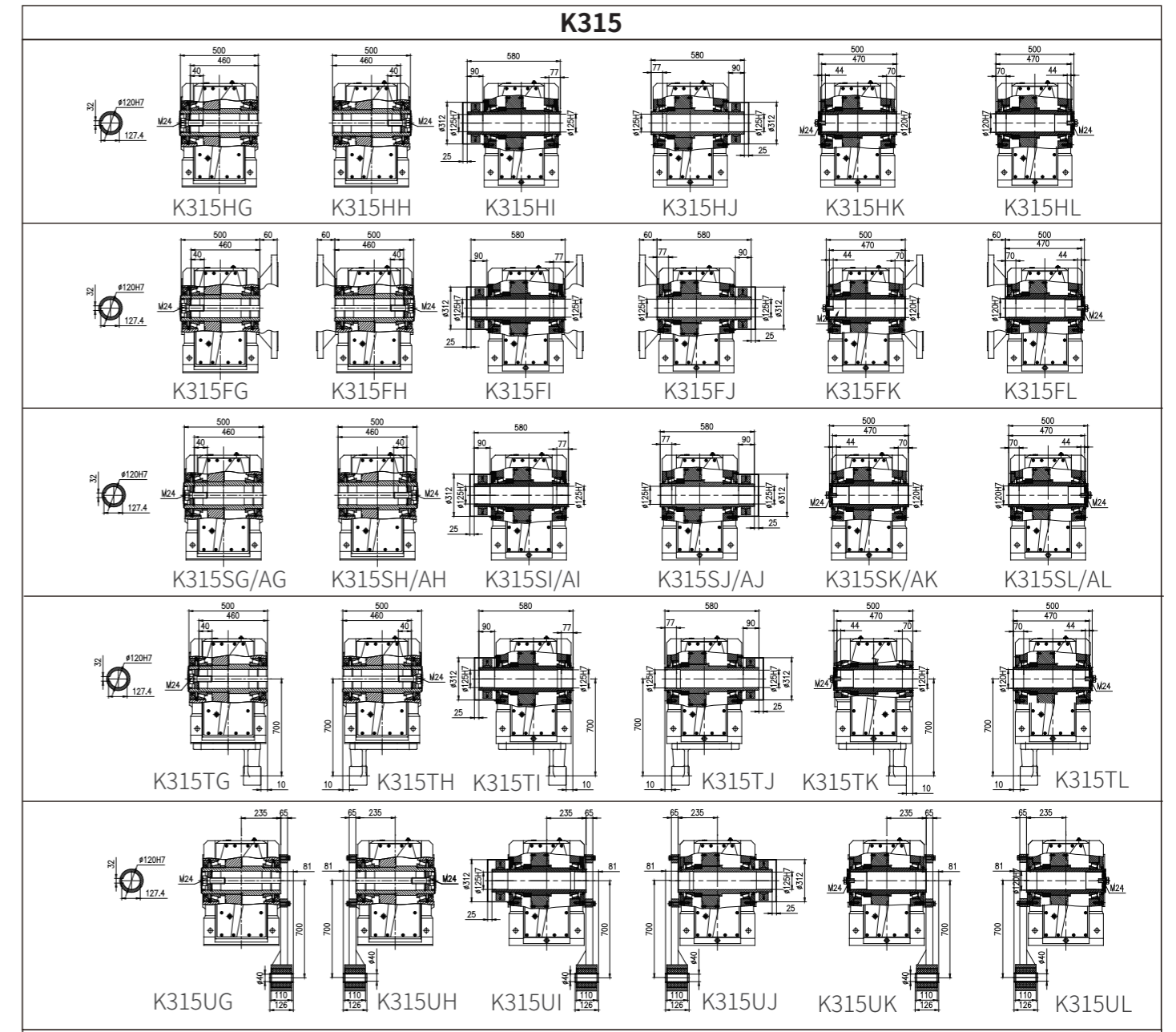




MP motor dimension for K315

| MP                            | P <sub>i</sub> /kW | i <sub>N</sub> | MP  |     |      |      |      |      |     | D |
|-------------------------------|--------------------|----------------|-----|-----|------|------|------|------|-----|---|
|                               |                    |                | L1  | L2  | L3   | L5   | L6   | L7   |     |   |
| Fan                           | 7.5                | 100-140        | 467 | 517 | 547  | 592  | 647  | 647  | 259 |   |
| Driven fan                    | 11                 | 71-140         | 502 | 537 | 597  | 627  | 677  | 677  | 314 |   |
| Brake + fan                   | 15                 | 50-140         | 532 | 567 | 627  | 657  | 707  | 707  | 314 |   |
| Double brake                  | 18.5               | 40-140         | 573 | 603 | 683  | 708  | 753  | 753  | 356 |   |
| Brake + Driven fan            | 22                 | 31.5-140       | 621 | 651 | 731  | 756  | 801  | 801  | 356 |   |
| Encorder + Driven fan         | 30                 | 25-112         | 674 | 679 | 789  | 794  | 839  | 839  | 398 |   |
| Brake + Encorder + Driven fan | 37                 | 20-100         | 715 | 745 | 830  | 860  | 905  | 905  | 446 |   |
|                               | 45                 | 16-80          | 715 | 745 | 830  | 860  | 905  | 905  | 446 |   |
|                               | 55                 | 12.5-71        | 831 | 846 | 971  | 981  | 1026 | 1026 | 485 |   |
|                               | 75                 | 10-50          | 876 | 906 | 1016 | 1051 | 1096 | 1096 | 547 |   |
|                               | 90                 | 10-40          | 927 | 957 | 1067 | 1102 | 1147 | 1147 | 547 |   |

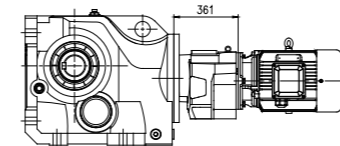
注: 渐开线花键空心轴的花键规格DIN5480: Note: Involute spline size DIN5480: m3×z38×α30×D120×9H



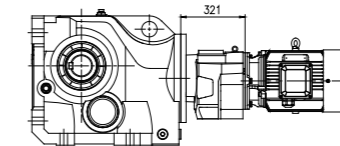
K315/C...

MP motor dimension for K315/C...

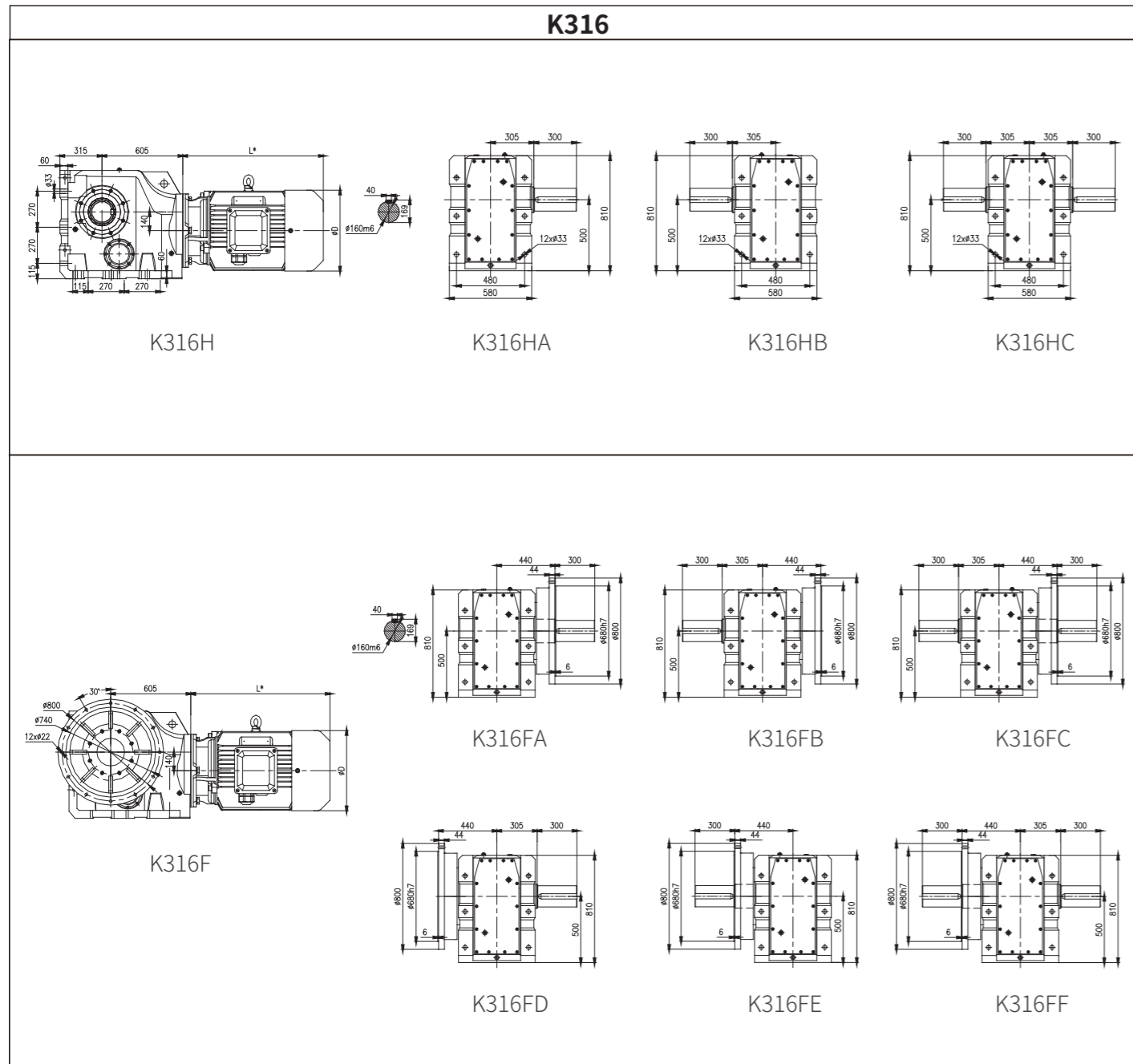
| P <sub>i</sub> /kW | i <sub>N</sub> | MP  |     |     |     |     |     |     | D |
|--------------------|----------------|-----|-----|-----|-----|-----|-----|-----|---|
|                    |                | L1  | L2  | L3  | L5  | L6  | L7  |     |   |
| 0.12               | 800-14000      | 199 | 254 | 234 | 289 | /   | /   | 124 |   |
| 0.18               | 800-14000      | 199 | 254 | 234 | 289 | /   | /   | 124 |   |
| 0.25               | 800-14000      | 216 | 261 | 256 | 306 | 306 | 346 | 139 |   |
| 0.37               | 800-14000      | 216 | 261 | 256 | 306 | 306 | 346 | 139 |   |
| 0.55               | 450-900        | 292 | 337 | 352 | 397 | 397 | 447 | 162 |   |
| 0.75               | 450-7100       | 292 | 337 | 352 | 397 | 397 | 447 | 162 |   |
| 1.1                | 112-4500       | 315 | 360 | 370 | 415 | 415 | 470 | 176 |   |
| 1.5                | 112-3150       | 340 | 385 | 395 | 440 | 440 | 495 | 176 |   |
| 2.2                | 112-2240       | 387 | 427 | 462 | 502 | 502 | 557 | 202 |   |
| 3                  | 112-1800       | 387 | 427 | 462 | 502 | 502 | 557 | 202 |   |
| 4                  | 112-1250       | 451 | 501 | 526 | 576 | 576 | 631 | 220 |   |
| 5.5                | 112-400        | 451 | 501 | 531 | 576 | 576 | 631 | 259 |   |
| 7.5                | 112-400        | 489 | 539 | 569 | 614 | 614 | 669 | 259 |   |
| 11                 | 112-400        | 550 | 585 | 645 | 675 | 675 | 725 | 314 |   |
| 15                 | 112-315        | 580 | 615 | 675 | 705 | 705 | 755 | 314 |   |
| 18.5               | 112-280        | 621 | 651 | 731 | 756 | 756 | 801 | 356 |   |
| 22                 | 112-224        | 669 | 699 | 779 | 804 | 804 | 849 | 356 |   |



K315/C210



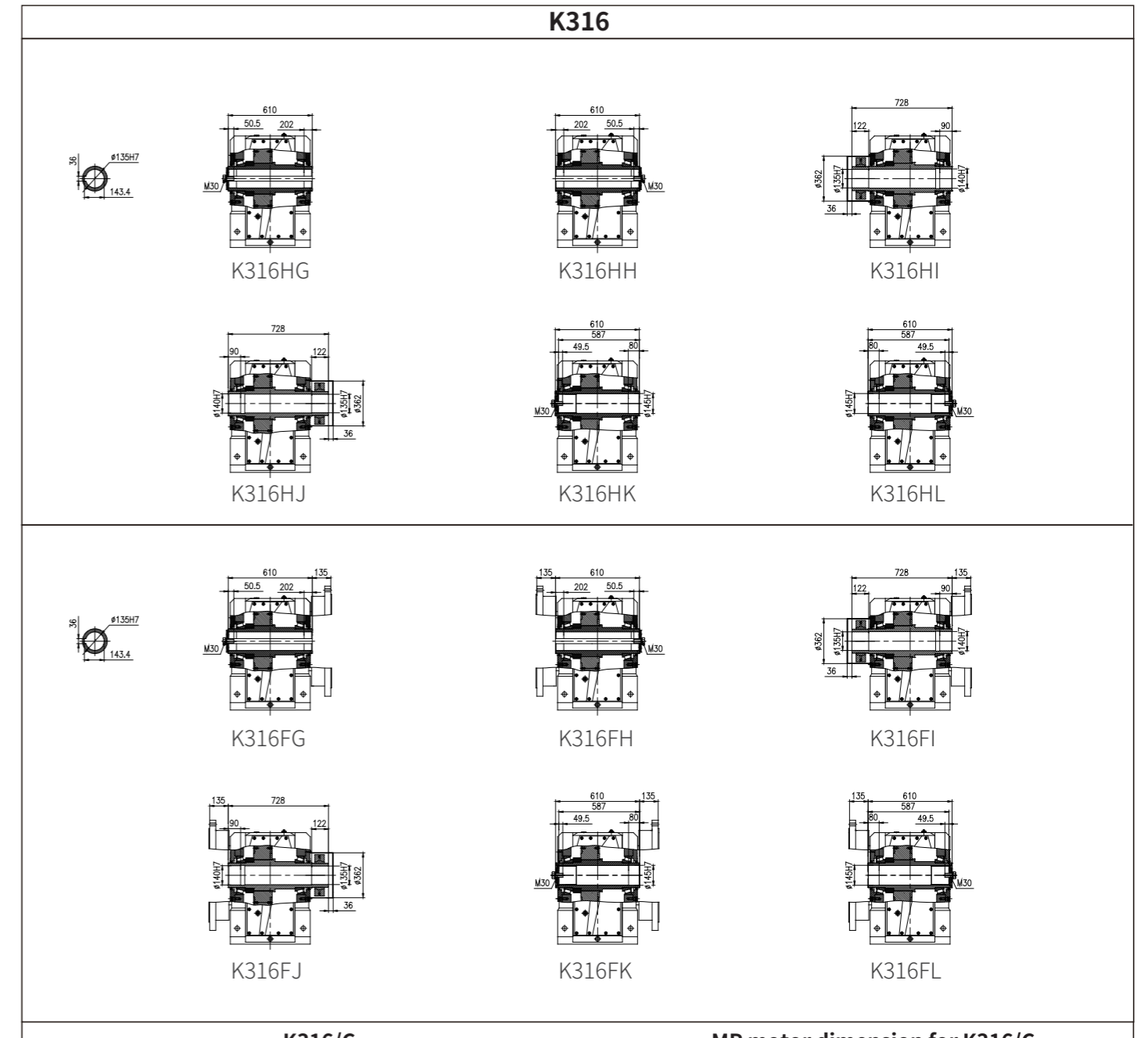
K315/C309



**MP motor dimension for K316**

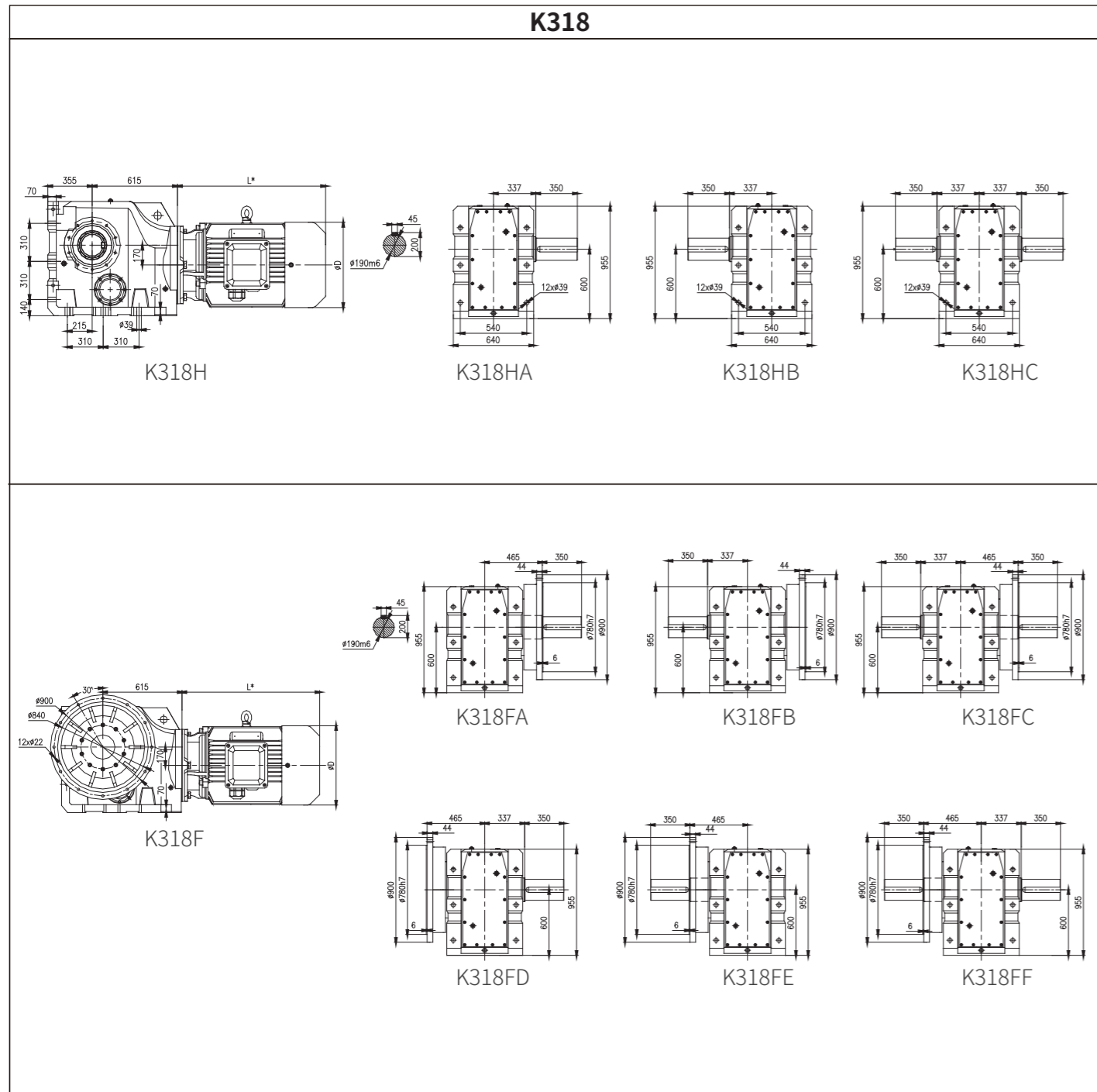
|  | P <sub>1</sub> /kW | i <sub>N</sub> | MP  |     |      |      |      |      |     | D |
|--|--------------------|----------------|-----|-----|------|------|------|------|-----|---|
|  |                    |                | L1  | L2  | L3   | L5   | L6   | L7   |     |   |
|  | 11                 | 125-160        | 502 | 537 | 597  | 627  | 627  | 677  | 314 |   |
|  | 15                 | 90-160         | 532 | 567 | 627  | 657  | 657  | 707  | 314 |   |
|  | 18.5               | 80-160         | 573 | 603 | 683  | 708  | 708  | 753  | 356 |   |
|  | 22                 | 63-160         | 621 | 651 | 731  | 756  | 756  | 801  | 356 |   |
|  | 30                 | 45-112         | 674 | 679 | 789  | 794  | 794  | 839  | 398 |   |
|  | 37                 | 40-112         | 715 | 745 | 830  | 860  | 860  | 905  | 446 |   |
|  | 45                 | 31.5-112       | 715 | 745 | 830  | 860  | 860  | 905  | 446 |   |
|  | 55                 | 25-112         | 831 | 846 | 971  | 981  | 981  | 1026 | 485 |   |
|  | 75                 | 18-90          | 876 | 906 | 1016 | 1051 | 1051 | 1026 | 547 |   |
|  | 90                 | 14-80          | 927 | 957 | 1067 | 1102 | 1102 | 1147 | 547 |   |

注: 渐开线花键空心的花键规格DIN5480: m3×z45×α30×D140×9H      Note: Involute spline size DIN5480: m3×z45×α30×D140×9H



**K316/C...      MP motor dimension for K316/C...**

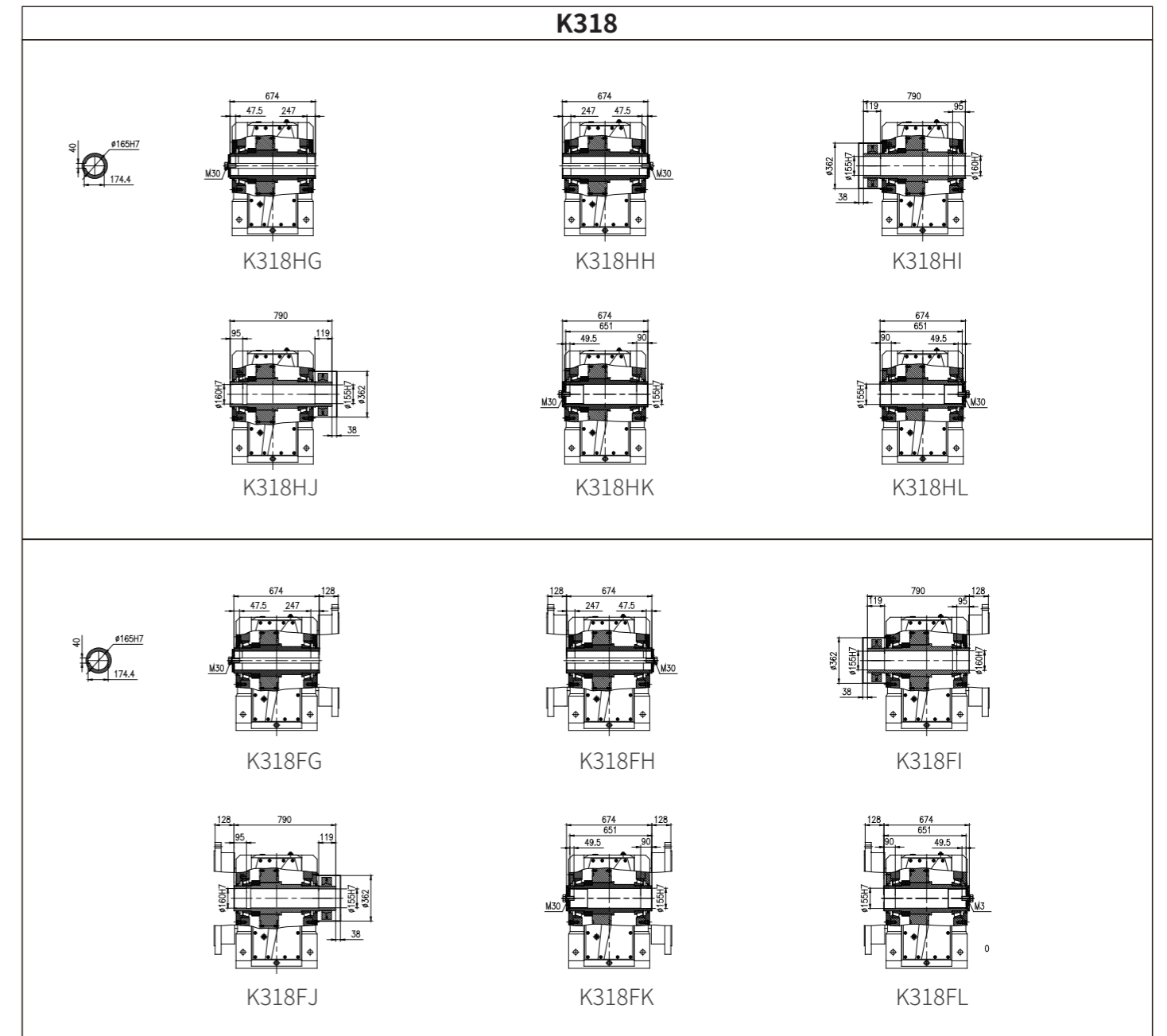
|  | P <sub>1</sub> /kW | i <sub>N</sub> | MP  |     |     |     |     |     |     | D |
|--|--------------------|----------------|-----|-----|-----|-----|-----|-----|-----|---|
|  |                    |                | L1  | L2  | L3  | L5  | L6  | L7  |     |   |
|  | 0.55               | 1800-14000     | 283 | 328 | 343 | 388 | 388 | 438 | 162 |   |
|  | 0.75               | 1800-12500     | 283 | 328 | 343 | 388 | 388 | 438 | 162 |   |
|  | 1.1                | 112-9000       | 306 | 351 | 361 | 406 | 406 | 461 | 176 |   |
|  | 1.5                | 112-6300       | 331 | 376 | 386 | 431 | 431 | 486 | 176 |   |
|  | 2.2                | 112-4500       | 378 | 418 | 453 | 493 | 493 | 548 | 202 |   |
|  | 3                  | 112-3150       | 378 | 418 | 453 | 493 | 493 | 548 | 202 |   |
|  | 4                  | 112-2240       | 442 | 492 | 517 | 567 | 567 | 622 | 220 |   |
|  | 5.5                | 112-1800       | 451 | 501 | 531 | 576 | 576 | 631 | 259 |   |
|  | 7.5                | 112-1250       | 489 | 539 | 569 | 614 | 614 | 669 | 259 |   |
|  | 11                 | 112-800        | 550 | 585 | 645 | 675 | 675 | 725 | 314 |   |
|  | 15                 | 112-630        | 580 | 615 | 675 | 705 | 705 | 755 | 314 |   |
|  | 18.5               | 112-450        | 604 | 634 | 714 | 739 | 739 | 784 | 356 |   |
|  | 22                 | 112-450        | 652 | 682 | 762 | 787 | 787 | 832 | 356 |   |
|  | 30                 | 112-250        | 705 | 710 | 820 | 825 | 825 | 870 | 398 |   |
|  | 37                 | 112-250        | 746 | 776 | 861 | 891 | 891 | 936 | 446 |   |
|  | 45                 | 112-224        | 746 | 776 | 861 | 891 | 891 | 936 | 446 |   |



MP motor dimension for K318

| MP                           | P <sub>1</sub> /kW | i <sub>N</sub> | MP  |     |      |      |      |      |     | D |
|------------------------------|--------------------|----------------|-----|-----|------|------|------|------|-----|---|
|                              |                    |                | L1  | L2  | L3   | L5   | L6   | L7   |     |   |
| Fan                          | 15                 | 140-160        | 532 | 567 | 627  | 657  | 657  | 707  | 314 |   |
| Driven fan                   | 18.5               | 112-160        | 573 | 603 | 683  | 708  | 708  | 753  | 356 |   |
| Brake + fan                  | 22                 | 100-160        | 621 | 651 | 731  | 756  | 756  | 801  | 356 |   |
| Double brake                 | 30                 | 71-140         | 674 | 679 | 789  | 794  | 794  | 839  | 398 |   |
| Brake + Driven fan           | 37                 | 56-140         | 715 | 745 | 830  | 860  | 860  | 905  | 446 |   |
| Encoder + Driven fan         | 45                 | 45-140         | 715 | 745 | 830  | 860  | 860  | 905  | 446 |   |
| Brake + Encoder + Driven fan | 55                 | 40-140         | 831 | 846 | 971  | 981  | 981  | 1026 | 485 |   |
|                              | 75                 | 28-112         | 876 | 906 | 1016 | 1051 | 1051 | 1096 | 547 |   |
|                              | 90                 | 20-112         | 927 | 957 | 1067 | 1102 | 1102 | 1147 | 547 |   |

注:渐开线花键空心轴的花键规格DIN5480: Note: Involute spline size DIN5480: m3×z45×α30×D140×9H



K318/C...

MP motor dimension for K318/C...

| MP        | P <sub>1</sub> /kW | i <sub>N</sub> | MP  |     |     |     |     |     |     | D |
|-----------|--------------------|----------------|-----|-----|-----|-----|-----|-----|-----|---|
|           |                    |                | L1  | L2  | L3  | L5  | L6  | L7  |     |   |
| K318/C210 | 0.55               | 1800-14000     | 283 | 328 | 343 | 388 | 388 | 438 | 162 |   |
| K318/C309 | 0.75               | 1800-14000     | 283 | 328 | 343 | 388 | 388 | 438 | 162 |   |
|           | 1.1                | 112-12500      | 306 | 351 | 361 | 406 | 406 | 461 | 176 |   |
|           | 1.5                | 112-10000      | 331 | 376 | 386 | 431 | 431 | 486 | 176 |   |
|           | 2.2                | 112-6300       | 378 | 418 | 453 | 493 | 493 | 548 | 202 |   |
|           | 3                  | 112-5000       | 378 | 418 | 453 | 493 | 493 | 548 | 202 |   |
|           | 4                  | 112-3550       | 442 | 492 | 517 | 567 | 567 | 622 | 220 |   |
|           | 5.5                | 112-2500       | 451 | 501 | 531 | 576 | 576 | 631 | 259 |   |
|           | 7.5                | 112-2000       | 489 | 539 | 569 | 614 | 614 | 669 | 259 |   |
|           | 11                 | 112-1250       | 550 | 585 | 645 | 675 | 675 | 725 | 314 |   |
|           | 15                 | 112-900        | 580 | 615 | 675 | 705 | 705 | 755 | 314 |   |
|           | 18.5               | 112-710        | 621 | 651 | 731 | 756 | 756 | 801 | 356 |   |
|           | 22                 | 112-630        | 669 | 699 | 779 | 804 | 804 | 849 | 356 |   |
|           | 30                 | 112-315        | 705 | 710 | 820 | 825 | 825 | 870 | 398 |   |
|           | 37                 | 112-315        | 746 | 776 | 861 | 891 | 891 | 936 | 446 |   |
|           | 45                 | 112-315        | 746 | 776 | 861 | 891 | 891 | 936 | 446 |   |

5.2 直连MU电机尺寸

5.2 Dimensions for Directly-connected Motor MU

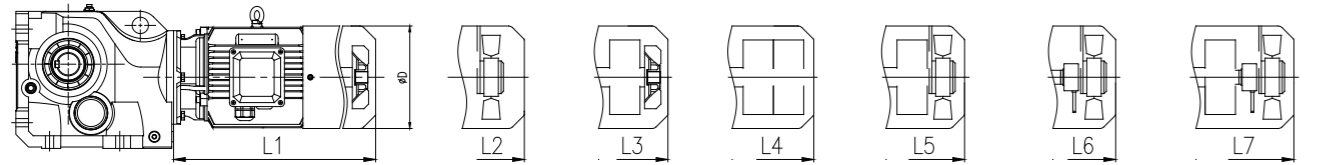
K303~K318+MU

| Size | P <sub>1</sub> /kW | i <sub>N</sub> | L1  | L2  | L3  | L5  | L6  | L7  | D   |
|------|--------------------|----------------|-----|-----|-----|-----|-----|-----|-----|
| K303 | 0.12               | 4-100          | 206 | 261 | 241 | 296 | /   | /   | 124 |
|      | 0.18               | 4-100          | 206 | 261 | 241 | 296 | /   | /   | 124 |
|      | 0.25               | 4-100          | 228 | 268 | 263 | 323 | 323 | 358 | 139 |
|      | 0.37               | 4-100          | 299 | 344 | 359 | 409 | 409 | 454 | 159 |
|      | 0.55               | 4-71           | 299 | 344 | 359 | 409 | 409 | 454 | 159 |
|      | 0.75               | 4-56           | 322 | 367 | 377 | 427 | 427 | 477 | 176 |
|      | 1.1                | 4-35.5         | 322 | 367 | 377 | 427 | 427 | 477 | 176 |
|      | 1.5                | 4-28           | 393 | 433 | 468 | 508 | 508 | 563 | 199 |
|      | 2.2                | 4-16           | 393 | 433 | 468 | 508 | 508 | 563 | 199 |
| K304 | 0.18               | 90-125         | 207 | 262 | 242 | 297 | /   | /   | 124 |
|      | 0.25               | 63-125         | 229 | 269 | 264 | 324 | 324 | 359 | 139 |
|      | 0.37               | 40-125         | 300 | 345 | 360 | 410 | 410 | 455 | 159 |
|      | 0.55               | 31.5-125       | 300 | 345 | 360 | 410 | 410 | 455 | 159 |
|      | 0.75               | 22.4-112       | 323 | 368 | 378 | 428 | 428 | 478 | 176 |
|      | 1.1                | 14-71          | 323 | 368 | 378 | 428 | 428 | 478 | 176 |
|      | 1.5                | 7.1-50         | 394 | 434 | 469 | 509 | 509 | 564 | 199 |
|      | 2.2                | 4-35.5         | 394 | 434 | 469 | 509 | 509 | 564 | 199 |
|      | 3                  | 4-28           | 459 | 509 | 534 | 584 | 584 | 639 | 220 |
| 4    | 4-20               | 470            | 520 | 550 | 595 | 595 | 650 | 259 |     |
| K305 | 0.25               | 71-112         | 229 | 269 | 264 | 324 | 324 | 359 | 139 |
|      | 0.37               | 63-112         | 300 | 345 | 360 | 410 | 410 | 455 | 159 |
|      | 0.55               | 40-112         | 300 | 345 | 360 | 410 | 410 | 455 | 159 |
|      | 0.75               | 31.5-112       | 323 | 368 | 378 | 428 | 428 | 478 | 176 |
|      | 1.1                | 25-63          | 323 | 368 | 378 | 428 | 428 | 478 | 176 |
|      | 1.5                | 16-63          | 394 | 434 | 469 | 509 | 509 | 564 | 199 |
|      | 2.2                | 6.3-56         | 394 | 434 | 469 | 509 | 509 | 564 | 199 |
|      | 3                  | 4-40           | 459 | 509 | 534 | 584 | 584 | 639 | 220 |
|      | 4                  | 4-28           | 470 | 520 | 550 | 595 | 595 | 650 | 259 |
| K306 | 0.37               | 90-125         | 300 | 345 | 360 | 410 | 410 | 455 | 159 |
|      | 0.55               | 63-125         | 300 | 345 | 360 | 410 | 410 | 455 | 159 |
|      | 0.75               | 45-125         | 323 | 368 | 378 | 428 | 428 | 478 | 176 |
|      | 1.1                | 31.5-90        | 323 | 368 | 378 | 428 | 428 | 478 | 176 |
|      | 1.5                | 22.4-90        | 394 | 434 | 469 | 509 | 509 | 564 | 199 |
|      | 2.2                | 14-80          | 394 | 434 | 469 | 509 | 509 | 564 | 199 |
|      | 3                  | 9-56           | 459 | 509 | 534 | 584 | 584 | 639 | 220 |
|      | 4                  | 7.1-40         | 470 | 520 | 550 | 595 | 595 | 650 | 259 |
|      | 5.5                | 4-31.5         | 508 | 558 | 588 | 633 | 633 | 688 | 259 |

K303~K318+MU

| Size | P <sub>1</sub> /kW | i <sub>N</sub> | L1  | L2  | L3  | L5  | L6  | L7  | D   |
|------|--------------------|----------------|-----|-----|-----|-----|-----|-----|-----|
| K307 | 0.37               | 160-180        | 292 | 337 | 352 | 402 | 402 | 447 | 159 |
|      | 0.55               | 112-180        | 292 | 337 | 352 | 402 | 402 | 447 | 159 |
|      | 0.75               | 90-180         | 315 | 360 | 370 | 420 | 420 | 470 | 176 |
|      | 1.1                | 56-112         | 315 | 360 | 370 | 420 | 420 | 470 | 176 |
|      | 1.5                | 40-112         | 387 | 427 | 462 | 502 | 502 | 557 | 199 |
|      | 2.2                | 28-112         | 387 | 427 | 462 | 502 | 502 | 557 | 199 |
|      | 3                  | 20-112         | 451 | 501 | 526 | 576 | 576 | 631 | 220 |
|      | 4                  | 16-80          | 459 | 509 | 539 | 584 | 584 | 639 | 259 |
|      | 5.5                | 9-50           | 497 | 547 | 577 | 622 | 622 | 677 | 259 |
|      | 7.5                | 7.1-40         | 551 | 586 | 646 | 681 | 681 | 736 | 314 |
|      | 11                 | 7.1-28         | 581 | 616 | 676 | 711 | 711 | 766 | 314 |
|      | 0.55               | 160-180        | 283 | 328 | 343 | 393 | 393 | 438 | 159 |
|      | 0.75               | 140-180        | 306 | 351 | 361 | 411 | 411 | 461 | 176 |
| K308 | 1.1                | 100-160        | 306 | 351 | 361 | 411 | 411 | 461 | 176 |
|      | 1.5                | 71-160         | 378 | 418 | 453 | 493 | 493 | 548 | 199 |
|      | 2.2                | 50-160         | 378 | 418 | 453 | 493 | 493 | 548 | 199 |
|      | 3                  | 35.5-160       | 442 | 492 | 517 | 567 | 567 | 622 | 220 |
|      | 4                  | 25-140         | 451 | 501 | 531 | 576 | 576 | 631 | 259 |
|      | 5.5                | 16-80          | 489 | 539 | 569 | 614 | 614 | 669 | 259 |
|      | 7.5                | 8-71           | 550 | 585 | 645 | 680 | 680 | 735 | 314 |
|      | 11                 | 7.1-50         | 580 | 615 | 675 | 710 | 710 | 765 | 314 |
|      | 15                 | 7.1-35.5       | 621 | 651 | 731 | 756 | 756 | 811 | 356 |
|      | 18.5               | 7.1-28         | 669 | 699 | 779 | 804 | 804 | 859 | 356 |
|      | 1.1                | 140-180        | 303 | 348 | 358 | 408 | 408 | 458 | 176 |
|      | 1.5                | 112-180        | 374 | 414 | 449 | 489 | 489 | 544 | 199 |
|      | 2.2                | 90-180         | 374 | 414 | 449 | 489 | 489 | 544 | 199 |
| K309 | 3                  | 63-180         | 438 | 488 | 513 | 563 | 563 | 618 | 220 |
|      | 4                  | 45-180         | 450 | 500 | 530 | 575 | 575 | 630 | 259 |
|      | 5.5                | 35.5-112       | 488 | 538 | 568 | 613 | 613 | 668 | 259 |
|      | 7.5                | 25-112         | 544 | 579 | 639 | 674 | 674 | 729 | 314 |
|      | 11                 | 16-90          | 574 | 609 | 669 | 704 | 704 | 761 | 314 |
|      | 15                 | 9-63           | 615 | 645 | 725 | 750 | 750 | 805 | 356 |
|      | 18.5               | 7.1-50         | 663 | 693 | 773 | 798 | 798 | 853 | 356 |
|      | 22                 | 7.1-40         | 705 | 710 | 820 | 825 | 825 | 880 | 398 |
|      | 2.2                | 140-180        | 370 | 410 | 445 | 485 | 485 | 540 | 199 |
|      | 3                  | 112-180        | 434 | 484 | 509 | 559 | 559 | 614 | 220 |
|      | 4                  | 80-180         | 439 | 489 | 519 | 564 | 564 | 619 | 259 |
|      | 5.5                | 56-125         | 477 | 527 | 557 | 602 | 602 | 657 | 259 |
|      | 7.5                | 40-125         | 533 | 568 | 628 | 663 | 663 | 718 | 314 |
| 11   | 28-125             | 563            | 598 | 658 | 693 | 693 | 750 | 314 |     |
| K310 | 15                 | 20-112         | 604 | 634 | 714 | 739 | 739 | 794 | 356 |
|      | 18.5               | 16-90          | 652 | 682 | 762 | 787 | 787 | 842 | 356 |
|      | 22                 | 12.5-80        | 705 | 710 | 820 | 825 | 825 | 880 | 398 |
|      | 30                 | 8-50           | 746 | 776 | 861 | 891 | 891 | 946 | 446 |
|      | 37                 | 8-40           | 746 | 776 | 861 | 891 | 891 | 946 | 446 |

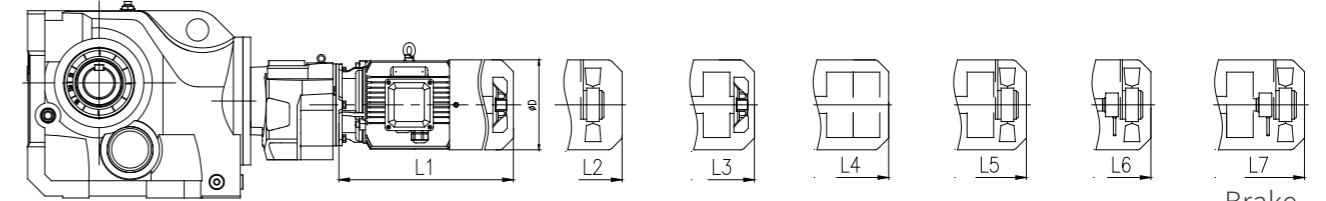
K303~K318+MU



K303~K318 Fan Driven fan Brake + fan Double brake Brake + Driven fan Encoder + Driven fan Brake + Encoder + Driven fan

| Size | P <sub>1</sub> /kW | i <sub>N</sub> | L1  | L2   | L3   | L5   | L6   | L7   | D   |
|------|--------------------|----------------|-----|------|------|------|------|------|-----|
| K312 | 4                  | 140-180        | 429 | 479  | 509  | 554  | 554  | 609  | 259 |
|      | 5.5                | 100-140        | 467 | 517  | 547  | 592  | 592  | 647  | 259 |
|      | 7.5                | 71-140         | 517 | 552  | 612  | 647  | 647  | 702  | 314 |
|      | 11                 | 45-140         | 547 | 582  | 642  | 677  | 677  | 734  | 314 |
|      | 15                 | 35.5-140       | 588 | 618  | 698  | 723  | 723  | 778  | 356 |
|      | 18.5               | 28-140         | 636 | 666  | 746  | 771  | 771  | 826  | 356 |
|      | 22                 | 25-112         | 684 | 689  | 799  | 804  | 804  | 859  | 398 |
|      | 30                 | 16-90          | 725 | 755  | 840  | 870  | 870  | 925  | 446 |
|      | 37                 | 9-71           | 725 | 755  | 840  | 870  | 870  | 925  | 446 |
|      | 45                 | 7.1-56         | 841 | 856  | 981  | 991  | 991  | 1046 | 485 |
|      | 55                 | 7.1-45         | 886 | 916  | 1026 | 1061 | 1061 | 1116 | 547 |
|      | 75                 | 7.1-35.5       | 937 | 967  | 1077 | 1112 | 1112 | 1167 | 547 |
| 90   | 7.1-28             | 937            | 967 | 1077 | 1112 | 1112 | 1167 | 547  |     |
| K315 | 7.5                | 100-140        | 502 | 537  | 597  | 632  | 632  | 687  | 314 |
|      | 11                 | 71-140         | 532 | 567  | 627  | 662  | 662  | 719  | 314 |
|      | 15                 | 50-140         | 573 | 603  | 683  | 708  | 708  | 763  | 356 |
|      | 18.5               | 40-140         | 621 | 651  | 731  | 756  | 756  | 811  | 356 |
|      | 22                 | 31.5-140       | 674 | 679  | 789  | 794  | 794  | 849  | 398 |
|      | 30                 | 25-112         | 715 | 745  | 830  | 860  | 860  | 915  | 446 |
|      | 37                 | 20-100         | 715 | 745  | 830  | 860  | 860  | 915  | 446 |
|      | 45                 | 16-80          | 831 | 846  | 971  | 981  | 981  | 1036 | 485 |
|      | 55                 | 12.5-71        | 876 | 906  | 1016 | 1051 | 1051 | 1106 | 547 |
|      | 75                 | 10-50          | 927 | 957  | 1067 | 1102 | 1102 | 1157 | 547 |
| 90   | 10-40              | 927            | 957 | 1067 | 1102 | 1102 | 1157 | 547  |     |
| K316 | 11                 | 125-160        | 532 | 567  | 627  | 662  | 662  | 719  | 314 |
|      | 15                 | 90-160         | 573 | 603  | 683  | 708  | 708  | 763  | 356 |
|      | 18.5               | 80-160         | 621 | 651  | 731  | 756  | 756  | 811  | 356 |
|      | 22                 | 63-160         | 674 | 679  | 789  | 794  | 794  | 849  | 398 |
|      | 30                 | 45-112         | 715 | 745  | 830  | 860  | 860  | 915  | 446 |
|      | 37                 | 40-112         | 715 | 745  | 830  | 860  | 860  | 915  | 446 |
|      | 45                 | 31.5-112       | 831 | 846  | 971  | 981  | 981  | 1036 | 485 |
|      | 55                 | 25-112         | 876 | 906  | 1016 | 1051 | 1051 | 1106 | 547 |
|      | 75                 | 18-90          | 927 | 957  | 1067 | 1102 | 1102 | 1157 | 547 |
| 90   | 14-80              | 927            | 957 | 1067 | 1102 | 1102 | 1157 | 547  |     |
| K318 | 15                 | 140-160        | 573 | 603  | 683  | 708  | 708  | 763  | 356 |
|      | 18.5               | 112-160        | 621 | 651  | 731  | 756  | 756  | 811  | 356 |
|      | 22                 | 100-160        | 674 | 679  | 789  | 794  | 794  | 849  | 398 |
|      | 30                 | 71-140         | 715 | 745  | 830  | 860  | 860  | 915  | 446 |
|      | 37                 | 56-140         | 715 | 745  | 830  | 860  | 860  | 915  | 446 |
|      | 45                 | 45-140         | 831 | 846  | 971  | 981  | 981  | 1036 | 485 |
|      | 55                 | 40-140         | 876 | 906  | 1016 | 1051 | 1051 | 1106 | 547 |
|      | 75                 | 28-112         | 927 | 957  | 1067 | 1102 | 1102 | 1157 | 547 |
| 90   | 20-112             | 927            | 957 | 1067 | 1102 | 1102 | 1157 | 547  |     |

K/C+MU



K/C combi-type Fan Driven fan Brake + fan Double brake Brake + Driven fan Encoder + Driven fan Brake + Encoder + Driven fan

| Size       | P <sub>1</sub> /kW | i <sub>N</sub> | L1  | L2  | L3  | L5  | L6  | L7  | D   |
|------------|--------------------|----------------|-----|-----|-----|-----|-----|-----|-----|
| K303/C. 01 | 0.12               | 112-500        | 206 | 261 | 241 | 296 | /   | /   | 124 |
|            | 0.18               | 112-250        | 206 | 261 | 241 | 296 | /   | /   | 124 |
|            | 0.25               | 112-224        | 228 | 268 | 263 | 323 | 323 | 358 | 139 |
|            | 0.37               | 112-140        | 299 | 344 | 359 | 409 | 409 | 454 | 139 |
| K304/C. 03 | 0.12               | 112-900        | 206 | 261 | 241 | 296 | /   | /   | 124 |
|            | 0.18               | 112-630        | 206 | 261 | 241 | 296 | /   | /   | 124 |
|            | 0.25               | 112-250        | 228 | 268 | 263 | 323 | 323 | 358 | 139 |
|            | 0.37               | 112-250        | 299 | 344 | 359 | 409 | 409 | 454 | 139 |
| K305/C. 03 | 0.55               | 112-200        | 299 | 344 | 359 | 409 | 409 | 454 | 162 |
|            | 0.12               | 112-1600       | 206 | 261 | 241 | 296 | /   | /   | 124 |
|            | 0.18               | 112-900        | 206 | 261 | 241 | 296 | /   | /   | 124 |
| K306/C. 03 | 0.25               | 112-250        | 228 | 268 | 263 | 323 | 323 | 358 | 139 |
|            | 0.37               | 112-250        | 299 | 344 | 359 | 409 | 409 | 454 | 139 |
|            | 0.55               | 112-250        | 299 | 344 | 359 | 409 | 409 | 454 | 162 |
|            | 0.75               | 112-315        | 322 | 367 | 377 | 427 | 427 | 477 | 162 |
| K307/C. 05 | 1.1                | 112-224        | 322 | 367 | 377 | 427 | 427 | 477 | 176 |
|            | 1.5                | 112-160        | 393 | 433 | 468 | 508 | 508 | 563 | 176 |
|            | 2.2                | 112            | 393 | 433 | 468 | 508 | 508 | 563 | 202 |
|            | 0.12               | 112-4000       | 206 | 261 | 241 | 296 | /   | /   | 124 |
|            | 0.18               | 112-2500       | 206 | 261 | 241 | 296 | /   | /   | 124 |
|            | 0.25               | 112-1800       | 228 | 268 | 263 | 323 | 323 | 358 | 139 |
|            | 0.37               | 112-1250       | 299 | 344 | 359 | 409 | 409 | 454 | 139 |
| K308/C. 05 | 0.55               | 112-800        | 299 | 344 | 359 | 409 | 409 | 454 | 162 |
|            | 0.75               | 112-630        | 322 | 367 | 377 | 427 | 427 | 477 | 162 |
|            | 1.1                | 112-355        | 322 | 367 | 377 | 427 | 427 | 477 | 176 |
|            | 1.5                | 112-280        | 393 | 433 | 468 | 508 | 508 | 563 | 176 |
|            | 2.2                | 112-200        | 393 | 433 | 468 | 508 | 508 | 563 | 202 |
|            | 0.12               | 112-6300       | 207 | 262 | 242 | 297 | /   | /   | 124 |
|            | 0.18               | 112-4000       | 207 | 262 | 242 | 297 | /   | /   | 124 |
|            | 0.25               | 112-3150       | 229 | 269 | 264 | 324 | 324 | 359 | 139 |
|            | 0.37               | 112-2000       | 300 | 345 | 360 | 410 | 410 | 455 | 139 |
|            | 0.55               | 112-1250       | 300 | 345 | 360 | 410 | 410 | 455 | 162 |
| K308/C. 05 | 0.75               | 112-1000       | 323 | 368 | 378 | 428 | 428 | 478 | 162 |
|            | 1.1                | 112-355        | 323 | 368 | 378 | 428 | 428 | 478 | 176 |
|            | 1.5                | 112-355        | 394 | 434 | 469 | 509 | 509 | 564 | 176 |
|            | 2.2                | 112-355        | 394 | 434 | 469 | 509 | 509 | 564 | 202 |
|            | 3                  | 112-250        | 459 | 509 | 534 | 584 | 584 | 639 | 202 |

K/C+MU

K/C combi-type    Fan    Driven fan    Brake + fan    Double brake    Brake + Driven fan    Encoder + Driven fan    Brake + Encoder + Driven fan

| Size                     | P <sub>i</sub> /kW | i <sub>N</sub> | L1  | L2  | L3  | L5  | L6  | L7  | D   |
|--------------------------|--------------------|----------------|-----|-----|-----|-----|-----|-----|-----|
| K309/C. 05               | 0.12               | 112-11200      | 207 | 262 | 242 | 297 | /   | /   | 124 |
|                          | 0.18               | 112-7100       | 207 | 262 | 242 | 297 | /   | /   | 124 |
|                          | 0.25               | 112-5000       | 229 | 269 | 264 | 324 | 324 | 359 | 139 |
|                          | 0.37               | 112-3550       | 300 | 345 | 360 | 410 | 410 | 455 | 139 |
|                          | 0.55               | 112-2240       | 300 | 345 | 360 | 410 | 410 | 455 | 162 |
|                          | 0.75               | 112-1600       | 323 | 368 | 378 | 428 | 428 | 478 | 162 |
|                          | 1.1                | 112-1250       | 323 | 368 | 378 | 428 | 428 | 478 | 176 |
|                          | 1.5                | 112-900        | 394 | 434 | 469 | 509 | 509 | 564 | 176 |
|                          | 2.2                | 112-630        | 394 | 434 | 469 | 509 | 509 | 564 | 202 |
|                          | 3                  | 112-400        | 459 | 509 | 534 | 584 | 584 | 639 | 202 |
| 4                        | 112-315            | 470            | 520 | 550 | 595 | 595 | 650 | 220 |     |
| K310/C. 07               | 0.25               | 112-9000       | 221 | 261 | 256 | 316 | 316 | 351 | 139 |
|                          | 0.37               | 112-5600       | 292 | 337 | 352 | 402 | 402 | 447 | 139 |
|                          | 0.55               | 112-4000       | 292 | 337 | 352 | 402 | 402 | 447 | 162 |
|                          | 0.75               | 112-2800       | 315 | 360 | 370 | 420 | 420 | 470 | 162 |
|                          | 1.1                | 112-1800       | 315 | 360 | 370 | 420 | 420 | 470 | 176 |
|                          | 1.5                | 112-1400       | 387 | 427 | 462 | 502 | 502 | 557 | 176 |
|                          | 2.2                | 112-1000       | 387 | 427 | 462 | 502 | 502 | 557 | 202 |
|                          | 3                  | 112-710        | 451 | 501 | 526 | 576 | 576 | 631 | 202 |
|                          | 4                  | 112-560        | 459 | 509 | 539 | 584 | 584 | 639 | 220 |
|                          | 5.5                | 112-250        | 497 | 547 | 577 | 622 | 622 | 677 | 259 |
| 7.5                      | 112-250            | 551            | 586 | 646 | 681 | 681 | 736 | 259 |     |
| 11                       | 112-200            | 581            | 616 | 676 | 711 | 711 | 766 | 314 |     |
| K312/C. 08<br>K312/C. 07 | 0.25               | 800-14000      | 221 | 261 | 256 | 316 | 316 | 351 | 139 |
|                          | 0.37               | 800-9000       | 292 | 337 | 352 | 402 | 402 | 447 | 139 |
|                          | 0.55               | 450-7100       | 292 | 337 | 352 | 402 | 402 | 447 | 162 |
|                          | 0.75               | 450-5000       | 315 | 360 | 370 | 420 | 420 | 470 | 162 |
|                          | 1.1                | 112-3150       | 315 | 360 | 370 | 420 | 420 | 470 | 176 |
|                          | 1.5                | 112-2240       | 387 | 427 | 462 | 502 | 502 | 557 | 176 |
|                          | 2.2                | 112-1600       | 378 | 418 | 453 | 493 | 493 | 548 | 202 |
|                          | 3                  | 112-1120       | 442 | 492 | 517 | 567 | 567 | 622 | 202 |
|                          | 4                  | 112-900        | 451 | 501 | 531 | 576 | 576 | 631 | 220 |
|                          | 5.5                | 112-400        | 489 | 539 | 569 | 614 | 614 | 669 | 259 |
| 7.5                      | 112-400            | 550            | 585 | 645 | 680 | 680 | 735 | 259 |     |
| 11                       | 112-315            | 580            | 615 | 675 | 710 | 710 | 765 | 314 |     |
| 15                       | 112-250            | 621            | 651 | 731 | 756 | 756 | 811 | 314 |     |
| 18.5                     | 112-200            | 669            | 699 | 779 | 804 | 804 | 859 | 356 |     |

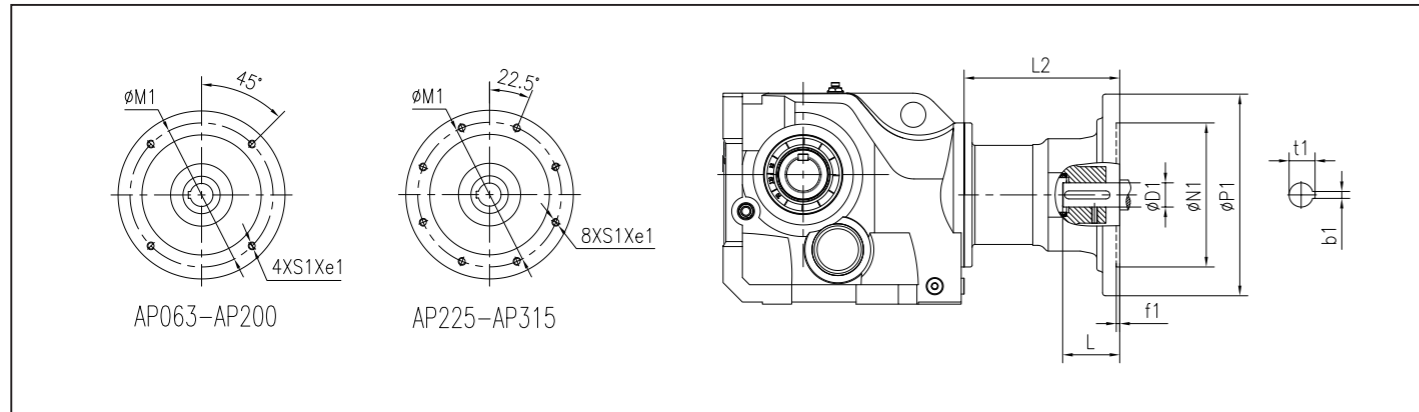
K/C+MU

K/C combi-type    Fan    Driven fan    Brake + fan    Double brake    Brake + Driven fan    Encoder + Driven fan    Brake + Encoder + Driven fan

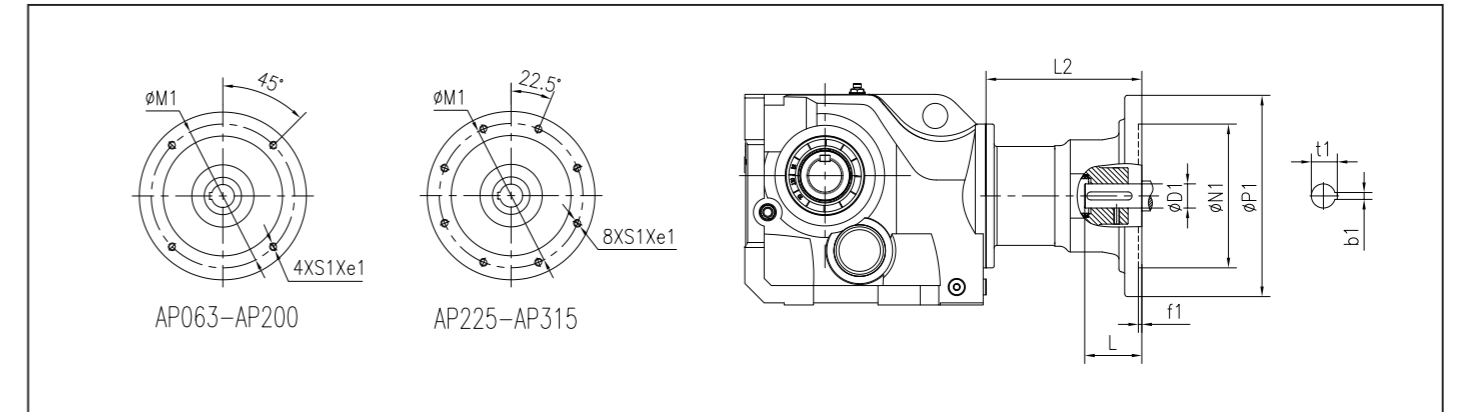
| Size                     | P <sub>i</sub> /kW | i <sub>N</sub> | L1  | L2  | L3  | L5  | L6  | L7  | D   |
|--------------------------|--------------------|----------------|-----|-----|-----|-----|-----|-----|-----|
| K315/C. 10<br>K315/C. 09 | 0.55               | 450-9000       | 280 | 325 | 340 | 390 | 390 | 435 | 162 |
|                          | 0.75               | 450-7100       | 303 | 348 | 358 | 408 | 408 | 458 | 162 |
|                          | 1.1                | 112-4500       | 303 | 348 | 358 | 408 | 408 | 458 | 176 |
|                          | 1.5                | 112-3150       | 374 | 414 | 449 | 489 | 489 | 544 | 176 |
|                          | 2.2                | 112-2240       | 374 | 414 | 449 | 489 | 489 | 544 | 202 |
|                          | 3                  | 112-1800       | 438 | 488 | 513 | 563 | 563 | 618 | 202 |
|                          | 4                  | 112-1250       | 439 | 489 | 519 | 564 | 564 | 619 | 220 |
|                          | 5.5                | 112-400        | 477 | 527 | 557 | 602 | 602 | 657 | 259 |
|                          | 7.5                | 112-400        | 533 | 568 | 628 | 663 | 663 | 718 | 259 |
|                          | 11                 | 112-400        | 563 | 598 | 658 | 693 | 693 | 750 | 314 |
| 15                       | 112-315            | 604            | 634 | 714 | 739 | 739 | 794 | 314 |     |
| 18.5                     | 112-280            | 652            | 682 | 762 | 787 | 787 | 842 | 356 |     |
| 22                       | 112-224            | 705            | 710 | 820 | 825 | 825 | 880 | 356 |     |
| K316/C. 10<br>K316/C. 09 | 0.55               | 1800-14000     | 280 | 325 | 340 | 390 | 390 | 435 | 162 |
|                          | 0.75               | 1800-12500     | 303 | 348 | 358 | 408 | 408 | 458 | 162 |
|                          | 1.1                | 112-9000       | 303 | 348 | 358 | 408 | 408 | 458 | 176 |
|                          | 1.5                | 112-6300       | 374 | 414 | 449 | 489 | 489 | 544 | 176 |
|                          | 2.2                | 112-4500       | 374 | 414 | 449 | 489 | 489 | 544 | 202 |
|                          | 3                  | 112-3150       | 438 | 488 | 513 | 563 | 563 | 618 | 202 |
|                          | 4                  | 112-2240       | 439 | 489 | 519 | 564 | 564 | 619 | 220 |
|                          | 5.5                | 112-1800       | 477 | 527 | 557 | 602 | 602 | 657 | 259 |
|                          | 7.5                | 112-1250       | 533 | 568 | 628 | 663 | 663 | 718 | 259 |
|                          | 11                 | 112-800        | 563 | 598 | 658 | 693 | 693 | 750 | 314 |
| 15                       | 112-630            | 604            | 634 | 714 | 739 | 739 | 794 | 314 |     |
| 18.5                     | 112-450            | 652            | 682 | 762 | 787 | 787 | 842 | 356 |     |
| 22                       | 112-450            | 705            | 710 | 820 | 825 | 825 | 880 | 356 |     |
| 30                       | 112-250            | 746            | 776 | 861 | 891 | 891 | 946 | 398 |     |
| 37                       | 112-250            | 746            | 776 | 861 | 891 | 891 | 946 | 446 |     |
| K318/C. 10<br>K318/C. 09 | 0.55               | 1800-14000     | 280 | 325 | 340 | 390 | 390 | 435 | 162 |
|                          | 0.75               | 1800-14000     | 303 | 348 | 358 | 408 | 408 | 458 | 162 |
|                          | 1.1                | 112-12500      | 303 | 348 | 358 | 408 | 408 | 458 | 176 |
|                          | 1.5                | 112-10000      | 374 | 414 | 449 | 489 | 489 | 544 | 176 |
|                          | 2.2                | 112-6300       | 374 | 414 | 449 | 489 | 489 | 544 | 202 |
|                          | 3                  | 112-5000       | 438 | 488 | 513 | 563 | 563 | 618 | 202 |
|                          | 4                  | 112-3550       | 439 | 489 | 519 | 564 | 564 | 619 | 220 |
|                          | 5.5                | 112-2500       | 477 | 527 | 557 | 602 | 602 | 657 | 259 |
|                          | 7.5                | 112-2000       | 533 | 568 | 628 | 663 | 663 | 718 | 259 |
|                          | 11                 | 112-1250       | 563 | 598 | 658 | 693 | 693 | 750 | 314 |
| 15                       | 112-900            | 604            | 634 | 714 | 739 | 739 | 794 | 314 |     |
| 18.5                     | 112-710            | 652            | 682 | 762 | 787 | 787 | 842 | 356 |     |
| 22                       | 112-630            | 705            | 710 | 820 | 825 | 825 | 880 | 356 |     |
| 30                       | 112-315            | 746            | 776 | 861 | 891 | 891 | 946 | 398 |     |
| 37                       | 112-315            | 746            | 776 | 861 | 891 | 891 | 946 | 446 |     |

6 输入法兰和输入轴尺寸 6 Input Flange & Input Shaft

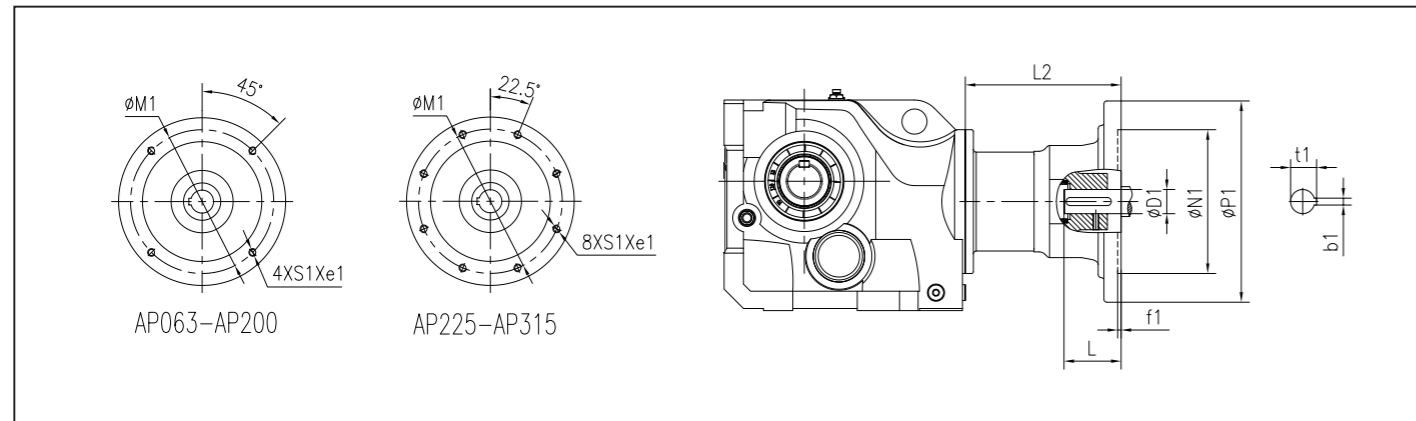
6.1 K系列AP输入法兰外形尺寸(mm) 6.1 K Series Dimensions of AP Input Flange(mm)



| Size | Flange | $i_N$  | e1 | D1   | N1    | M1  | P1  | f1 | b1 | t1   | L  | S1  | L2    |
|------|--------|--------|----|------|-------|-----|-----|----|----|------|----|-----|-------|
| K303 | AP063  | 4-100  | 14 | 11H7 | 95H7  | 115 | 140 | 4  | 4  | 12.8 | 23 | M8  | 59    |
|      | AP071  | 4-100  | 14 | 14H7 | 110H7 | 130 | 160 | 4  | 5  | 16.3 | 30 | M8  | 59    |
|      | AP080  | 4-71   | 18 | 19H7 | 130H7 | 165 | 200 | 4  | 6  | 21.8 | 40 | M10 | 74    |
| K304 | AP063  | 4-125  | 14 | 11H7 | 95H7  | 115 | 140 | 4  | 4  | 12.8 | 23 | M8  | 61    |
|      | AP071  | 4-125  | 14 | 14H7 | 110H7 | 130 | 160 | 4  | 5  | 16.3 | 30 | M8  | 61    |
|      | AP080  | 4-125  | 18 | 19H7 | 130H7 | 165 | 200 | 4  | 6  | 21.8 | 40 | M10 | 76    |
|      | AP090  | 4-71   | 18 | 24H7 | 130H7 | 165 | 200 | 4  | 8  | 27.3 | 50 | M10 | 81    |
|      | AP100  | 4-35.5 | 28 | 28H7 | 180H7 | 215 | 250 | 5  | 8  | 31.3 | 60 | M12 | 190.5 |
| K305 | AP063  | 4-112  | 14 | 11H7 | 95H7  | 115 | 140 | 4  | 4  | 12.8 | 23 | M8  | 61    |
|      | AP071  | 4-112  | 14 | 14H7 | 110H7 | 130 | 160 | 4  | 5  | 16.3 | 30 | M8  | 61    |
|      | AP080  | 4-112  | 18 | 19H7 | 130H7 | 165 | 200 | 4  | 6  | 21.8 | 40 | M10 | 76    |
|      | AP090  | 4-63   | 18 | 24H7 | 130H7 | 165 | 200 | 4  | 8  | 27.3 | 50 | M10 | 81    |
|      | AP100  | 4-56   | 28 | 28H7 | 180H7 | 215 | 250 | 5  | 8  | 31.3 | 60 | M12 | 190.5 |
|      | AP112  | 4-28   | 28 | 28H7 | 180H7 | 215 | 250 | 5  | 8  | 31.3 | 60 | M12 | 190.5 |
| K306 | AP063  | 4-125  | 14 | 11H7 | 95H7  | 115 | 140 | 4  | 4  | 12.8 | 23 | M8  | 61    |
|      | AP071  | 4-125  | 14 | 14H7 | 110H7 | 130 | 160 | 4  | 5  | 16.3 | 30 | M8  | 61    |
|      | AP080  | 4-125  | 18 | 19H7 | 130H7 | 165 | 200 | 4  | 6  | 21.8 | 40 | M10 | 76    |
|      | AP090  | 4-90   | 18 | 24H7 | 130H7 | 165 | 200 | 4  | 8  | 27.3 | 50 | M10 | 81    |
|      | AP100  | 4-80   | 28 | 28H7 | 180H7 | 215 | 250 | 5  | 8  | 31.3 | 60 | M12 | 190.5 |
|      | AP112  | 4-40   | 28 | 28H7 | 180H7 | 215 | 250 | 5  | 8  | 31.3 | 60 | M12 | 190.5 |
|      | AP132  | 4-31.5 | 28 | 38H7 | 230H7 | 265 | 300 | 5  | 10 | 41.3 | 80 | M12 | 220   |



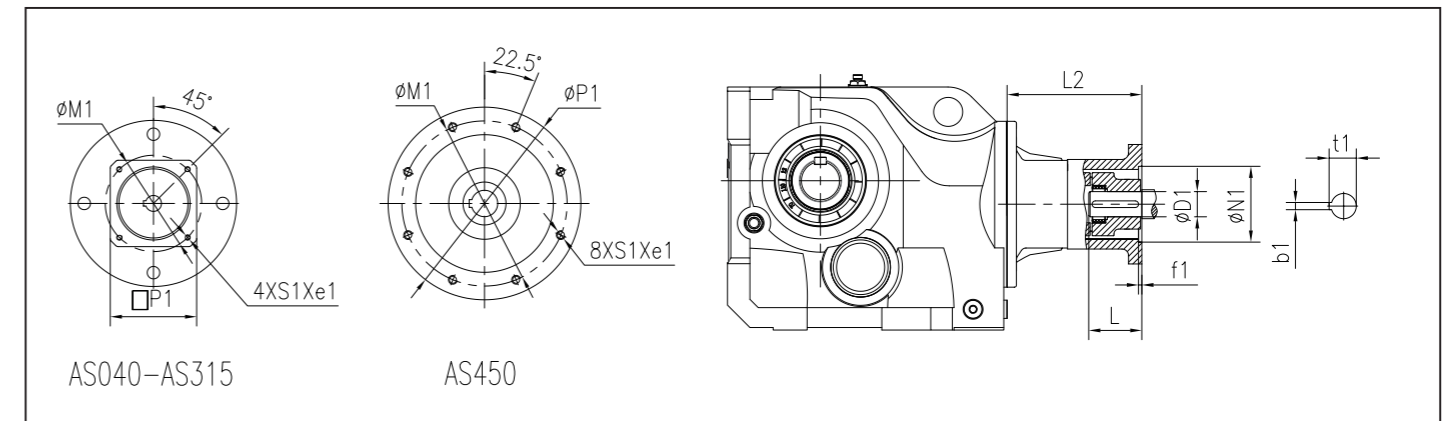
| Size | Flange | $i_N$   | e1 | D1   | N1    | M1  | P1  | f1 | b1 | t1   | L   | S1  | L2    |
|------|--------|---------|----|------|-------|-----|-----|----|----|------|-----|-----|-------|
| K307 | AP071  | 7.1-180 | 14 | 14H7 | 110H7 | 130 | 160 | 4  | 5  | 16.3 | 30  | M8  | 53    |
|      | AP080  | 7.1-180 | 18 | 19H7 | 130H7 | 165 | 200 | 4  | 6  | 21.8 | 40  | M10 | 68    |
|      | AP090  | 7.1-112 | 18 | 24H7 | 130H7 | 165 | 200 | 4  | 8  | 27.3 | 50  | M10 | 73    |
|      | AP100  | 7.1-112 | 28 | 28H7 | 180H7 | 215 | 250 | 5  | 8  | 31.3 | 60  | M12 | 180.5 |
|      | AP112  | 7.1-80  | 28 | 28H7 | 180H7 | 215 | 250 | 5  | 8  | 31.3 | 60  | M12 | 180.5 |
| K308 | AP132  | 7.1-50  | 28 | 38H7 | 230H7 | 265 | 300 | 5  | 10 | 41.3 | 80  | M12 | 210   |
|      | AP080  | 90-180  | 18 | 19H7 | 130H7 | 165 | 200 | 4  | 6  | 21.8 | 40  | M10 | 65    |
|      | AP090  | 7.1-160 | 18 | 24H7 | 130H7 | 165 | 200 | 4  | 8  | 27.3 | 50  | M10 | 66    |
|      | AP100  | 7.1-160 | 28 | 28H7 | 180H7 | 215 | 250 | 5  | 8  | 31.3 | 60  | M12 | 170.5 |
|      | AP112  | 7.1-140 | 28 | 28H7 | 180H7 | 215 | 250 | 5  | 8  | 31.3 | 60  | M12 | 170.5 |
|      | AP132  | 7.1-80  | 28 | 38H7 | 230H7 | 265 | 300 | 5  | 10 | 41.3 | 80  | M12 | 203   |
| K309 | AP160  | 7.1-45  | 40 | 42H7 | 250H7 | 300 | 350 | 6  | 12 | 45.3 | 110 | M16 | 272   |
|      | AP180  | 7.1-28  | 40 | 48H7 | 250H7 | 300 | 350 | 6  | 14 | 51.8 | 110 | M16 | 272   |
|      | AP090  | 7.1-180 | 18 | 24H7 | 130H7 | 165 | 200 | 4  | 8  | 27.3 | 50  | M10 | 61    |
|      | AP100  | 7.1-180 | 28 | 28H7 | 180H7 | 215 | 250 | 5  | 8  | 31.3 | 60  | M12 | 171.5 |
|      | AP112  | 7.1-180 | 28 | 28H7 | 180H7 | 215 | 250 | 5  | 8  | 31.3 | 60  | M12 | 171.5 |
|      | AP132  | 7.1-112 | 28 | 38H7 | 230H7 | 265 | 300 | 5  | 10 | 41.3 | 80  | M12 | 202   |
|      | AP160  | 7.1-90  | 40 | 42H7 | 250H7 | 300 | 350 | 6  | 12 | 45.3 | 110 | M16 | 271   |
|      | AP180  | 7.1-50  | 40 | 48H7 | 250H7 | 300 | 350 | 6  | 14 | 51.8 | 110 | M16 | 271   |
| K310 | AP200  | 7.1-28  | 40 | 55H7 | 300H7 | 350 | 400 | 6  | 16 | 59.3 | 110 | M16 | 327   |
|      | AP100  | 8-180   | 28 | 28H7 | 180H7 | 215 | 250 | 5  | 8  | 31.3 | 60  | M12 | 161.5 |
|      | AP112  | 8-180   | 28 | 28H7 | 180H7 | 215 | 250 | 5  | 8  | 31.3 | 60  | M12 | 161.5 |
|      | AP132  | 8-125   | 28 | 38H7 | 230H7 | 265 | 300 | 5  | 10 | 41.3 | 80  | M12 | 189   |
|      | AP160  | 8-125   | 40 | 42H7 | 250H7 | 300 | 350 | 6  | 12 | 45.3 | 110 | M16 | 258   |
|      | AP180  | 8-90    | 40 | 48H7 | 250H7 | 300 | 350 | 6  | 14 | 51.8 | 110 | M16 | 258   |
|      | AP200  | 8-50    | 40 | 55H7 | 250H7 | 350 | 400 | 6  | 16 | 59.3 | 110 | M16 | 327   |
|      | AP225  | 8-40    | 30 | 60H7 | 300H7 | 400 | 450 | 6  | 18 | 64.4 | 140 | M16 | 354   |



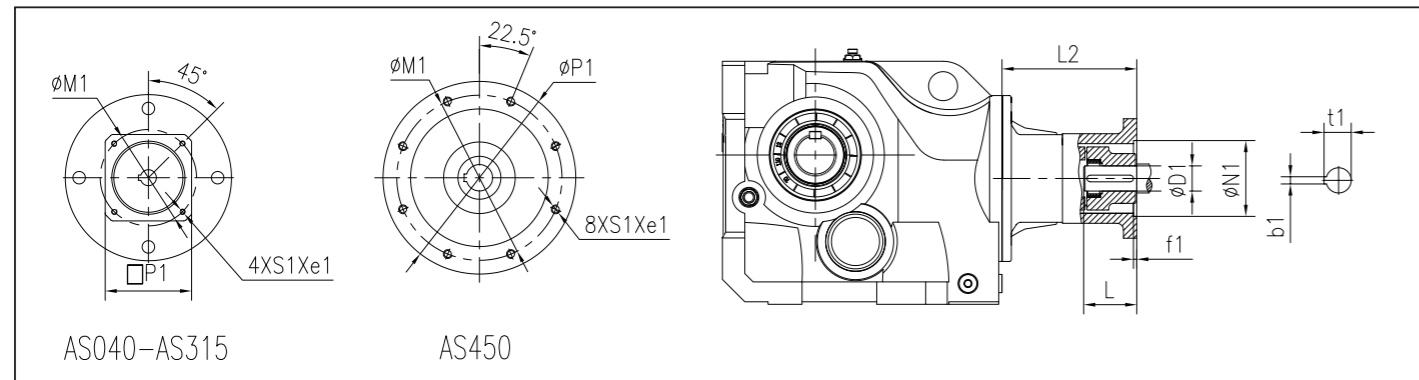
| Size | Flange | $i_N$    | e1 | D1   | N1    | M1  | P1  | f1 | b1 | t1   | L   | S1  | L2  |
|------|--------|----------|----|------|-------|-----|-----|----|----|------|-----|-----|-----|
| K312 | AP132  | 7.1-140  | 28 | 38H7 | 230H7 | 265 | 300 | 5  | 10 | 41.3 | 80  | M12 | 175 |
|      | AP160  | 7.1-140  | 40 | 42H7 | 250H7 | 300 | 350 | 6  | 12 | 45.3 | 110 | M16 | 244 |
|      | AP180  | 7.1-140  | 40 | 48H7 | 250H7 | 300 | 350 | 6  | 14 | 51.8 | 110 | M16 | 244 |
|      | AP200  | 7.1-90   | 40 | 55H7 | 300H7 | 350 | 400 | 6  | 16 | 59.3 | 110 | M16 | 316 |
|      | AP225  | 7.1-71   | 30 | 60H7 | 350H7 | 400 | 450 | 6  | 18 | 64.4 | 140 | M16 | 343 |
|      | AP250  | 7.1-45   | 32 | 65H7 | 450H7 | 500 | 550 | 7  | 18 | 69.4 | 140 | M16 | 361 |
|      | AP280  | 7.1-35.5 | 32 | 75H7 | 450H7 | 500 | 550 | 7  | 20 | 79.9 | 140 | M16 | 361 |
| K315 | AP160  | 10-140   | 40 | 42H7 | 250H7 | 300 | 350 | 6  | 12 | 45.3 | 110 | M16 | 234 |
|      | AP180  | 10-140   | 40 | 48H7 | 250H7 | 300 | 350 | 6  | 14 | 51.8 | 110 | M16 | 234 |
|      | AP200  | 10-112   | 40 | 55H7 | 300H7 | 350 | 400 | 6  | 16 | 59.3 | 110 | M16 | 298 |
|      | AP225  | 10-100   | 30 | 60H7 | 350H7 | 400 | 450 | 6  | 18 | 64.4 | 140 | M16 | 325 |
|      | AP250  | 10-71    | 32 | 65H7 | 450H7 | 500 | 550 | 7  | 18 | 69.4 | 140 | M16 | 343 |
|      | AP280  | 10-50    | 32 | 75H7 | 450H7 | 500 | 550 | 7  | 20 | 79.9 | 140 | M16 | 343 |
|      | AP315  | 10-31.5  | 35 | 80H7 | 550H7 | 600 | 660 | 7  | 22 | 85.4 | 170 | M20 | 447 |
| K316 | AP160  | 10-160   | 40 | 42H7 | 250H7 | 300 | 350 | 6  | 12 | 45.3 | 110 | M16 | 234 |
|      | AP180  | 10-160   | 40 | 48H7 | 250H7 | 300 | 350 | 6  | 14 | 51.8 | 110 | M16 | 234 |
|      | AP200  | 10-112   | 40 | 55H7 | 300H7 | 350 | 400 | 6  | 16 | 59.3 | 110 | M16 | 298 |
|      | AP225  | 10-112   | 30 | 60H7 | 350H7 | 400 | 450 | 6  | 18 | 64.4 | 140 | M16 | 325 |
|      | AP250  | 10-112   | 32 | 65H7 | 450H7 | 500 | 550 | 7  | 18 | 69.4 | 140 | M16 | 343 |
|      | AP280  | 10-90    | 32 | 75H7 | 450H7 | 500 | 550 | 7  | 20 | 79.9 | 140 | M16 | 343 |
|      | AP315  | 10-63    | 35 | 80H7 | 550H7 | 600 | 660 | 7  | 22 | 85.4 | 170 | M20 | 447 |
| K318 | AP160  | 71-160   | 40 | 42H7 | 250H7 | 300 | 350 | 6  | 12 | 45.3 | 110 | M16 | 234 |
|      | AP180  | 71-160   | 40 | 48H7 | 250H7 | 300 | 350 | 6  | 14 | 51.8 | 110 | M16 | 234 |
|      | AP200  | 10-140   | 40 | 55H7 | 300H7 | 350 | 400 | 6  | 16 | 59.3 | 110 | M16 | 298 |
|      | AP225  | 10-140   | 30 | 60H7 | 350H7 | 400 | 450 | 6  | 18 | 64.4 | 140 | M16 | 325 |
|      | AP250  | 10-140   | 32 | 65H7 | 450H7 | 500 | 550 | 7  | 18 | 69.4 | 140 | M16 | 343 |
|      | AP280  | 10-112   | 32 | 75H7 | 450H7 | 500 | 550 | 7  | 20 | 79.9 | 140 | M16 | 343 |
|      | AP315  | 10-100   | 35 | 80H7 | 550H7 | 600 | 660 | 7  | 22 | 85.4 | 170 | M20 | 447 |

6.2 K系列AS输入  
法兰外形尺寸图表(mm)

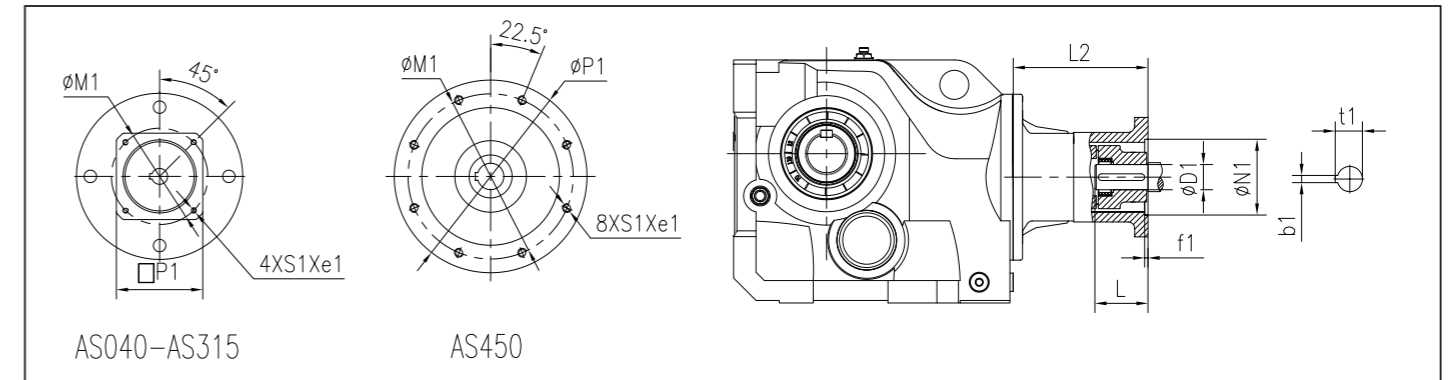
6.2 K Series Dimensions of  
AS Input Flange(mm)



| Size  | Flange | $i_N$ | e1    | D1   | N1    | M1   | P1  | f1  | b1 | t1   | L    | S1  | L2  |
|-------|--------|-------|-------|------|-------|------|-----|-----|----|------|------|-----|-----|
| K303  | AS040  | 4-100 | 4     | 8H7  | 30H7  | 46   | 78  | 4   | 2  | 9    | 25   | M4  | 70  |
|       | AS055  | 4-100 | 4     | 9H7  | 40H7  | 63   | 78  | 4   | 3  | 10.4 | 25   | M5  | 70  |
|       | AS060  | 4-100 | 10    | 14H7 | 50H7  | 70   | 60  | 4   | 5  | 16.3 | 30   | M5  | 114 |
|       | AS070  | 4-100 | 10    | 14H7 | 60H7  | 75   | 70  | 4   | 5  | 16.3 | 30   | M5  | 114 |
|       | AS080  | 4-100 | 10    | 19H7 | 70H7  | 90   | 80  | 4   | 6  | 21.8 | 35   | M6  | 120 |
|       | AS090  | 4-100 | 10    | 19H7 | 80H7  | 100  | 90  | 4   | 6  | 21.8 | 40   | M6  | 125 |
|       | AS100  | 4-56  | 14    | 19H7 | 95H7  | 115  | 100 | 4   | 6  | 21.8 | 45   | M8  | 122 |
|       | AS125  | 4-56  | 15    | 24H7 | 110H7 | 130  | 130 | 5   | 8  | 27   | 50   | M8  | 133 |
|       | AS140  | 4-56  | 15    | 24H7 | 110H7 | 145  | 130 | 5.5 | 8  | 27   | 55   | M8  | 133 |
|       | K304   | AS060 | 4-125 | 10   | 14H7  | 50H7 | 70  | 60  | 4  | 5    | 16.3 | 30  | M5  |
| AS070 |        | 4-125 | 10    | 14H7 | 60H7  | 75   | 70  | 4   | 5  | 16.3 | 30   | M5  | 116 |
| AS080 |        | 4-125 | 10    | 19H7 | 70H7  | 90   | 80  | 4   | 6  | 21.8 | 35   | M6  | 122 |
| AS090 |        | 4-125 | 10    | 19H7 | 80H7  | 100  | 90  | 4   | 6  | 21.8 | 40   | M6  | 127 |
| AS100 |        | 4-80  | 14    | 19H7 | 95H7  | 115  | 100 | 4   | 6  | 21.8 | 45   | M8  | 124 |
| AS125 |        | 4-80  | 15    | 24H7 | 110H7 | 130  | 130 | 5   | 8  | 27   | 50   | M8  | 135 |
| AS140 |        | 4-80  | 15    | 24H7 | 110H7 | 145  | 130 | 5.5 | 8  | 27   | 55   | M8  | 135 |
| K305  | AS060  | 4-112 | 10    | 14H7 | 50H7  | 70   | 60  | 4   | 5  | 16.3 | 30   | M5  | 116 |
|       | AS070  | 4-112 | 10    | 14H7 | 60H7  | 75   | 70  | 4   | 5  | 16.3 | 30   | M5  | 116 |
|       | AS080  | 4-112 | 10    | 19H7 | 70H7  | 90   | 80  | 4   | 6  | 21.8 | 35   | M6  | 122 |
|       | AS090  | 4-112 | 10    | 19H7 | 80H7  | 100  | 90  | 4   | 6  | 21.8 | 40   | M6  | 127 |
|       | AS100  | 4-63  | 14    | 19H7 | 95H7  | 115  | 100 | 4   | 6  | 21.8 | 45   | M8  | 124 |
|       | AS125  | 4-63  | 15    | 24H7 | 110H7 | 130  | 130 | 5   | 8  | 27   | 50   | M8  | 135 |
|       | AS140  | 4-63  | 15    | 24H7 | 110H7 | 145  | 130 | 5.5 | 8  | 27   | 55   | M8  | 135 |
|       | AS160  | 4-63  | 15    | 32H7 | 130H7 | 165  | 155 | 5   | 10 | 35.3 | 60   | M10 | 190 |



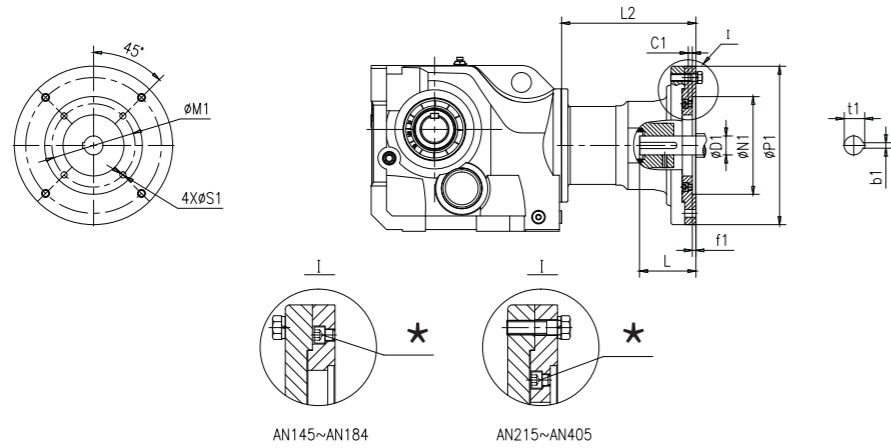
| Size  | Flange | $i_N$   | e1   | D1    | N1      | M1  | P1  | f1  | b1   | t1   | L   | S1  | L2  |
|-------|--------|---------|------|-------|---------|-----|-----|-----|------|------|-----|-----|-----|
| K306  | AS060  | 4-125   | 10   | 14H7  | 50H7    | 70  | 60  | 4   | 5    | 16.3 | 30  | M5  | 116 |
|       | AS070  | 4-125   | 10   | 14H7  | 60H7    | 75  | 70  | 4   | 5    | 16.3 | 30  | M5  | 116 |
|       | AS080  | 4-125   | 10   | 19H7  | 70H7    | 90  | 80  | 4   | 6    | 21.8 | 35  | M6  | 122 |
|       | AS090  | 4-125   | 10   | 19H7  | 80H7    | 100 | 90  | 4   | 6    | 21.8 | 40  | M6  | 127 |
|       | AS100  | 4-90    | 14   | 19H7  | 95H7    | 115 | 100 | 4   | 6    | 21.8 | 45  | M8  | 124 |
|       | AS125  | 4-90    | 15   | 24H7  | 110H7   | 130 | 130 | 5   | 8    | 27   | 50  | M8  | 135 |
|       | AS140  | 4-90    | 15   | 24H7  | 110H7   | 145 | 130 | 5.5 | 8    | 27   | 55  | M8  | 135 |
|       | AS160  | 4-90    | 15   | 32H7  | 130H7   | 165 | 155 | 5   | 10   | 35.3 | 60  | M10 | 190 |
| K307  | AS060  | 7.1-180 | 10   | 14H7  | 50H7    | 70  | 60  | 4   | 5    | 16.3 | 30  | M5  | 108 |
|       | AS070  | 7.1-180 | 10   | 14H7  | 60H7    | 75  | 70  | 4   | 5    | 16.3 | 30  | M5  | 108 |
|       | AS080  | 7.1-180 | 10   | 19H7  | 70H7    | 90  | 80  | 4   | 6    | 21.8 | 35  | M6  | 114 |
|       | AS090  | 7.1-180 | 10   | 19H7  | 80H7    | 100 | 90  | 4   | 6    | 21.8 | 40  | M6  | 119 |
|       | AS100  | 7.1-112 | 14   | 19H7  | 95H7    | 115 | 100 | 4   | 6    | 21.8 | 45  | M8  | 116 |
|       | AS125  | 7.1-112 | 15   | 24H7  | 110H7   | 130 | 130 | 5   | 8    | 27   | 50  | M8  | 127 |
|       | AS140  | 7.1-112 | 15   | 24H7  | 110H7   | 145 | 130 | 5.5 | 8    | 27   | 55  | M8  | 127 |
|       | AS160  | 7.1-112 | 15   | 32H7  | 130H7   | 165 | 155 | 5   | 10   | 35.3 | 60  | M10 | 180 |
|       | AS180  | 7.1-50  | 16   | 35H7  | 114.3H7 | 200 | 180 | 7   | 10   | 38.3 | 80  | M12 | 210 |
|       | AS190  | 7.1-50  | 18   | 38H7  | 180H7   | 215 | 190 | 5   | 10   | 41.3 | 80  | M12 | 210 |
| AS240 | 7.1-50 | 28      | 38H7 | 230H7 | 265     | 240 | 5   | 10  | 41.3 | 80   | M12 | 210 |     |
| K308  | AS070  | 90-180  | 10   | 14H7  | 60H7    | 75  | 70  | 4   | 5    | 16.3 | 30  | M5  | 105 |
|       | AS080  | 90-180  | 10   | 19H7  | 70H7    | 90  | 80  | 4   | 6    | 21.8 | 35  | M6  | 111 |
|       | AS090  | 90-180  | 10   | 19H7  | 80H7    | 100 | 90  | 4   | 6    | 21.8 | 40  | M6  | 116 |
|       | AS100  | 7.1-160 | 14   | 19H7  | 95H7    | 115 | 100 | 4   | 6    | 21.8 | 45  | M8  | 113 |
|       | AS125  | 7.1-160 | 15   | 24H7  | 110H7   | 130 | 130 | 5   | 8    | 27   | 50  | M8  | 124 |
|       | AS140  | 7.1-160 | 15   | 24H7  | 110H7   | 145 | 130 | 5.5 | 8    | 27   | 55  | M8  | 124 |
|       | AS160  | 7.1-160 | 15   | 32H7  | 130H7   | 165 | 155 | 5   | 10   | 35.3 | 60  | M10 | 170 |
|       | AS180  | 7.1-80  | 16   | 35H7  | 114.3H7 | 200 | 180 | 7   | 10   | 38.3 | 80  | M12 | 203 |
|       | AS190  | 7.1-80  | 18   | 38H7  | 180H7   | 215 | 190 | 5   | 10   | 41.3 | 80  | M12 | 203 |
|       | AS240  | 7.1-80  | 28   | 38H7  | 230H7   | 265 | 240 | 5   | 10   | 41.3 | 80  | M12 | 203 |
| AS260 | 7.1-80 | 40      | 48H7 | 250H7 | 200     | 260 | 6   | 14  | 51.8 | 110  | M16 | 272 |     |



| Size | Flange | $i_N$   | e1 | D1   | N1      | M1  | P1  | f1 | b1 | t1   | L   | S1  | L2  |
|------|--------|---------|----|------|---------|-----|-----|----|----|------|-----|-----|-----|
| K309 | AS160  | 7.1-180 | 15 | 32H7 | 130H7   | 165 | 155 | 5  | 10 | 35.3 | 60  | M10 | 171 |
|      | AS180  | 7.1-112 | 16 | 35H7 | 114.3H7 | 200 | 180 | 7  | 10 | 38.3 | 80  | M12 | 202 |
|      | AS190  | 7.1-112 | 18 | 38H7 | 180H7   | 215 | 190 | 5  | 10 | 41.3 | 80  | M12 | 202 |
|      | AS240  | 7.1-112 | 28 | 38H7 | 230H7   | 265 | 240 | 5  | 10 | 41.3 | 80  | M12 | 202 |
|      | AS260  | 7.1-112 | 40 | 48H7 | 250H7   | 300 | 260 | 6  | 14 | 51.8 | 110 | M16 | 271 |
|      | AS315  | 7.1-28  | 40 | 55H7 | 300H7   | 350 | 315 | 6  | 16 | 59.3 | 110 | M16 | 327 |
| K310 | AS160  | 8-180   | 15 | 32H7 | 130H7   | 165 | 155 | 5  | 10 | 35.3 | 60  | M10 | 161 |
|      | AS180  | 8-125   | 16 | 35H7 | 114.3H7 | 200 | 180 | 7  | 10 | 38.3 | 80  | M12 | 189 |
|      | AS190  | 8-125   | 18 | 38H7 | 180H7   | 215 | 190 | 5  | 10 | 41.3 | 80  | M12 | 189 |
|      | AS240  | 8-125   | 28 | 38H7 | 230H7   | 265 | 240 | 5  | 10 | 41.3 | 80  | M12 | 189 |
|      | AS260  | 8-125   | 40 | 48H7 | 250H7   | 300 | 260 | 6  | 14 | 51.8 | 110 | M16 | 258 |
| K312 | AS315  | 8-100   | 40 | 55H7 | 300H7   | 350 | 315 | 6  | 16 | 59.3 | 110 | M16 | 327 |
|      | AS180  | 7.1-140 | 16 | 35H7 | 114.3H7 | 200 | 180 | 7  | 10 | 38.3 | 80  | M12 | 175 |
|      | AS190  | 7.1-140 | 18 | 38H7 | 180H7   | 215 | 190 | 5  | 10 | 41.3 | 80  | M12 | 175 |
|      | AS240  | 7.1-140 | 28 | 38H7 | 230H7   | 265 | 240 | 5  | 10 | 41.3 | 80  | M12 | 175 |
|      | AS260  | 7.1-140 | 40 | 48H7 | 250H7   | 300 | 260 | 6  | 14 | 51.8 | 110 | M16 | 244 |
|      | AS315  | 7.1-112 | 40 | 55H7 | 300H7   | 350 | 315 | 6  | 16 | 59.3 | 110 | M16 | 316 |
| K315 | AS450  | 7.1-90  | 30 | 55H7 | 350H7   | 400 | 450 | 6  | 16 | 59.3 | 140 | M16 | 343 |
|      | AS260  | 10-140  | 40 | 48H7 | 250H7   | 300 | 260 | 6  | 14 | 51.8 | 110 | M16 | 234 |
|      | AS315  | 10-112  | 40 | 55H7 | 300H7   | 350 | 315 | 6  | 16 | 59.3 | 110 | M16 | 298 |
| K316 | AS450  | 10-90   | 30 | 55H7 | 350H7   | 400 | 450 | 6  | 16 | 59.3 | 140 | M16 | 325 |
|      | AS260  | 10-160  | 40 | 48H7 | 250H7   | 300 | 260 | 6  | 14 | 51.8 | 110 | M16 | 234 |
| K318 | AS315  | 10-112  | 40 | 55H7 | 300H7   | 350 | 315 | 6  | 16 | 59.3 | 110 | M16 | 298 |
|      | AS450  | 10-90   | 30 | 55H7 | 350H7   | 400 | 450 | 6  | 16 | 59.3 | 140 | M16 | 325 |
|      | AS260  | 71-160  | 40 | 48H7 | 250H7   | 300 | 260 | 6  | 14 | 51.8 | 110 | M16 | 234 |

6.3 K系列AN连接  
法兰尺寸(mm)

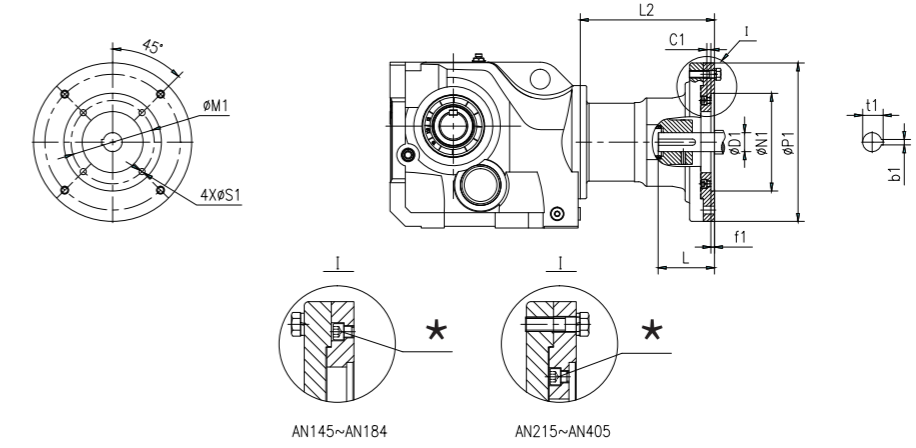
6.3 K Series Dimensions of  
AN Input Flange(mm)



| Size  | AN flange | NEMA size | NEMA Power (hp) | IEC power (kW) | c1       | D1       | N1      | M1     | P1  | f1   | b1   | t1     | L     | S1   | L2    |
|-------|-----------|-----------|-----------------|----------------|----------|----------|---------|--------|-----|------|------|--------|-------|------|-------|
| K303  | AN145     | 143TC     | 1/1.5           | 0.75/1.1       | 6        | 22.225H7 | 114.3H7 | 149.2  | 200 | 5    | 4.76 | 24.7   | 58.04 | 11   | 92    |
|       |           | 145TC     | 2               | 1.5            |          |          |         |        |     |      |      |        |       |      |       |
| K304  | AN145     | 143TC     | 1/1.5           | 0.75/1.1       | 6        | 22.225H7 | 114.3H7 | 149.2  | 200 | 5    | 4.76 | 24.7   | 58.04 | 11   | 94    |
|       |           | 145TC     | 2               | 1.5            |          |          |         |        |     |      |      |        |       |      |       |
|       | AN184     | 182TC     | 3               | 2.2            | 8        | 28.575H7 | 215.9H7 | 184.2  | 250 | 8    | 6.35 | 31.7   | 73.03 | 13.5 | 220.5 |
|       |           | 184TC     | 5               | 4              |          |          |         |        |     |      |      |        |       |      |       |
| K305  | AN145     | 143TC     | 1/1.5           | 0.75/1.1       | 6        | 22.225H7 | 114.3H7 | 149.2  | 200 | 5    | 4.76 | 24.7   | 58.04 | 11   | 94    |
|       |           | 145TC     | 2               | 1.5            |          |          |         |        |     |      |      |        |       |      |       |
|       | AN184     | 182TC     | 3               | 2.2            | 8        | 28.575H7 | 215.9H7 | 184.2  | 250 | 8    | 6.35 | 31.7   | 73.03 | 13.5 | 220.5 |
| 184TC | 5         | 4         |                 |                |          |          |         |        |     |      |      |        |       |      |       |
| K306  | AN145     | 143TC     | 1/1.5           | 0.75/1.1       | 6        | 22.225H7 | 114.3H7 | 149.2  | 200 | 5    | 4.76 | 24.7   | 58.04 | 11   | 94    |
|       |           | 145TC     | 2               | 1.5            |          |          |         |        |     |      |      |        |       |      |       |
|       | AN184     | 182TC     | 3               | 2.2            | 8        | 28.925H7 | 215.9H7 | 184.2  | 250 | 8    | 6.35 | 31.7   | 73.3  | 13.5 | 220.5 |
|       |           | 184TC     | 5               | 4              |          |          |         |        |     |      |      |        |       |      |       |
|       |           | AN215     | 213TC           | 7.5            |          |          |         |        |     |      |      |        |       |      |       |
| 215TC | 10        | 7.5       |                 |                |          |          |         |        |     |      |      |        |       |      |       |
| K307  | AN145     | 143TC     | 1/1.5           | 0.75/1.1       | 6        | 22.225H7 | 114.3H7 | 149.2  | 200 | 5    | 4.76 | 24.7   | 58.04 | 11   | 86    |
|       |           | 145TC     | 2               | 1.5            |          |          |         |        |     |      |      |        |       |      |       |
|       | AN184     | 182TC     | 3               | 2.2            | 8        | 28.575H7 | 215.9H7 | 184.2  | 250 | 8    | 6.35 | 31.7   | 73.03 | 13.5 | 210.5 |
|       |           | 184TC     | 5               | 4              |          |          |         |        |     |      |      |        |       |      |       |
|       |           | AN215     | 213TC           | 7.5            |          |          |         |        |     |      |      |        |       |      |       |
| 215TC | 10        | 7.5       |                 |                |          |          |         |        |     |      |      |        |       |      |       |
| K308  | AN145     | 143TC     | 1/1.5           | 0.75/1.1       | 6        | 22.225H7 | 114.3H7 | 149.2  | 200 | 5    | 4.76 | 24.7   | 58.04 | 11   | 83    |
|       |           | 145TC     | 2               | 1.5            |          |          |         |        |     |      |      |        |       |      |       |
|       | AN184     | 182TC     | 3               | 2.2            | 8        | 28.575H7 | 215.9H7 | 184.2  | 250 | 8    | 6.35 | 31.7   | 73.03 | 13.5 | 200.5 |
|       |           | 184TC     | 5               | 4              |          |          |         |        |     |      |      |        |       |      |       |
|       |           | AN215     | 213TC           | 7.5            |          |          |         |        |     |      |      |        |       |      |       |
|       | 215TC     | 10        | 7.5             |                |          |          |         |        |     |      |      |        |       |      |       |
| AN256 | 254TC     | 15        | 11              | 9              | 41.275H7 | 215.9H7  | 184.15  | 350    | 8   | 9.53 | 45.8 | 101.6  | 13.5  | 297  |       |
|       | 256TC     | 20        | 15              |                |          |          |         |        |     |      |      |        |       |      |       |
| K309  | AN184     | 182TC     | 3               | 2.2            | 8        | 28.575H7 | 215.9H7 | 184.2  | 250 | 8    | 6.35 | 31.7   | 73.03 | 13.5 | 201.5 |
|       |           | 184TC     | 5               | 4              |          |          |         |        |     |      |      |        |       |      |       |
|       |           | AN215     | 213TC           | 7.5            |          |          |         |        |     |      |      |        |       |      |       |
|       | 215TC     | 10        | 7.5             |                |          |          |         |        |     |      |      |        |       |      |       |
|       | AN256     | 254TC     | 15              | 11             | 9        | 41.275H7 | 215.9H7 | 184.15 | 350 | 8    | 9.53 | 45.8   | 101.6 | 13.5 | 296   |
| 256TC |           | 20        | 15              |                |          |          |         |        |     |      |      |        |       |      |       |
| AN286 | 284TC     | 25        | 18.5            | 9              | 47.625H7 | 266.7H7  | 228.6   | 400    | 8   | 12.7 | 53.4 | 117.48 | 13.5  | 352  |       |
|       | 286TC     | 30        | 22              |                |          |          |         |        |     |      |      |        |       |      |       |

★ 客户自配

★ Provided by customer



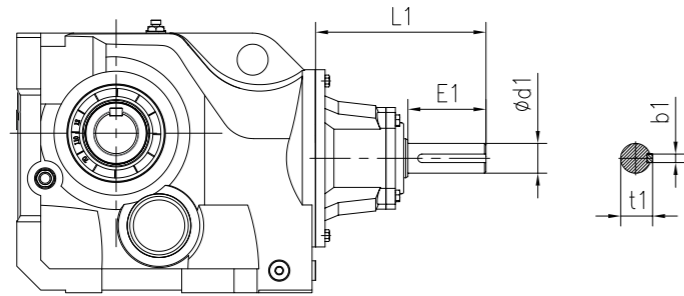
| Size   | AN flange | NEMA size | NEMA Power (hp) | IEC power (kW) | c1       | D1       | N1      | M1     | P1  | f1   | b1    | t1     | L      | S1   | L2    |     |      |          |         |        |     |   |       |      |        |      |     |
|--------|-----------|-----------|-----------------|----------------|----------|----------|---------|--------|-----|------|-------|--------|--------|------|-------|-----|------|----------|---------|--------|-----|---|-------|------|--------|------|-----|
| K310   | AN 184    | 182TC     | 3               | 2.2            | 8        | 28.575H7 | 215.9H7 | 184.2  | 250 | 8    | 6.35  | 31.7   | 73.03  | 13.5 | 191.5 |     |      |          |         |        |     |   |       |      |        |      |     |
|        |           | 184TC     | 5               | 4              |          |          |         |        |     |      |       |        |        |      |       |     |      |          |         |        |     |   |       |      |        |      |     |
|        | AN 215    | 213TC     | 7.5             | 5.5            | 9        | 34.925H7 | 215.9H7 | 184.15 | 300 | 8    | 7.94  | 38.7   | 85.73  | 13.5 | 214   |     |      |          |         |        |     |   |       |      |        |      |     |
|        |           | 215TC     | 10              | 7.5            |          |          |         |        |     |      |       |        |        |      |       |     |      |          |         |        |     |   |       |      |        |      |     |
|        | AN 256    | 254TC     | 15              | 11             | 9        | 41.275H7 | 215.9H7 | 184.15 | 350 | 8    | 9.53  | 45.8   | 101.6  | 13.5 | 283   |     |      |          |         |        |     |   |       |      |        |      |     |
|        |           | 256TC     | 20              | 15             |          |          |         |        |     |      |       |        |        |      |       |     |      |          |         |        |     |   |       |      |        |      |     |
| AN 286 | 284TC     | 25        | 18.5            | 9              | 47.625H7 | 266.7H7  | 228.6   | 400    | 8   | 12.7 | 53.4  | 117.48 | 13.5   | 252  |       |     |      |          |         |        |     |   |       |      |        |      |     |
|        | 286TC     | 30        | 22              |                |          |          |         |        |     |      |       |        |        |      |       |     |      |          |         |        |     |   |       |      |        |      |     |
| K312   | AN 326    | 324TC     | 40              | 30             | 9.5      | 53.975H7 | 317.5H7 | 279.4  | 450 | 8    | 12.7  | 60     | 133.35 | 17.5 | 384   |     |      |          |         |        |     |   |       |      |        |      |     |
|        |           | 326TC     | 50              | 37             |          |          |         |        |     |      |       |        |        |      |       |     |      |          |         |        |     |   |       |      |        |      |     |
|        | AN 365    | 364TC     | 60              | 45             | 24.5     | 60.325H7 | 317.5H7 | 279.4  | 450 | 8    | 15.88 | 67.6   | 149.23 | 17.5 | 399   |     |      |          |         |        |     |   |       |      |        |      |     |
|        |           | 365TC     | 75              | 55             |          |          |         |        |     |      |       |        |        |      |       |     |      |          |         |        |     |   |       |      |        |      |     |
|        |           | AN 215    | 213TC           | 7.5            |          |          |         |        |     |      |       |        |        |      |       | 5.5 | 9    | 34.925H7 | 215.9H7 | 184.15 | 300 | 8 | 7.94  | 38.7 | 85.73  | 13.5 | 200 |
| 215TC  | 10        | 7.5       |                 |                |          |          |         |        |     |      |       |        |        |      |       |     |      |          |         |        |     |   |       |      |        |      |     |
| K315   | AN 256    | 254TC     | 15              | 11             | 9        | 41.275H7 | 215.9H7 | 184.15 | 350 | 8    | 9.53  | 45.8   | 101.6  | 13.5 | 269   |     |      |          |         |        |     |   |       |      |        |      |     |
|        |           | 256TC     | 20              | 15             |          |          |         |        |     |      |       |        |        |      |       |     |      |          |         |        |     |   |       |      |        |      |     |
|        | AN 286    | 284TC     | 25              | 18.5           | 9        | 47.625H7 | 266.7H7 | 228.6  | 400 | 8    | 12.7  | 53.4   | 117.48 | 13.5 | 341   |     |      |          |         |        |     |   |       |      |        |      |     |
|        |           | 286TC     | 30              | 22             |          |          |         |        |     |      |       |        |        |      |       |     |      |          |         |        |     |   |       |      |        |      |     |
|        |           | AN 326    | 324TC           | 40             |          |          |         |        |     |      |       |        |        |      |       | 30  | 9.5  | 53.975H7 | 317.5H7 | 279.4  | 450 | 8 | 12.7  | 60   | 133.35 | 17.5 | 373 |
| 326TC  | 50        | 37        |                 |                |          |          |         |        |     |      |       |        |        |      |       |     |      |          |         |        |     |   |       |      |        |      |     |
| K316   | AN 365    | 364TC     | 60              | 45             | 24.5     | 60.325H7 | 317.5H7 | 279.4  | 450 | 8    | 15.88 | 67.6   | 149.23 | 17.5 | 388   |     |      |          |         |        |     |   |       |      |        |      |     |
|        |           | 365TC     | 75              | 55             |          |          |         |        |     |      |       |        |        |      |       |     |      |          |         |        |     |   |       |      |        |      |     |
|        | AN 405    | 405TC     | 100             | 75             | 64.5     | 73.025H7 | 317.5H7 | 279.4  | 450 | 8    | 19.05 | 81.9   | 184.15 | 17.5 | 433   |     |      |          |         |        |     |   |       |      |        |      |     |
|        |           | AN 256    | 254TC           | 15             |          |          |         |        |     |      |       |        |        |      |       | 11  | 9    | 41.275H7 | 215.9H7 | 184.15 | 350 | 8 | 9.53  | 45.8 | 101.6  | 13.5 | 259 |
|        |           | 256TC     | 20              | 15             |          |          |         |        |     |      |       |        |        |      |       |     |      |          |         |        |     |   |       |      |        |      |     |
| AN 286 | 284TC     | 25        | 18.5            | 9              | 47.625H7 | 266.7H7  | 228.6   | 400    | 8   | 12.7 | 53.4  | 117.48 | 13.5   | 323  |       |     |      |          |         |        |     |   |       |      |        |      |     |
|        | 286TC     | 30        | 22              |                |          |          |         |        |     |      |       |        |        |      |       |     |      |          |         |        |     |   |       |      |        |      |     |
| K318   | AN 326    | 324TC     | 40              | 30             | 9.5      | 53.975H7 | 317.5H7 | 279.4  | 450 | 8    | 12.7  | 60     | 133.35 | 17.5 | 355   |     |      |          |         |        |     |   |       |      |        |      |     |
|        |           | 326TC     | 50              | 37             |          |          |         |        |     |      |       |        |        |      |       |     |      |          |         |        |     |   |       |      |        |      |     |
|        | AN 365    | 364TC     | 60              | 45             | 24.5     | 60.325H7 | 317.5H7 | 279.4  | 450 | 8    | 15.88 | 67.6   | 149.23 | 17.5 | 370   |     |      |          |         |        |     |   |       |      |        |      |     |
|        |           | 365TC     | 75              | 55             |          |          |         |        |     |      |       |        |        |      |       |     |      |          |         |        |     |   |       |      |        |      |     |
|        |           | AN 405    | 405TC           | 100            |          |          |         |        |     |      |       |        |        |      |       | 75  | 64.5 | 73.025H7 | 317.5H7 | 279.4  | 450 | 8 | 19.05 | 81.9 | 184.15 | 17.5 | 415 |
| AN 256 | 254TC     | 15        | 11              | 9              | 41.275H7 | 215.9H7  | 184.15  | 350    | 8   | 9.53 | 45.8  | 101.6  | 13.5   | 259  |       |     |      |          |         |        |     |   |       |      |        |      |     |
| 256TC  | 20        | 15        |                 |                |          |          |         |        |     |      |       |        |        |      |       |     |      |          |         |        |     |   |       |      |        |      |     |
| AN 286 | 284TC     | 25        | 18.5            | 9              | 47.625H7 | 266.7H7  | 228.6   | 400    | 8   | 12.7 | 53.4  | 117.48 | 13.5   | 323  |       |     |      |          |         |        |     |   |       |      |        |      |     |
|        | 286TC     | 30        | 22              |                |          |          |         |        |     |      |       |        |        |      |       |     |      |          |         |        |     |   |       |      |        |      |     |
| K318   | AN 326    | 324TC     | 40              | 30             | 9.5      | 53.975H7 | 317.5H7 | 279.4  | 450 | 8    | 12.7  | 60     | 133.35 | 17.5 | 355   |     |      |          |         |        |     |   |       |      |        |      |     |
|        |           | 326TC     | 50              | 37             |          |          |         |        |     |      |       |        |        |      |       |     |      |          |         |        |     |   |       |      |        |      |     |
|        | AN 365    | 364TC     | 60              | 45             | 24.5     | 60.325H7 | 317.5H7 | 279.4  | 450 | 8    | 15.88 | 67.6   | 149.23 | 17.5 | 370   |     |      |          |         |        |     |   |       |      |        |      |     |
|        |           | 365TC     | 75              | 55             |          |          |         |        |     |      |       |        |        |      |       |     |      |          |         |        |     |   |       |      |        |      |     |
|        |           | AN 405    | 405TC           | 100            |          |          |         |        |     |      |       |        |        |      |       | 75  | 64.5 | 73.025H7 | 317.5H7 | 279.4  | 450 | 8 | 19.05 | 81.9 | 184.15 | 17.5 | 415 |
| AN 256 | 254TC     | 15        | 11              | 9              | 41.275H7 | 215.9H7  | 184.15  | 350    | 8   | 9.53 | 45.8  | 101.6  | 13.5   | 259  |       |     |      |          |         |        |     |   |       |      |        |      |     |
| 256TC  | 20        | 15        |                 |                |          |          |         |        |     |      |       |        |        |      |       |     |      |          |         |        |     |   |       |      |        |      |     |
| AN 286 | 284TC     | 25        | 18.5            | 9              | 47.625H7 | 266.7H7  | 228.6   | 400    | 8   | 12.7 | 53.4  | 117.48 | 13.5   | 323  |       |     |      |          |         |        |     |   |       |      |        |      |     |
|        | 286TC     | 30        | 22              |                |          |          |         |        |     |      |       |        |        |      |       |     |      |          |         |        |     |   |       |      |        |      |     |

★ 客户自配

★ Provided by customer

6.4 K系列AE输入轴外形尺寸(mm)

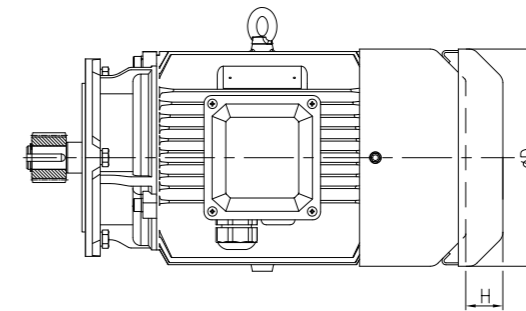
6.4 K Series Dimensions of AE Input Shaft(mm)



| Size | Input Shaft | P <sub>1</sub> (kW) | i <sub>N</sub> | d1   | E1  | L1  | b1 | t1   |
|------|-------------|---------------------|----------------|------|-----|-----|----|------|
| K303 | AE2         | 0.12-0.75           | 4-100          | 19k6 | 40  | 117 | 6  | 21.5 |
| K304 | AE2         | 0.12-0.75           | 4-125          | 19k6 | 40  | 119 | 6  | 21.5 |
|      | AE3         | 1.1-4               | 4-50           | 28k6 | 60  | 175 | 8  | 31   |
| K305 | AE2         | 0.12-0.75           | 4-112          | 19k6 | 40  | 119 | 6  | 21.5 |
|      | AE3         | 1.1-4               | 4-63           | 28k6 | 60  | 175 | 8  | 31   |
| K306 | AE2         | 0.12-0.75           | 4-125          | 19k6 | 40  | 119 | 6  | 21.5 |
|      | AE3         | 1.1-4               | 4-90           | 28k6 | 60  | 175 | 8  | 31   |
|      | AE4         | 5.5-7.5             | 4-31.5         | 38k6 | 80  | 221 | 10 | 41   |
| K307 | AE2         | 0.12-0.75           | 7.1-180        | 19k6 | 40  | 111 | 6  | 21.5 |
|      | AE3         | 1.1-4               | 7.1-112        | 28k6 | 60  | 165 | 8  | 31   |
|      | AE4         | 5.5-7.5             | 7.1-40         | 38k6 | 80  | 211 | 10 | 41   |
| K308 | AE2         | 0.12-0.75           | 90-180         | 19k6 | 40  | 108 | 6  | 21.5 |
|      | AE3         | 1.1-4               | 7.1-160        | 28k6 | 60  | 155 | 8  | 31   |
|      | AE4         | 5.5-11              | 7.1-71         | 38k6 | 80  | 204 | 10 | 41   |
|      | AE5         | 15-22               | 7.1-35.5       | 42k6 | 110 | 266 | 12 | 45   |
| K309 | AE3         | 30-45               | 7.1-180        | 28k6 | 60  | 156 | 8  | 31   |
|      | AE4         | 5.5-11              | 7.1-112        | 38k6 | 80  | 203 | 10 | 41   |
|      | AE5         | 15-22               | 7.1-63         | 42k6 | 110 | 256 | 12 | 45   |
|      | AE6         | 30-45               | 7.1-28         | 48k6 | 110 | 309 | 14 | 51.5 |
| K310 | AE3         | 1.1-4               | 8-180          | 28k6 | 60  | 146 | 8  | 31   |
|      | AE4         | 5.5-11              | 8-125          | 38k6 | 80  | 190 | 10 | 41   |
|      | AE5         | 15-22               | 8-112          | 42k6 | 110 | 252 | 12 | 45   |
|      | AE6         | 30-45               | 8-50           | 48k6 | 110 | 309 | 14 | 51.5 |
| K312 | AE4         | 5.5-11              | 7.1-140        | 38k6 | 80  | 176 | 10 | 41   |
|      | AE5         | 15-22               | 7.1-140        | 42k6 | 110 | 238 | 12 | 45   |
|      | AE6         | 30-45               | 7.1-90         | 48k6 | 110 | 298 | 14 | 51.5 |
|      | AE7         | 55-90               | 7.1-45         | 55k6 | 110 | 297 | 16 | 59   |
|      | AE8         | 110-200             | 7.1-25         | 70k6 | 140 | 377 | 20 | 74.5 |
| K315 | AE5         | 15-22               | 10-140         | 42k6 | 110 | 228 | 12 | 45   |
|      | AE6         | 30-45               | 10-112         | 48k6 | 110 | 280 | 14 | 51.5 |
|      | AE7         | 55-90               | 10-71          | 55k6 | 110 | 279 | 16 | 59   |
|      | AE8         | 110-200             | 10-31.5        | 70k6 | 140 | 361 | 20 | 74.5 |
| K316 | AE5         | 15-22               | 10-160         | 42k6 | 110 | 228 | 12 | 45   |
|      | AE6         | 30-45               | 10-112         | 48k6 | 110 | 280 | 14 | 51.5 |
|      | AE7         | 55-90               | 10-112         | 55k6 | 110 | 279 | 16 | 59   |
|      | AE8         | 110-200             | 10-63          | 70k6 | 140 | 361 | 20 | 74.5 |
| K318 | AE5         | 15-22               | 71-160         | 42k6 | 110 | 228 | 12 | 45   |
|      | AE6         | 30-45               | 10-140         | 48k6 | 110 | 280 | 14 | 51.5 |
|      | AE7         | 55-90               | 10-140         | 55k6 | 110 | 279 | 16 | 59   |
|      | AE8         | 110-200             | 10-100         | 70k6 | 140 | 361 | 20 | 74.5 |

7 马达防雨罩尺寸(mm)

7 Motor Rainproof Cover (mm)

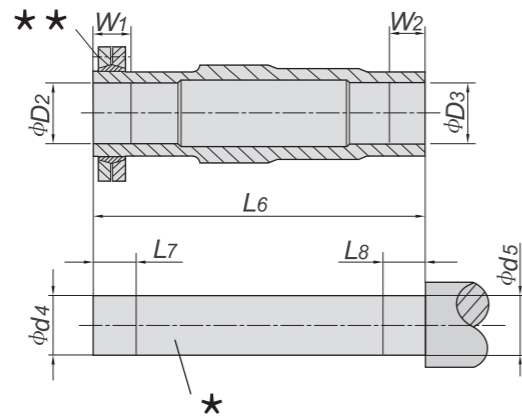


| 机座号 Size | H63 | H71 | H80 | H90 | H100 | H112 | H132 | H160 | H180 | H200 | H225 | H250 | H280 |
|----------|-----|-----|-----|-----|------|------|------|------|------|------|------|------|------|
| D        | 124 | 139 | 159 | 176 | 199  | 220  | 259  | 314  | 356  | 398  | 446  | 485  | 547  |
| H        | 25  | 30  | 30  | 35  | 40   | 40   | 40   | 60   | 60   | 70   | 70   | 80   | 80   |

8 被驱动轴推荐尺寸(mm) 8 Recommended Dimensions for Driven Equipment Shaft (mm)

8.1 锁紧盘

8.1 Shrink Disk



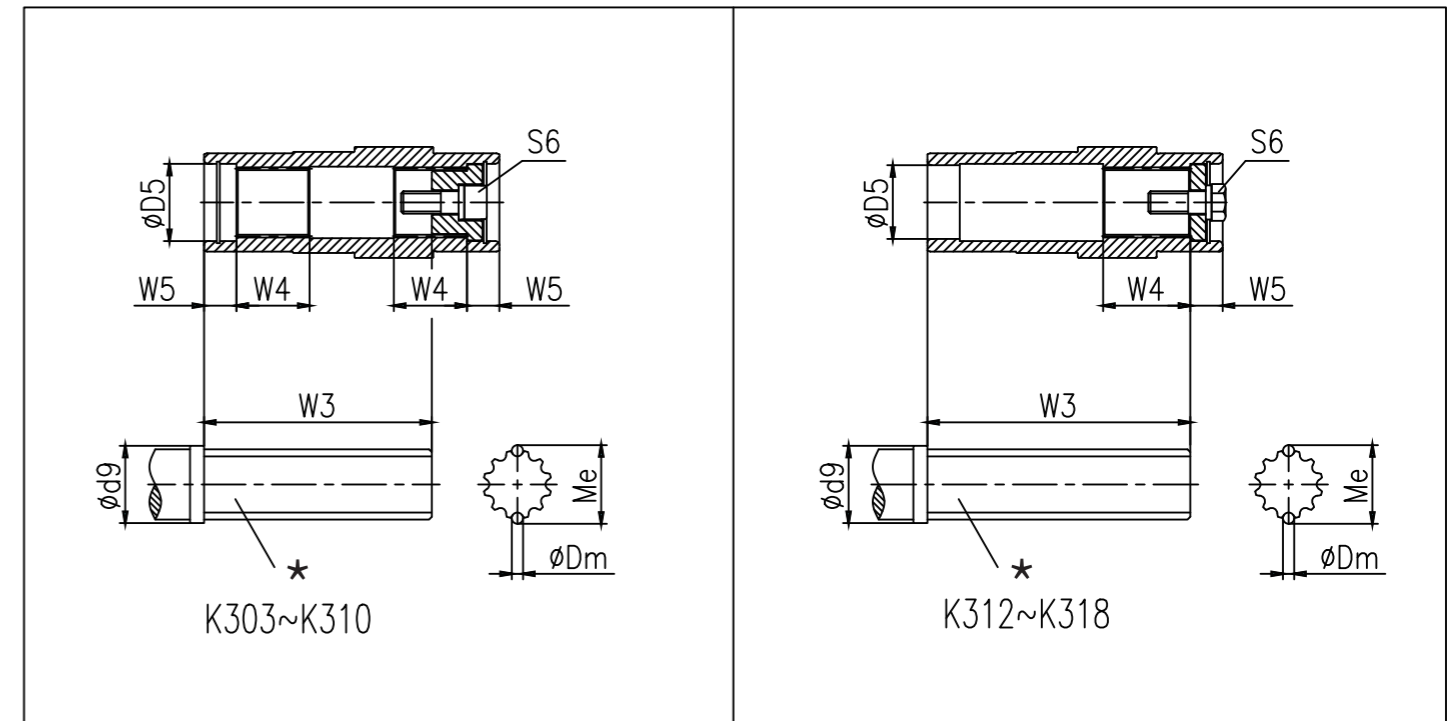
| 规格 Size | D2    | D3    | d4    | d5    | L6  | L7  | L8  | W1  | W2 | 型号 Type     | 锁紧盘 Shrink Disk 螺栓 Bolt | 锁紧盘 Shrink Disk 重量(kg) Weight (kg) |
|---------|-------|-------|-------|-------|-----|-----|-----|-----|----|-------------|-------------------------|------------------------------------|
| K303    | 30H7  | 30H7  | 30h6  | 30h6  | 146 | 35  | 25  | 30  | 20 | SP2-44×80   | M6                      | 0.6                                |
| K304    | 35H7  | 35H7  | 35h6  | 35h6  | 177 | 35  | 25  | 30  | 20 | SP2-44×80   | M6                      | 0.6                                |
| K305    | 40H7  | 40H7  | 40h6  | 40h6  | 195 | 40  | 30  | 35  | 25 | SP2-50×90   | M6                      | 0.8                                |
| K306    | 40H7  | 40H7  | 40h6  | 40h6  | 208 | 43  | 25  | 38  | 20 | SP2-50×90   | M6                      | 0.8                                |
| K307    | 50H7  | 50H7  | 50h6  | 50h6  | 241 | 41  | 35  | 36  | 30 | SP2-62×110  | M6                      | 1.3                                |
| K308    | 65H7  | 65H7  | 65h6  | 65h6  | 281 | 46  | 45  | 41  | 40 | SP2-80×145  | M8                      | 1.9                                |
| K309    | 75H7  | 75H7  | 75h6  | 75h6  | 345 | 60  | 55  | 55  | 50 | SP2-90×155  | M8                      | 3.3                                |
| K310    | 95H7  | 95H7  | 95h6  | 95h6  | 405 | 75  | 70  | 65  | 60 | SP2-110×185 | M10                     | 5.9                                |
| K312    | 105H7 | 105H7 | 105h6 | 105h6 | 485 | 95  | 80  | 85  | 70 | SP2-140×230 | M12                     | 10                                 |
| K315    | 125H7 | 125H7 | 125h6 | 125h6 | 580 | 100 | 87  | 90  | 77 | SP2-155×263 | M12                     | 15                                 |
| K316    | 135H7 | 140H7 | 135h6 | 140h6 | 728 | 130 | 100 | 122 | 90 | SP2-175×300 | M16                     | 22                                 |
| K318    | 155H7 | 160H7 | 155h6 | 160h6 | 790 | 130 | 105 | 119 | 95 | SP2-195×350 | M16                     | 41                                 |

\* 被驱动轴  
\*\* 螺栓

\* Driven Equipment Shaft  
\*\* Driven Equipment Shaft

8.2 花键轴

8.2 Involute Spline



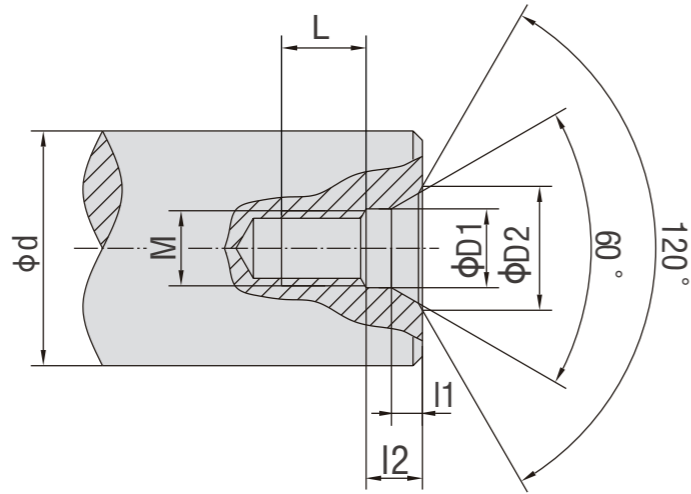
| Size | D5  | Dm   | d9  | Me     | W3  | W4  | W5 | S6     |
|------|-----|------|-----|--------|-----|-----|----|--------|
| k303 | 37  | 2.75 | 42  | 33.03  | 85  | 25  | 18 | M10×30 |
| k304 | 37  | 4    | 42  | 38.92  | 115 | 32  | 18 | M10×30 |
| k305 | 42  | 4    | 47  | 38.92  | 125 | 42  | 25 | M16×40 |
| k306 | 42  | 4    | 47  | 38.92  | 140 | 42  | 25 | M16×40 |
| k307 | 55  | 4    | 62  | 54.13  | 160 | 52  | 23 | M16×50 |
| k308 | 72  | 4    | 82  | 68.96  | 180 | 62  | 25 | M20×60 |
| k309 | 72  | 4    | 90  | 74.15  | 240 | 72  | 25 | M24×60 |
| k310 | 90  | 6    | 105 | 91     | 290 | 89  | 26 | M24×60 |
| k312 | 100 | 6    | 120 | 101.05 | 380 | 92  | 28 | M24×60 |
| k315 | 120 | 6    | 140 | 125.99 | 468 | 107 | 30 | M24×70 |
| k316 | 145 | 6    | 165 | 146.06 | 585 | 128 | 23 | M30×80 |
| K318 | 155 | 6    | 175 | 146.06 | 650 | 128 | 23 | M30×80 |

\* 被驱动轴

\* Driven Equipment Shaft

9 轴端C型螺纹中心孔

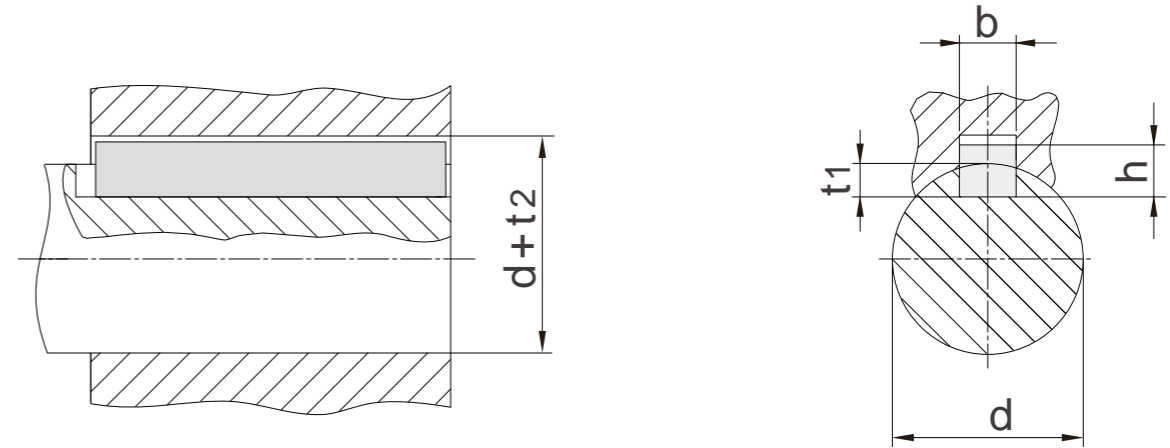
9 Type C screw central hole in shaft end



| d             | M   | L  | l2  | l1  | D1   | D2   |
|---------------|-----|----|-----|-----|------|------|
| 7 < d ≤ 10    | M3  | 10 | 2.6 | 1.8 | 3.2  | 5.8  |
| 10 < d ≤ 13   | M4  | 10 | 3.2 | 2.1 | 4.3  | 7.4  |
| 13 < d ≤ 16   | M5  | 10 | 4   | 2.4 | 5.3  | 8.8  |
| 16 < d ≤ 21   | M6  | 12 | 5   | 2.8 | 6.4  | 10.5 |
| 21 < d ≤ 24   | M8  | 12 | 6   | 3.3 | 8.4  | 13.2 |
| 24 < d ≤ 30   | M10 | 15 | 7.5 | 3.8 | 10.5 | 16.3 |
| 30 < d ≤ 38   | M12 | 20 | 9.5 | 4.4 | 13   | 19.8 |
| 38 < d ≤ 50   | M16 | 25 | 12  | 5.2 | 17   | 25.3 |
| 50 < d ≤ 85   | M20 | 30 | 15  | 6.4 | 21   | 31.3 |
| 85 < d ≤ 130  | M24 | 35 | 18  | 8   | 25   | 38   |
| 130 < d ≤ 225 | M30 | 45 | 18  | 11  | 31   | 48   |

10 平键与键槽的尺寸 (mm)

10 Dimension of Parallel Key and Keyway (mm)

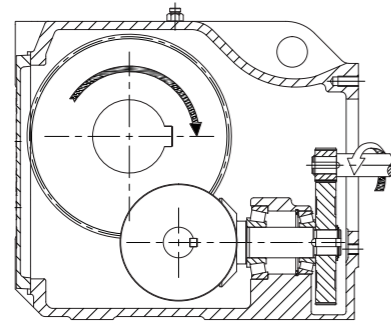


| d             | b  | h  | t1  | d + t2   |
|---------------|----|----|-----|----------|
| 8 < d ≤ 10    | 3  | 3  | 1.8 | d + 1.4  |
| 10 < d ≤ 12   | 4  | 4  | 2.5 | d + 1.8  |
| 12 < d ≤ 17   | 5  | 5  | 3   | d + 2.3  |
| 17 < d ≤ 22   | 6  | 6  | 3.5 | d + 2.8  |
| 22 < d ≤ 30   | 8  | 7  | 4   | d + 3.3  |
| 30 < d ≤ 38   | 10 | 8  | 5   | d + 3.3  |
| 38 < d ≤ 44   | 12 | 8  | 5   | d + 3.3  |
| 44 < d ≤ 50   | 14 | 9  | 5.5 | d + 3.8  |
| 50 < d ≤ 58   | 16 | 10 | 6   | d + 4.3  |
| 58 < d ≤ 65   | 18 | 11 | 7   | d + 4.4  |
| 65 < d ≤ 75   | 20 | 12 | 7.5 | d + 4.9  |
| 75 < d ≤ 85   | 22 | 14 | 9   | d + 5.4  |
| 85 < d ≤ 95   | 25 | 14 | 9   | d + 5.4  |
| 95 < d ≤ 110  | 28 | 16 | 10  | d + 6.4  |
| 110 < d ≤ 130 | 32 | 18 | 11  | d + 7.4  |
| 130 < d ≤ 150 | 36 | 20 | 12  | d + 8.4  |
| 150 < d ≤ 170 | 40 | 22 | 13  | d + 9.4  |
| 170 < d ≤ 200 | 45 | 25 | 15  | d + 10.4 |
| 200 < d ≤ 230 | 50 | 28 | 17  | d + 11.4 |
| 230 < d ≤ 260 | 56 | 32 | 20  | d + 12.4 |

### 11. 可选附件和指定配置

#### 11.1 齿轮常规安装

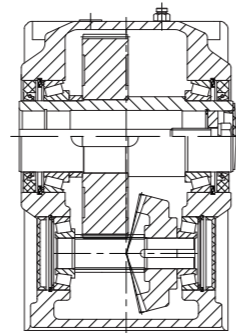
常规供货无需说明



### 11. Accessories and Specific Configuration

#### 11.1 Conventional Installation of Gear

Standard Installation do not have to be indicated

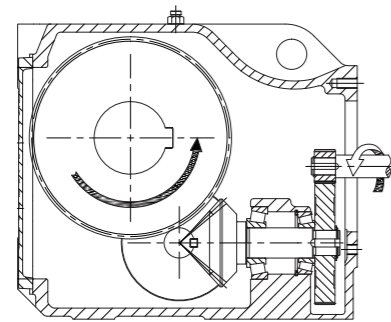


| 逆止器选项和 K 系列输出形式关系 |   | Relationship of backstop & K series output mode |              |
|-------------------|---|---|--------------|
| 输出形式 Output mode  | 输出轴旋向(面向输出轴端面) Output shaft rotational direction(when facing to it) |   | 逆止器 Backstop |
| A/D/G/I/K         | CW  |   | P            |
|                   | CCW   |   | Q            |
| B/E/H/J/L         | CW  |   | Q            |
|                   | CCW   |   | P            |

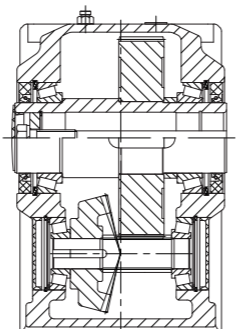
注意: CW为顺时针, CCW为逆时针  
P为逆止器顺时针, Q为逆止器逆时针

Attention: CW is clockwise while CCW is counter-clockwise.  
P is clockwise for the backstop, Q is counter-clockwise.

#### 11.2 齿轮非常规安装



#### 11.2 Unconventional Installation of Gear



| 逆止器选项和 K 系列输出形式关系(非常规安装) |   | Relationship of backstop & K series output mode (for Unconventional Installation of Gear) |              |
|--------------------------|---|---|--------------|
| 输出形式 Output mode         | 输出轴旋向(面向输出轴端面) Output shaft rotational direction(when facing to it) |   | 逆止器 Backstop |
| A/D/G/I/K                | CW  |   | Q            |
|                          | CCW   |   | P            |
| B/E/H/J/L                | CW  |   | P            |
|                          | CCW   |   | Q            |

注意: 齿轮非常规安装情况下, 逆止器和输出轴旋向关系与常规安装时结果相反!  
CW为顺时针, CCW为逆时针  
P为逆止器顺时针, Q为逆止器逆时针

Attention: With unconventional installation of gear, relationship of backstop and output modes should be opposite of conventional installation results!  
CW is clockwise while CCW is counter-clockwise.  
P is clockwise for the backstop, Q is counter-clockwise.

#### 11.3 补偿油箱 (代号6)

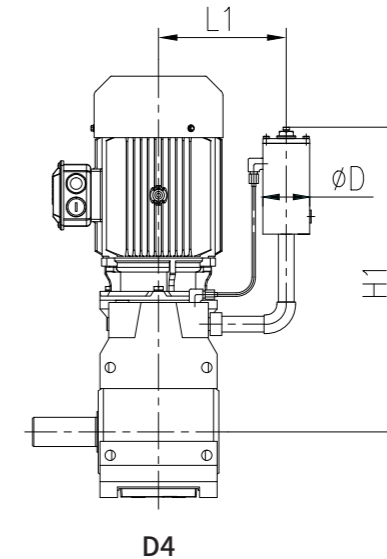
齿轮马达在以下工况时采用补偿油箱润滑:

1. 安装方位为D4时, 出厂标配补偿油箱;

#### 11.3 Oil Compensating Tank (Code 6)

Oil compensating tank lubrication is configured for gearmotors under working conditions below:

1. When mounting position is D4, oil compensating tank has been installed before delivery;



| Size | D   | L1  | H1  |
|------|-----|-----|-----|
| K303 | 42  | 100 | 315 |
| K304 | 42  | 115 | 340 |
| K305 | 42  | 120 | 345 |
| K306 | 42  | 120 | 345 |
| K307 | 80  | 160 | 520 |
| K308 | 80  | 175 | 585 |
| K309 | 80  | 200 | 595 |
| K310 | 120 | 270 | 750 |
| K312 | 120 | 305 | 810 |
| K315 | 120 | 325 | 800 |
| K316 | 120 | 340 | 945 |
| K318 | 120 | 365 | 945 |

**12 润滑油(L)**  
12.1 K303~K318

**12 Oil (L)**  
12.1 K303~K318

| Size \ Mounting position | D1  | D2  | D3  | D4  | D5  | D6  |
|--------------------------|-----|-----|-----|-----|-----|-----|
| K303                     | 0.8 | 0.8 | 0.7 | 0.9 | 0.8 | 0.8 |
| K304                     | 1.2 | 1.1 | 1.2 | 1.6 | 1.3 | 1.3 |
| K305                     | 2.2 | 1.7 | 1.2 | 2.5 | 2.1 | 2.1 |
| K306                     | 2.2 | 1.6 | 1.6 | 2.6 | 1.9 | 1.9 |
| K307                     | 2.9 | 3.9 | 3.1 | 5.4 | 4.5 | 4.5 |
| K308                     | 5.2 | 6.6 | 8   | 10  | 8   | 8   |
| K309                     | 11  | 12  | 15  | 19  | 15  | 15  |
| K310                     | 17  | 21  | 25  | 33  | 25  | 24  |
| K312                     | 28  | 37  | 41  | 55  | 41  | 40  |
| K315                     | 50  | 61  | 68  | 90  | 72  | 71  |
| K316                     | 77  | 84  | 109 | 143 | 114 | 110 |
| K318                     | 103 | 113 | 155 | 202 | 158 | 158 |

12.2 K&C组合型

12.2 K&C combi-type

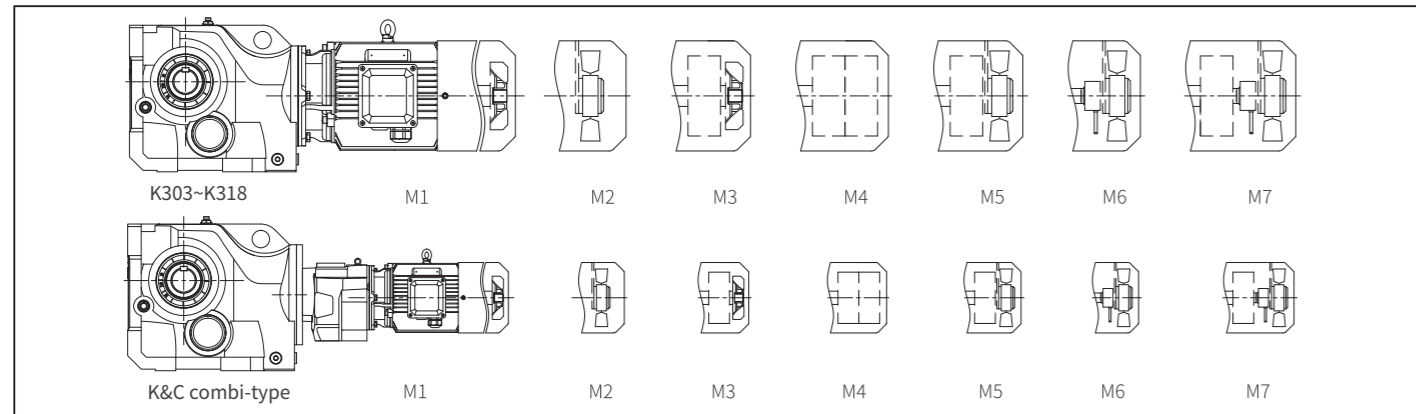
| Size \ Mounting position | D1      | D2       | D3       | D4       | D5       | D6       |
|--------------------------|---------|----------|----------|----------|----------|----------|
| K303&C201                | 0.8+0.4 | 0.8+0.4  | 0.7+0.4  | 0.9+0.5  | 0.8+0.4  | 0.8+0.4  |
| K303&C301                | 0.8+0.3 | 0.8+0.3  | 0.7+0.3  | 0.9+0.4  | 0.8+0.3  | 0.8+0.3  |
| K304&C203                | 1.2+0.4 | 1.1+1    | 1.2+1.1  | 1.6+1.2  | 1.3+0.9  | 1.3+1.1  |
| K304&C303                | 1.2+0.3 | 1.1+0.9  | 1.2+0.9  | 1.6+1    | 1.3+0.8  | 1.3+0.9  |
| K305&C203                | 2.2+0.4 | 1.7+1    | 1.2+1.1  | 2.5+1.2  | 2.1+0.9  | 2.1+1.1  |
| K305&C303                | 2.2+0.3 | 1.7+0.9  | 1.2+0.9  | 2.5+1    | 2.1+0.8  | 2.1+0.9  |
| K306&C203                | 2.2+0.4 | 1.6+1    | 1.6+1.1  | 2.6+1.2  | 1.9+0.9  | 1.9+1.1  |
| K306&C303                | 2.2+0.3 | 1.6+0.9  | 1.6+0.9  | 2.6+1    | 1.9+0.8  | 1.9+0.9  |
| K307&C203                | 2.9+0.4 | 3.9+1    | 3.1+1.1  | 5.4+1.2  | 4.5+0.9  | 4.5+1.1  |
| K307&C303                | 2.9+0.3 | 3.9+0.9  | 3.1+0.9  | 5.4+1    | 4.5+0.8  | 4.5+0.9  |
| K308&C205                | 5.2+1.5 | 6.6+1.7  | 8+1.8    | 10+1.8   | 8+2.6    | 8+2.5    |
| K308&C305                | 5.2+1.3 | 6.6+1.4  | 8+1.5    | 10+1.5   | 8+2.2    | 8+2.1    |
| K309&C205                | 11+1.5  | 12+1.7   | 15+1.8   | 19+1.8   | 15+2.6   | 15+2.5   |
| K309&C305                | 11+1.3  | 12+1.4   | 15+1.5   | 19+1.5   | 15+2.2   | 15+2.1   |
| K310&C207                | 17+2    | 21+2.9   | 25+2.8   | 33+3.1   | 25+3.6   | 24+3.5   |
| K310&C307                | 17+1.7  | 21+2.5   | 25+2.4   | 33+2.6   | 25+3.1   | 24+3     |
| K312&C207                | 28+2    | 37+2.9   | 41+2.8   | 55+3.1   | 41+3.6   | 40+3.5   |
| K312&C208                | 28+2.6  | 37+7.1   | 41+7.5   | 55+8.1   | 41+6.6   | 40+7.2   |
| K303&C307                | 28+1.7  | 37+2.5   | 41+2.4   | 55+2.6   | 41+3.1   | 40+3     |
| K315&C209                | 50+3.9  | 61+6.4   | 68+5.5   | 90+6     | 72+7.8   | 71+7.5   |
| K315&C210                | 50+6.5  | 61+16.8  | 68+17.4  | 90+19.7  | 72+13.7  | 71+17.1  |
| K315&C309                | 50+3.3  | 61+5.4   | 68+4.7   | 90+5.1   | 72+6.6   | 71+6.4   |
| K316&C209                | 77+7.8  | 84+9.7   | 109+9.5  | 143+10.1 | 114+13.1 | 110+12.8 |
| K316&C210                | 77+6.5  | 84+16.8  | 109+17.4 | 143+19.7 | 114+13.7 | 110+17.1 |
| K316&C309                | 77+6.6  | 84+8.2   | 109+8.1  | 143+8.6  | 114+11.1 | 110+10.9 |
| K318&C209                | 103+7.8 | 113+9.7  | 155+9.5  | 202+10.1 | 158+13.1 | 158+12.8 |
| K318&C210                | 103+6.5 | 113+16.8 | 155+17.4 | 202+19.7 | 158+13.7 | 158+17.1 |
| K318&C309                | 103+6.6 | 113+8.2  | 155+8.1  | 202+8.6  | 158+11.1 | 158+10.9 |

注:K和C组合产品需分别加注润滑油

Attention: Please supply lubricant oil for both K part and C part of the combination

### 13 重量表

#### 13.1 齿轮箱及直连马达重量表 (Kg)



M1: 自扇冷却  
M2: 强冷风机  
M3: 制动器+自扇冷却  
M4: 双制动器  
M5: 制动器+强冷风机  
M6: 编码器+强冷风机  
M7: 制动器+编码器+强冷风机

### 13 Weight

#### 13.1 Weight of Gearbox & Directly-connected Motor (kg)

M1: Self-fan cooling  
M2: Driven fan  
M3: Brake+Self-fan cooling  
M4: Double brake  
M5: Brake+Driven fan  
M6: Encoder+Driven fan  
M7: Brake+Encoder+Driven fan

齿轮箱重量表 (Kg)

Weight of Gearbox

| 规格 Size   | K303                   | K304                   | K305                   | K306                   | K307                   | K308                   |
|-----------|------------------------|------------------------|------------------------|------------------------|------------------------|------------------------|
| 重量 Weight | 14                     | 23                     | 32                     | 39                     | 67                     | 108                    |
| 规格 Size   | K309                   | K310                   | K312                   | K315                   | K316                   | K318                   |
| 重量 Weight | 174                    | 280                    | 496                    | 759                    | 1300                   | 1688                   |
| 规格 Size   | K303&C201<br>K303&C301 | K304&C203<br>K304&C303 | K305&C203<br>K305&C303 | K306&C203<br>K306&C303 | K307&C203<br>K307&C303 | K308&C205<br>K308&C305 |
| 重量 Weight | 22                     | 32                     | 41                     | 48                     | 76                     | 128                    |
| 规格 Size   | K309&C205<br>K309&C305 | K310&C207<br>K310&C307 | K312&C207<br>K312&C307 | K315&C209<br>K315&C309 | K316&C209<br>K316&C309 | K318&C209<br>K318&C309 |
| 重量 Weight | 194                    | 316                    | 532                    | 825                    | 1420                   | 1808                   |

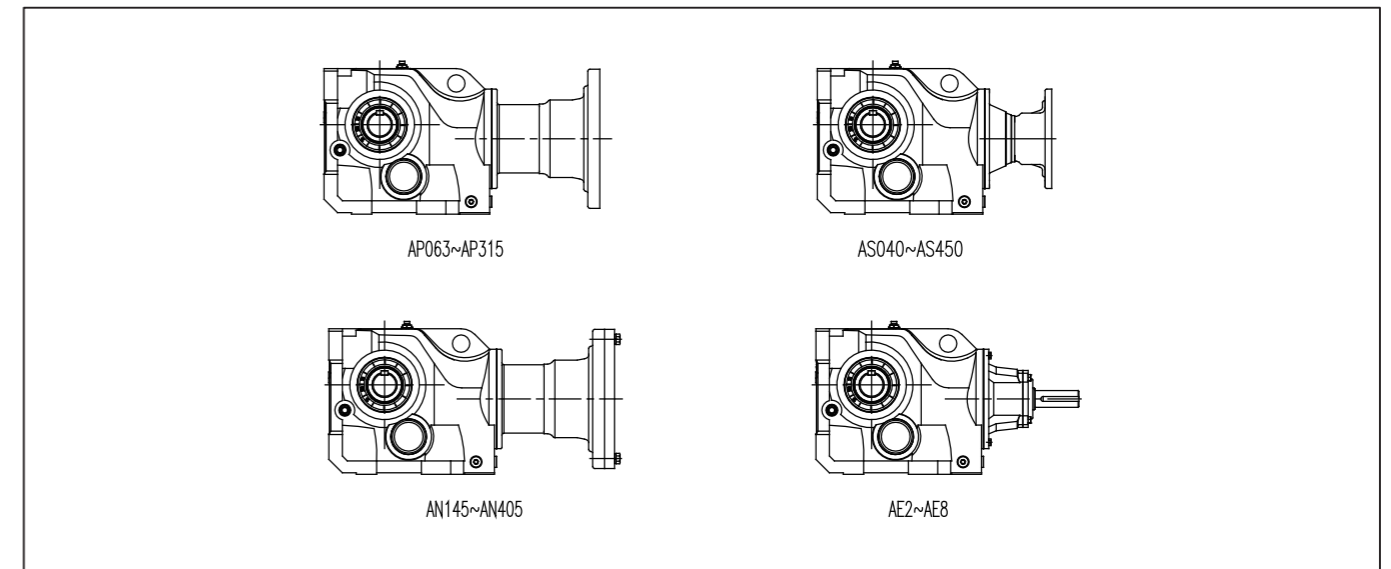
直连马达重量表 (Kg)

Weight of Directly-connected Motor (kg)

| 4-pole Power | MP  |     |     |     |     |     | MU  |      |     |     |      |     |
|--------------|-----|-----|-----|-----|-----|-----|-----|------|-----|-----|------|-----|
|              | M1  | M2  | M3  | M5  | M6  | M7  | M1  | M2   | M3  | M5  | M6   | M7  |
| 0.12         | 7   | 8   | 9   | 9   | /   | /   | 7.5 | 8    | 9   | 9.5 | /    | /   |
| 0.18         | 8   | 9   | 10  | 10  | /   | /   | 7.5 | 8    | 9   | 9.5 | /    | /   |
| 0.25         | 9   | 10  | 11  | 12  | 11  | 13  | 9.5 | 10.5 | 11  | 12  | 11   | 13  |
| 0.37         | 10  | 11  | 12  | 13  | 12  | 14  | 15  | 16   | 19  | 20  | 16.5 | 21  |
| 0.55         | 15  | 16  | 19  | 20  | 17  | 21  | 16  | 17   | 20  | 21  | 17.5 | 22  |
| 0.75         | 16  | 17  | 20  | 21  | 18  | 22  | 20  | 21   | 24  | 25  | 21.5 | 26  |
| 1.1          | 20  | 21  | 24  | 25  | 22  | 26  | 22  | 23   | 26  | 27  | 23.5 | 28  |
| 1.5          | 22  | 23  | 26  | 27  | 24  | 28  | 31  | 32   | 39  | 40  | 33   | 41  |
| 2.2          | 32  | 33  | 40  | 41  | 34  | 42  | 34  | 35   | 42  | 43  | 36   | 44  |
| 3            | 36  | 37  | 44  | 45  | 38  | 46  | 55  | 57   | 63  | 64  | 58   | 65  |
| 4            | 56  | 57  | 64  | 65  | 58  | 66  | 75  | 77   | 87  | 89  | 78   | 90  |
| 5.5          | 77  | 79  | 88  | 90  | 80  | 91  | 78  | 80   | 89  | 91  | 81   | 92  |
| 7.5          | 88  | 90  | 99  | 101 | 91  | 102 | 128 | 130  | 149 | 151 | 131  | 152 |
| 11           | 129 | 131 | 150 | 151 | 132 | 152 | 160 | 162  | 181 | 183 | 163  | 184 |
| 15           | 161 | 163 | 182 | 183 | 164 | 184 | 198 | 200  | 230 | 232 | 201  | 234 |
| 18.5         | 200 | 202 | 232 | 233 | 203 | 235 | 218 | 220  | 250 | 252 | 221  | 254 |
| 22           | 220 | 222 | 252 | 253 | 223 | 255 | 279 | 280  | 329 | 330 | 281  | 332 |
| 30           | 280 | 280 | 330 | 328 | 281 | 330 | 343 | 345  | 393 | 394 | 346  | 396 |
| 37           | 345 | 347 | 395 | 396 | 349 | 398 | 365 | 367  | 415 | 416 | 368  | 418 |
| 45           | 365 | 367 | 415 | 416 | 369 | 418 | 467 | 469  | 572 | 573 | 470  | 575 |
| 55           | 470 | 471 | 575 | 570 | 471 | 572 | 627 | 629  | 732 | 734 | 630  | 736 |
| 75           | 630 | 632 | 735 | 733 | 633 | 735 | 650 | 652  | 755 | 757 | 653  | 759 |
| 90           | 710 | 712 | 815 | 813 | 713 | 815 | 720 | 722  | 825 | 827 | 723  | 829 |

#### 13.2 输入法兰及输入轴重量表 (Kg)

#### 13.2 Weight of Input Flange & Input Shaft (kg)



AP输入法兰重量表 (kg)

Weight of AP Input Flange (kg)

| 规格 Size   | AP063 | AP071 | AP080 | AP090 | AP100 | AP112 | AP132 |
|-----------|-------|-------|-------|-------|-------|-------|-------|
| 重量 Weight | 5     | 5     | 9     | 11    | 18    | 18    | 30    |
| 规格 Size   | AP160 | AP180 | AP200 | AP225 | AP250 | AP280 | AP315 |
| 重量 Weight | 70    | 70    | 95    | 107   | 144   | 144   | 263   |

AS输入法兰重量表 (kg)

Weight of AS Input Flange (kg)

| 规格 Size   | AS040 | AS055 | AS060 | AS070 | AS080 | AS090 | AS100 | AS125 |
|-----------|-------|-------|-------|-------|-------|-------|-------|-------|
| 重量 Weight | 3     | 3     | 4     | 5     | 5     | 5     | 6     | 7     |
| 规格 Size   | AS140 | AS160 | AS180 | AS190 | AS240 | AS260 | AS315 | AS450 |
| 重量 Weight | 6     | 13    | 24    | 25    | 30    | 70    | 95    | 112   |

AN输入法兰重量表 (kg)

Weight of AN Input Flange (kg)

| 规格 Size   | AN145 | AN184 | AN215 | AN256 | AN286 | AN326 | AN365 | AN405 |
|-----------|-------|-------|-------|-------|-------|-------|-------|-------|
| 重量 Weight | 13    | 27    | 43    | 89    | 119   | 140   | 154   | 201   |

AE输入轴重量表 (kg)

Weight of AE Input Shaft (kg)

| 规格 Size   | AE2 | AE3 | AE4 | AE5 | AE6 | AE7 | AE8 |
|-----------|-----|-----|-----|-----|-----|-----|-----|
| 重量 Weight | 4   | 9   | 17  | 46  | 63  | 77  | 101 |

随着技术迭代进步，博能产品样本将会同步更新，请见谅。  
Along with the technology advancedet.,the product of the manual of Boneng will be changed,please forgive.

控制层 CONTROL

驱动层 DRIVE

马达层 MOTOR

齿轮层 GEAR

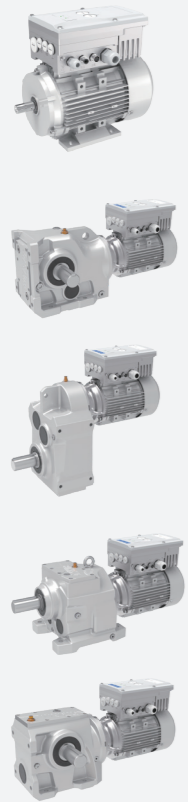


X3010 PLC  
EtherCAT&Modbus  
24VDC



X3050 运动控制器  
Motion Controller  
EtherCAT&Modbus  
24VDC

C/F/K/S-M  
\* . . . D  
马达分布式  
变频驱动器  
Integrated  
Gearmotor  
Drive



EtherCAT&  
Modbus  
380~480VAC  
0.25~3kW  
i=4~355

AM 变频驱动器  
Variable Frequency Drive



Modbus  
380~480VAC  
0.75~5.5kW

A1 变频驱动器  
Variable Frequency Drive



Modbus/CANopen  
/PROFINET  
380~480VAC  
0.75~250kW

C/F/K/S/R  
齿轮马达  
Gearmotor



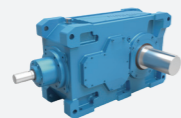
380~480VAC  
0.09~200kW  
i=1.25~500

MP/MU  
三相交流异步马达  
Asynchronous Motor



380~480VAC  
0.09~90kW  
960/1450r/min  
1160/1750r/min

HB/BE/HK  
齿轮箱  
Gearbox



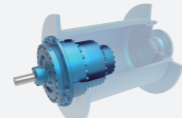
4.2~15775kW  
i=5.6~450

P/PK  
行星齿轮箱  
Planetary  
Gearbox



0.4~14000kW  
i=25~4000

PW  
卷扬齿轮箱  
Planetary  
Winch  
Gearbox



1~1810kW  
i=13~940

PS  
回转齿轮箱  
Planetary  
Slewing  
Gearbox



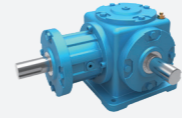
1~1626kW  
i=14~947

J/JB  
升降机  
Jack



0.35~22.63kW  
i=5~34

T  
转向箱  
Spiral Bevel  
Gearbox



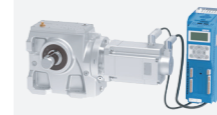
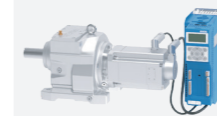
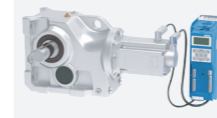
0.08~303kW  
i=1:1~3:1

MX&AX  
伺服马达&伺  
服驱动器  
Permanent  
Magnet  
Servo Motor  
& Servo Drive



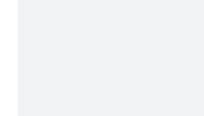
EtherCAT/  
PROFINET  
380~480VAC  
0.28~14kW  
1500/2000r/min  
3000/4500r/min

C/F/K/S-MX  
&AX齿轮伺  
服马达&伺  
服驱动器  
Servo  
Gearmotor  
& Servo Drive



EtherCAT/  
PROFINET  
380~480VAC  
0.28~14kW  
i=1.25~315

PX-MX&AX  
行星伺服马达  
&伺服驱动器  
Planetary  
Precision Gear  
Servo Motor  
& Servo Drive



EtherCAT/  
PROFINET  
380~480VAC  
0.38~14kW  
i=3~100

PN-MN&AN  
行星伺服马达  
&伺服驱动器  
Planetary  
Precision Gear  
Servo Motor  
& Servo Drive



EtherCAT  
PROFINET  
380~480VAC  
0.28~5.03kW  
i=3~100

ME&AN  
永磁同步伺服马  
达&伺服驱动器  
Permanent  
Magnet  
Servo Motor  
& Servo Drive



EtherCAT/  
PROFINET  
200~240VAC  
0.1kW~1.2kW

|  |   |
|--|---|
| <b>博能传动(沈阳)有限公司</b>                              | <b>BONENG TRANSMISSION(SHENYANG)CO.,LTD.</b>  |
| 辽宁省沈阳市沈北新区<br>太平洋工业城A区A73-6号<br>电话: 024-31271571 | No. A73-6, Area A, Pacific Industrial City,<br>Shenbei New District, Shenyang, Liaoning<br>Province, China<br>TEL: 024-31271571 |

|  |   |
|--|---|
| <b>博能传动(天津)有限公司</b>                          | <b>BONENG TRANSMISSION(TIANJIN)CO.,LTD.</b>   |
| 天津市北辰区双海道6号<br>宏鹏工业园7号车间<br>电话: 022-26929556 | 7th Workshop, Hongpeng Industrial Park, No. 6<br>Shuanghai Road, Beichen District, Tianjin<br>City,China<br>TEL: 022-26929556 |

|   |  |
|---|--|
| <b>博能传动(潍坊)有限公司</b>   | <b>BONENG TRANSMISSION(WEIFANG)CO.,LTD.</b>  |
| 山东省潍坊市安丘市经济开发区<br>汶水路与昆仑大街交叉口往北<br>100米路东1号车间<br>电话: 0536-2141166 | 1st Workshop, Economic Development Zone,<br>Anqiu, Weifang City, Shandong Province, China<br>TEL: 0536-2141166 |

|  |   |
|--|---|
| <b>博能传动(开封)有限公司</b>                                | <b>BONENG TRANSMISSION(KAIFENG)CO.,LTD.</b>   |
| 河南省开封市宋城路四大街11号<br>海神机械院内五号厂房<br>电话: 0371-23335238 | 5th Workshop, Haishen Machinery, No.11,<br>Fourth Street, Songcheng Road,New District,<br>Kaifeng City, Henan Province, China<br>TEL: 0371-23335238 |

|   |   |
|---|---|
| <b>博能传动(长沙)有限公司</b>                             | <b>BONENG TRANSMISSION(CHANGSHA)CO.,LTD.</b>  |
| 湖南省长沙市望城经济开发区<br>普瑞大道1288号<br>电话: 0731-88386958 | No. 1288 Puri Avenue, Wangcheng Economic<br>Development Zone, Changsha City, Hunan<br>Province, China<br>TEL: 0731-88386958 |

|   |   |
|---|---|
| <b>博能传动设备(成都)有限公司</b>                                 | <b>BONENG TRANSMISSION EQUIPMENT(CHENGDU) CO., LTD.</b>   |
| 四川省成都市金牛区金牛坝路9号5栋<br>向荣中心A座7楼-703<br>电话: 028-87741100 | 703, 7th Floor, Block A, Xiangrong Center,<br>Building 5, No. 9 Jinniuba Road, Jinniu District,<br>Chengdu City, Sichuan Province, China<br>TEL: 028-87741100 |

|   |   |
|---|---|
| <b>博能传动(肇庆)有限公司</b>   | <b>BONENG TRANSMISSION(ZHAOQING)CO.,LTD.</b>  |
| 广东省肇庆市鼎湖区肇庆新区<br>科创大道7号平谦国际现代产业园<br>一期A12北厂房<br>电话: 0757-86719757 | No. 7 Science and Technology<br>Innovation Avenue, Zhaoqing New Area,<br>Dinghu District, Zhaoqing City,<br>Guangdong Province, China<br>TEL: 0757-86719757 |

|                                       |   |
|---------------------------------------|---|
| <b>博能传动(苏州)有限公司</b>                   | <b>BONENG TRANSMISSION(SUZHOU)CO.,LTD.</b>  |
| 江苏省苏州市相城区如元路100号<br>电话: 0512-66189662 | No. 100, Ruyuan Road, Xiangcheng<br>District, Suzhou, Jiangsu Province, China<br>TEL: 0512-66189662 |

|   |   |
|---|---|
| <b>博能传动(美国)有限公司</b>   | <b>BONENG TRANSMISSION(USA)LLC.</b>   |
| 1250 E 222nd Euclid, OH 44117,<br>United Staes<br>TEL: 1-216-618-0138<br>TEL: 1-216-618-0496<br>TEL: 1-216-618-3099 | 1250 E 222nd Euclid, OH 44117,<br>United Staes<br>TEL: 1-216-618-0138<br>TEL: 1-216-618-0496<br>TEL: 1-216-618-3099 |

|  |  |
|--|--|
| <b>博能传动(印度)有限公司</b>  | <b>BONENG TRANSMISSION(INDIA)PVT.LTD</b>   |
| Plot No. E-10/3, MIDC sinnar<br>(Malegaon) Industrial Area, Nashik,<br>422123, Maharashtra, India.<br>TEL:+91-11- 4507 6293 (DELHI)<br>TEL:+91-22-2781 3385 (MUMBAI) | Plot No. E-10/3, MIDC sinnar<br>(Malegaon) Industrial Area, Nashik,<br>422123, Maharashtra, India.<br>TEL:+91-11- 4507 6293 (DELHI)<br>TEL:+91-22-2781 3385 (MUMBAI) |